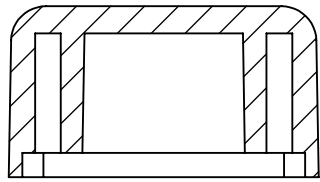


OVERALL ASSEMBLY DIMENSIONS:

EXTERNAL - 29 x 20.5 x 14.3

INTERNAL - 25.5 x 17 x 10.3



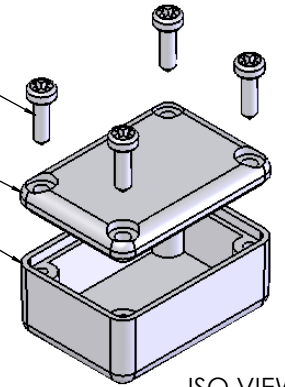
SECTION B-B



SELF TAPPING SCREW

LID

BASE



ISO VIEW
1:1

A

A

B

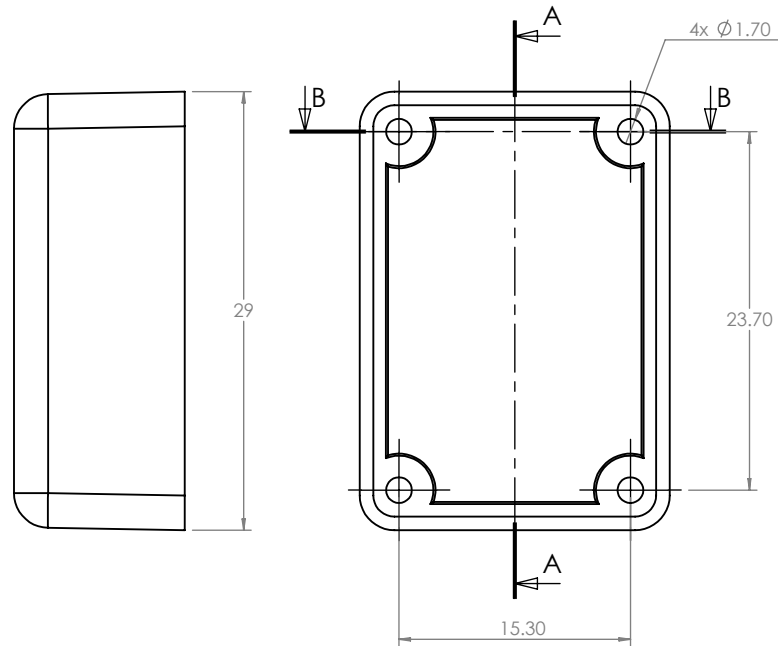
B

C

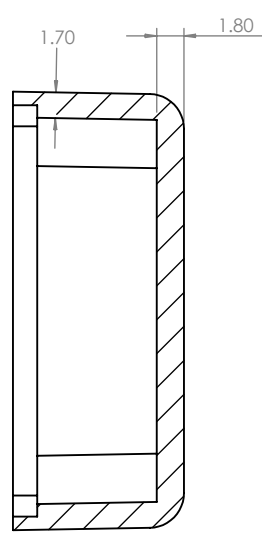
C

D

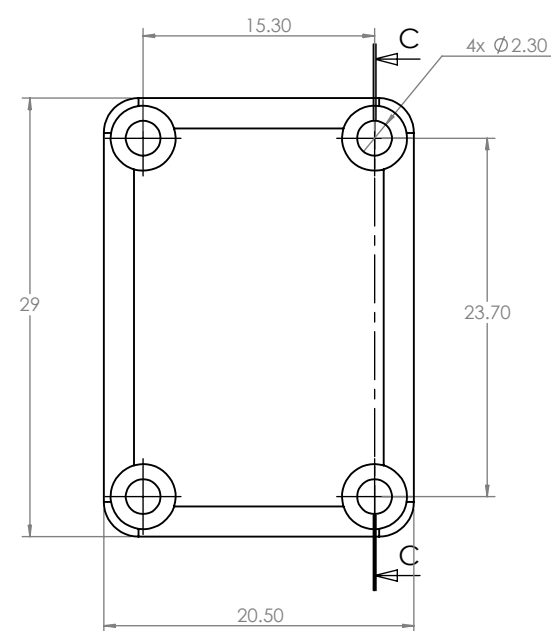
D



BASE

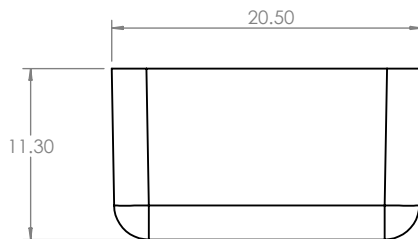




SECTION A-A



LID

SECTION C-C



 CAMDENBOSS JAMES CARTER RD, MILDENHALL, SUFFOLK, IP28 7DE TEL: 01 638 716101 FAX: 01 638 716554 EMAIL: SALES@CAMDENBOSS.COM WEB: www.CAMDENBOSS.COM		UNLESS OTHERWISE SPECIFIED: DIMENSIONS ARE IN MILLIMETERS		DO NOT SCALE DRAWING	REVISION. 0	
		FINISH. LIGHT SPARK		TITLE: ASSEMBLY DRG FOR RX2004		
DRAWN	NAME S.HARDINGE	SIGNED SJH	DATE 30/11/05	MATERIAL. ABS	DWG NO. RX2004	A4
CHKD	-	-	-	PROJECTION. 	SCALE. 2 : 1	SHEET 1 OF 1