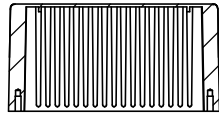


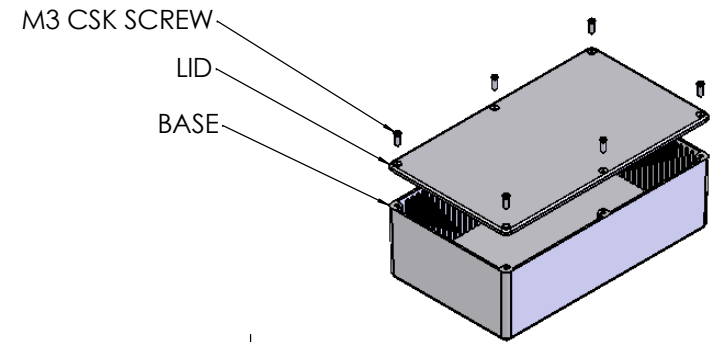
OVERALL ASSEMBLY DIMENSIONS:

EXTERNAL - 191.6 x 111.6 x 60.5

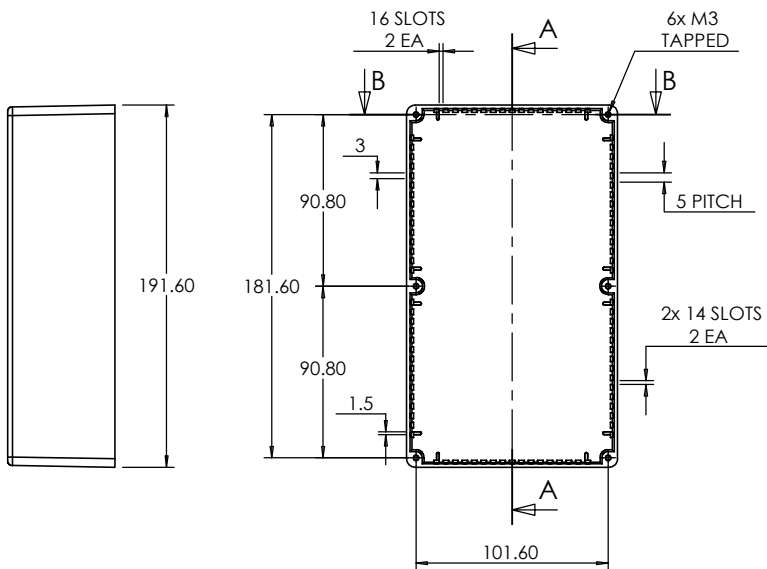
INTERNAL 188 x 108 x 56.3



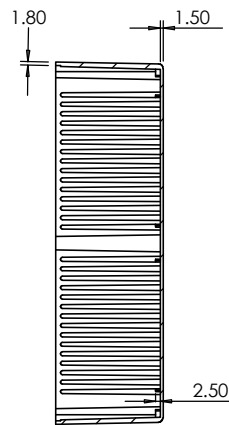
SECTION B-B



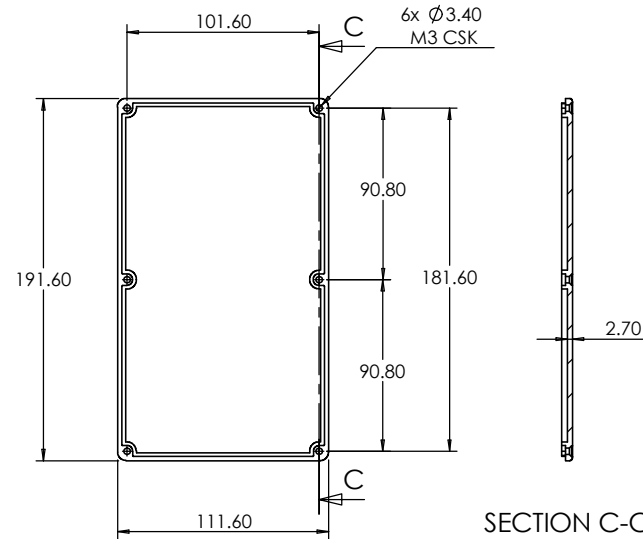
ISO VIEW  
1:5



BASE

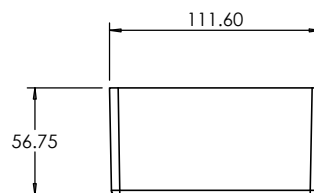



SECTION A-A



SECTION C-C

LID



 <b>CAMDENBOSS</b> JAMES CARTER RD, MILDENHALL, SUFFOLK, IP28 7DE TEL: 01638 716101 FAX: 01638 716554 EMAIL: Sales@CamdenBoss.com WEB: www.CamdenBoss.com				UNLESS OTHERWISE SPECIFIED: DIMENSIONS ARE IN MILLIMETERS		DO NOT SCALE DRAWING		REVISION. 0	
				FINISH: <b>SMOOTH</b>		TITLE: <b>ASSEMBLY DRG FOR 5006/16</b>			
				MATERIAL: DIE-CAST ALUMINIUM		DWG NO. <b>5006,16</b>		A4	
DRAWN S.HARDINGE		SIGNED SJH		DATE 07/12/05		SCALE: 1:4		SHEET 1 OF 1	
CHKD -		-		-		PROJECTION. 