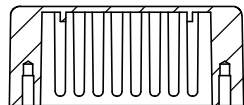


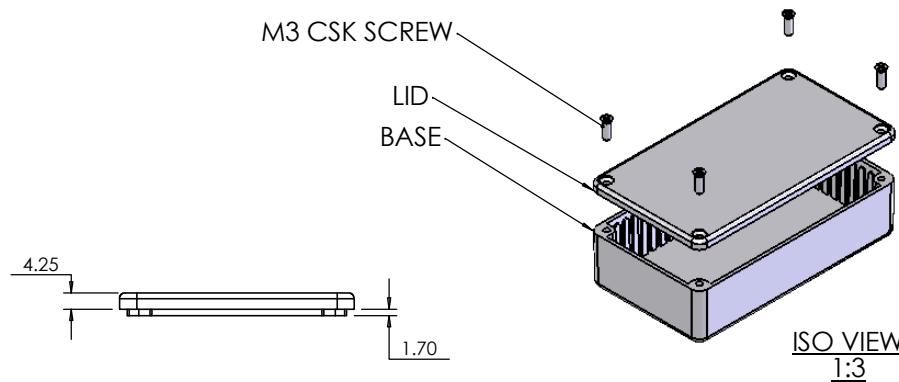
OVERALL ASSEMBLY DIMENSIONS:

EXTERNAL - 112 x 62 x 30.5

INTERNAL - 108.4 x 58.4 x 26.3



SECTION B-B

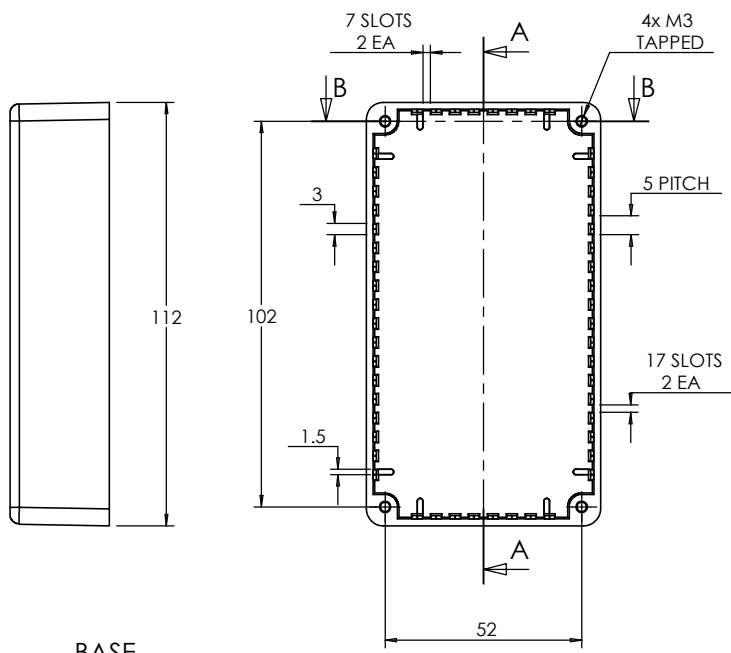


ISO VIEW
1:3

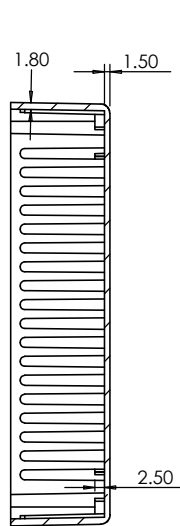
M3 CSK SCREW

LID

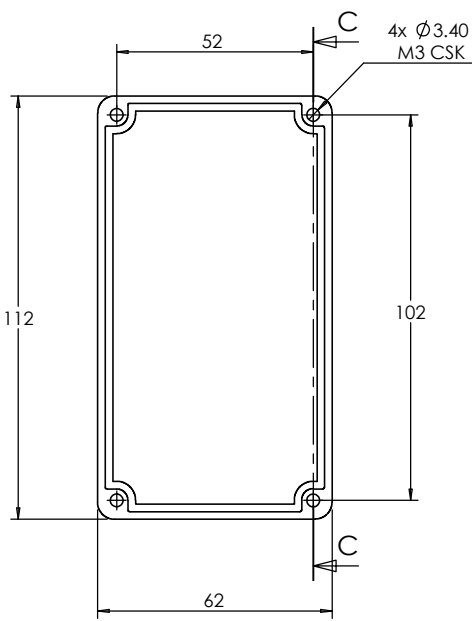
BASE



BASE

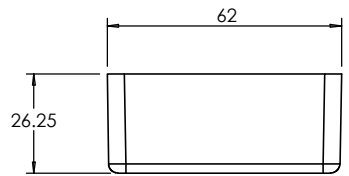



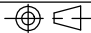
SECTION A-A



SECTION C-C

LID



 CAMDENBOSS JAMES CARTER RD, MILDENHALL, SUFFOLK, IP28 7DE TEL: 01638 716101 FAX: 01638 716554 EMAIL: Sales@CamdenBoss.com WEB: www.CamdenBoss.com				UNLESS OTHERWISE SPECIFIED: DIMENSIONS ARE IN MILLIMETERS		DO NOT SCALE DRAWING		REVISION. 0	
				FINISH. SMOOTH		TITLE: ASSEMBLY DRG FOR 5003/13			
DRAWN S.HARDINGE		SIGNED SJH		DATE 06/12/05		MATERIAL. DIE-CAST ALUMINIUM		DWG NO. 5003,13	
CHK'D -		-		-		PROJECTION. 		SCALE. 1 : 2	
								SHEET 1 OF 1	

A4