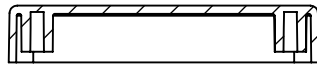


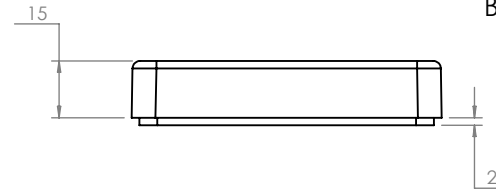
OVERALL ASSEMBLY DIMENSIONS:

EXTERNAL - 144 x 82 x 30

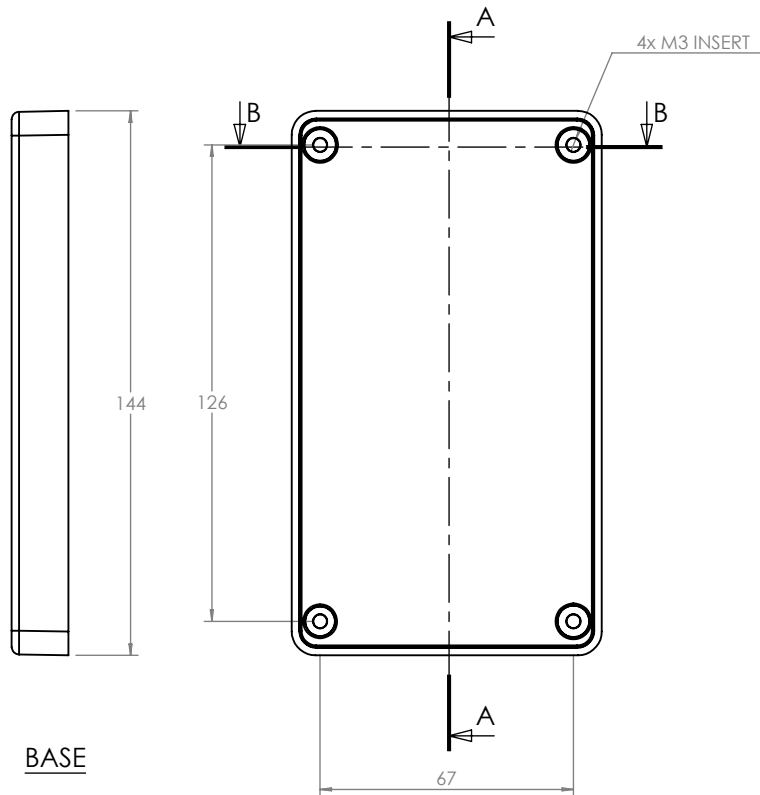
INTERNAL - 137.6 x 75.6 x 25.6



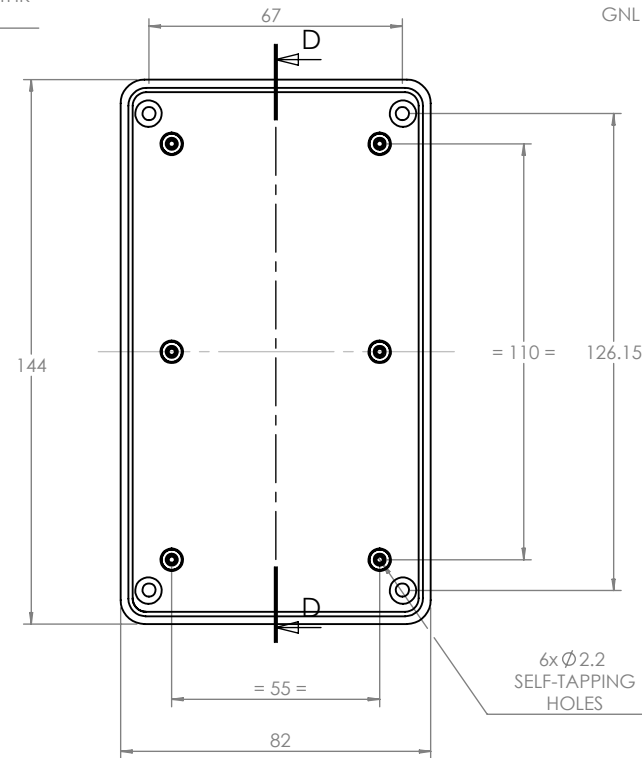
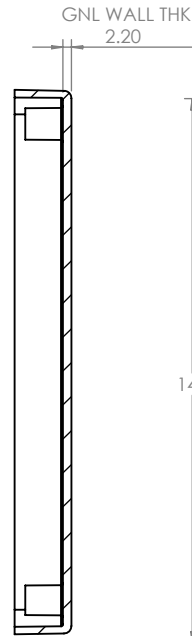
SECTION B-B



SECTION A-A



BASE



LID

M3 CSK SCREW

LID



BASE

GNL WALL THK  
3.2

ISO VIEW  
1:3

4.50 TYP  
PILLAR  
HEIGHT

6x Ø2.2  
SELF-TAPPING  
HOLES

 <b>CAMDENBOSS</b> JAMES CARTER RD, MILDENHALL, SUFFOLK, IP28 7DE TEL: 01 638 716101 FAX: 01 638 716554 EMAIL: SALES@CAMDENBOSS.COM WEB: WWW.CAMDENBOSS.COM				UNLESS OTHERWISE SPECIFIED: DIMENSIONS ARE IN MILLIMETERS		DO NOT SCALE DRAWING		REVISION. A 06/04/10	
				FINISH. <b>SMOOTH</b>		TITLE: <b>ASSEMBLY DRG FOR 2030/30</b>			
DRAWN S.HARDINGE		SIGNED SJH		DATE 07/10/05		MATERIAL. <b>ABS</b>		DWG NO. <b>2030,30</b>	
CHKD -		-		-		PROJECTION. 		SCALE: 1 : 2	
								SHEET 1 OF 1	

1

2

3

A4