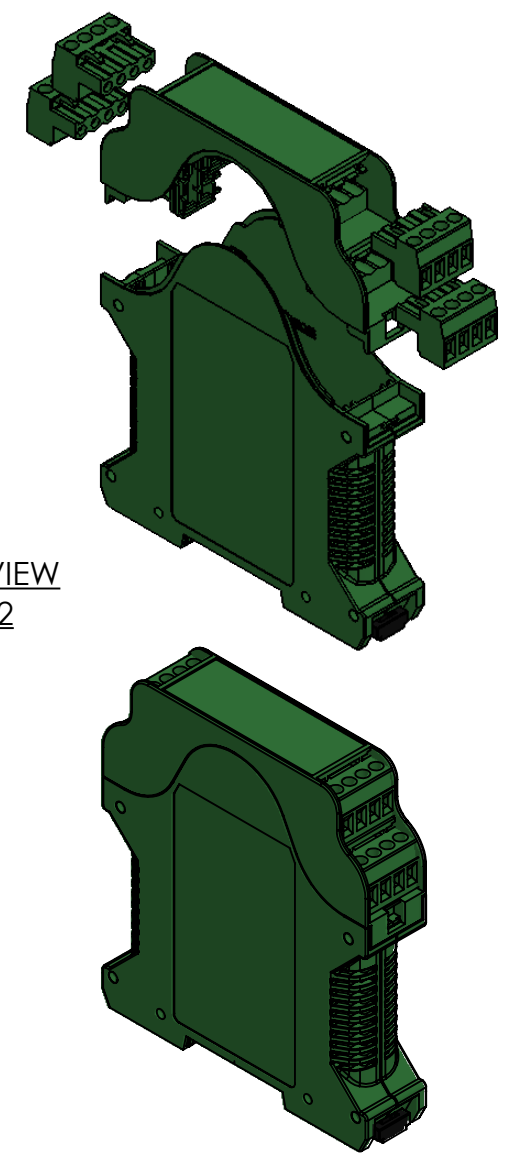



ISO VIEW
1:2



 CAMDENBOSS JAMES CARTER RD, MILDENHALL, SUFFOLK. IP28 7DE TEL: 01638 716101 FAX: 01638 716554 EMAIL: Sales@CamdenBoss.com WEB: www.CamdenBoss.com		UNLESS OTHERWISE SPECIFIED: DIMENSIONS ARE IN MILLIMETERS		DO NOT SCALE DRAWING		REVISION. B	
		GENERAL TOLERANCES +/- 0.2		TITLE: DIMENSION DRAWING FOR SOLID WALLED CVB-PLUS			
		FINISH. LIGHT SPARK		MATERIAL. PC UL 94 - V0		DWG NO. CVB-PLUS1V	
DRAWN IAN PAGANO		SIGNED I.P.		DATE 19/02/15		SCALE: 1:2	
CHK'D DAN SMALLEY		SIGNED D.S.		DATE 29/06/16		SHEET 1 OF 2	

A4

13.70 O/ALL

11.25

A

B

C

D

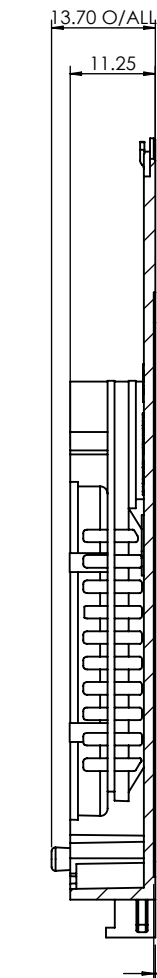
A

B

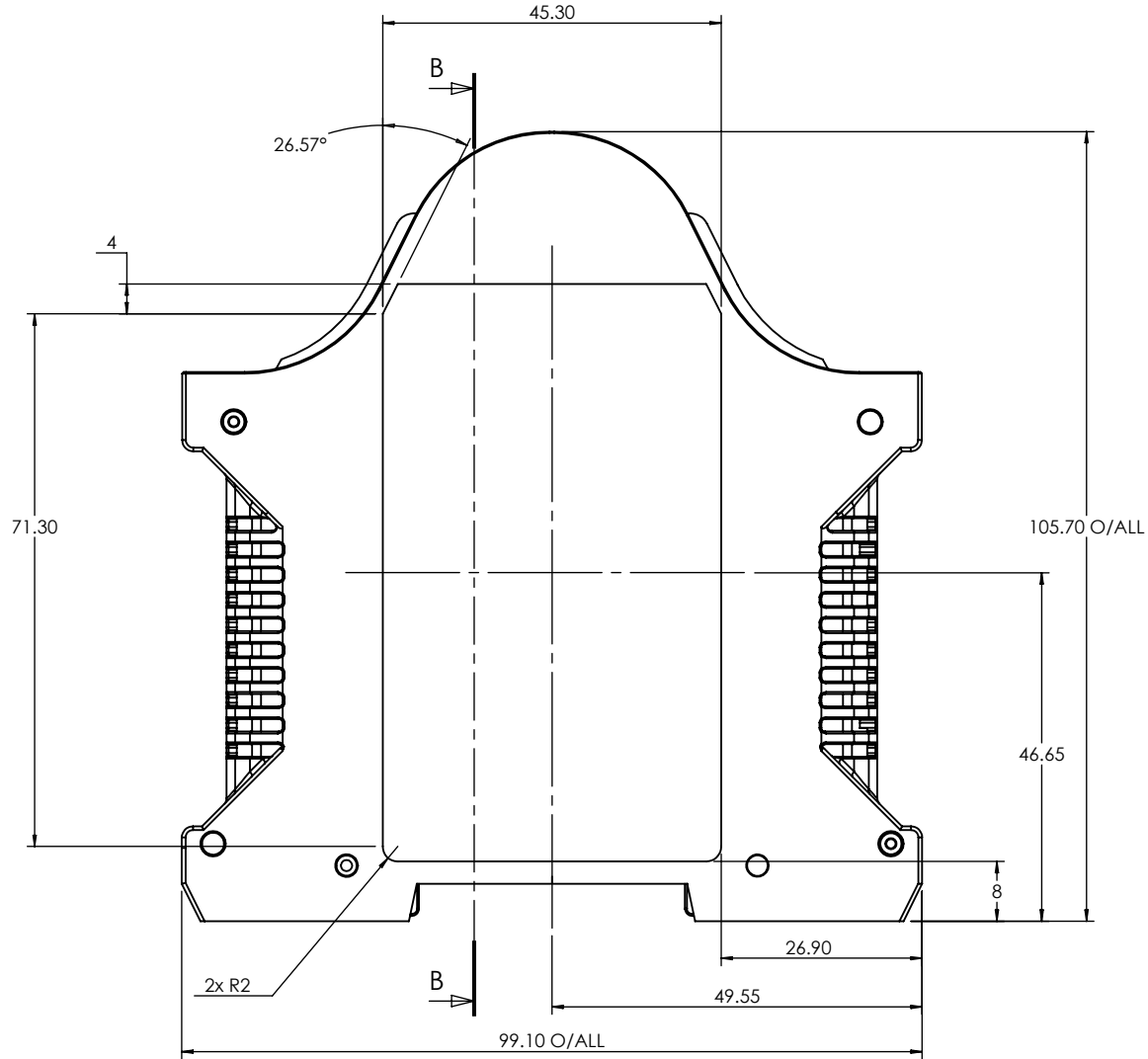
C

D

1 2 3 4 5 6



SECTION B-B
SCALE 1 : 1



CAMDENBOSS
ELECTRONICS & ENCLOSURES

JAMES CARTER RD, MILDENHALL, SUFFOLK. IP28 7DE
TEL: 01638 716101 FAX: 01638 716554
EMAIL: Sales@CamdenBoss.com
WEB: www.CamdenBoss.com

UNLESS OTHERWISE SPECIFIED:
DIMENSIONS ARE IN MILLIMETERS

GENERAL TOLERANCES +/- 0.2

FINISH. LIGHT SPARK

MATERIAL. PA 66 UL 94 - V0

PROJECTION.

DO NOT SCALE DRAWING

REVISION. **B**

TITLE:
**DIMENSION DRAWING FOR SOLID
WALLED CVB-PLUS**

DWG NO. **CVB-PLUS1V** **A4**

	NAME	SIGNED	DATE
DRAWN	IAN PAGANO	I.P.	19/02/15
CHK'D	DAN SMALLEY	D.S.	29/06/16

SCALE: 1:2 SHEET 2 OF 2

1 2 3