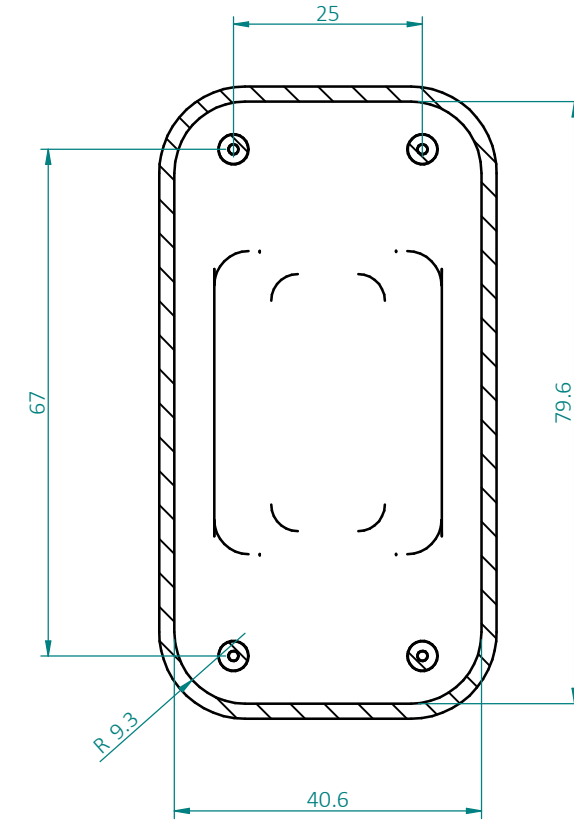
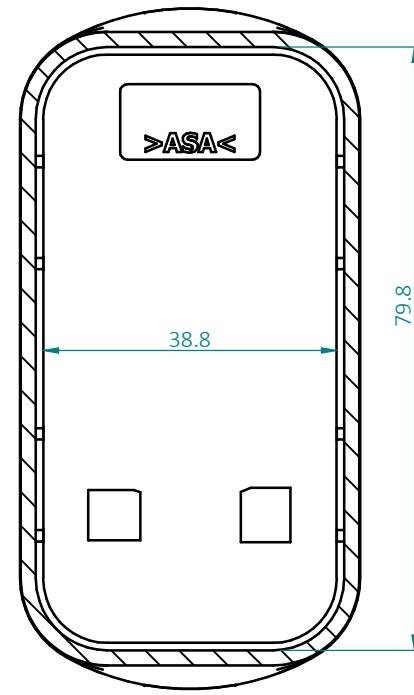
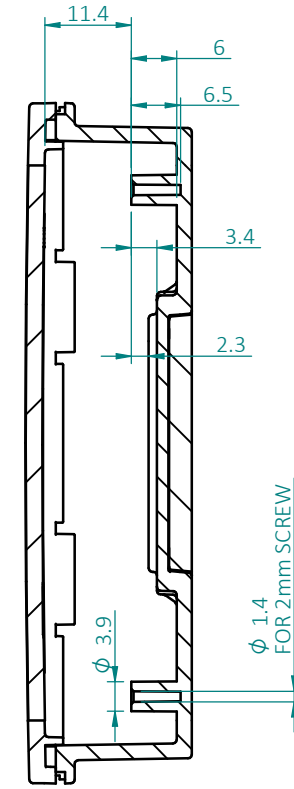
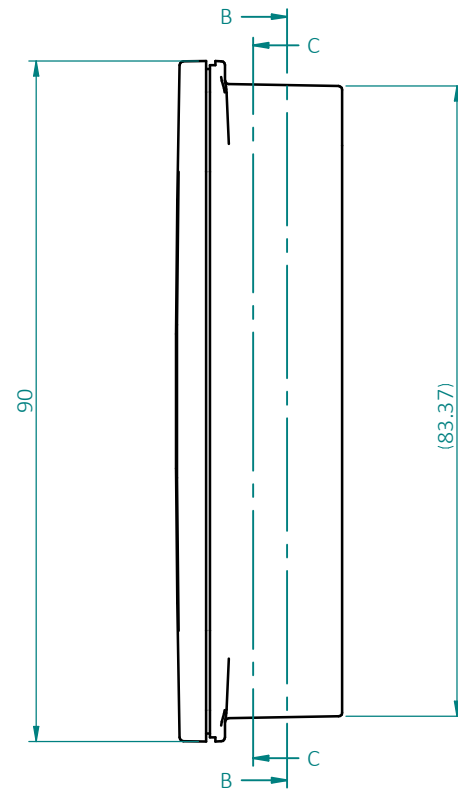
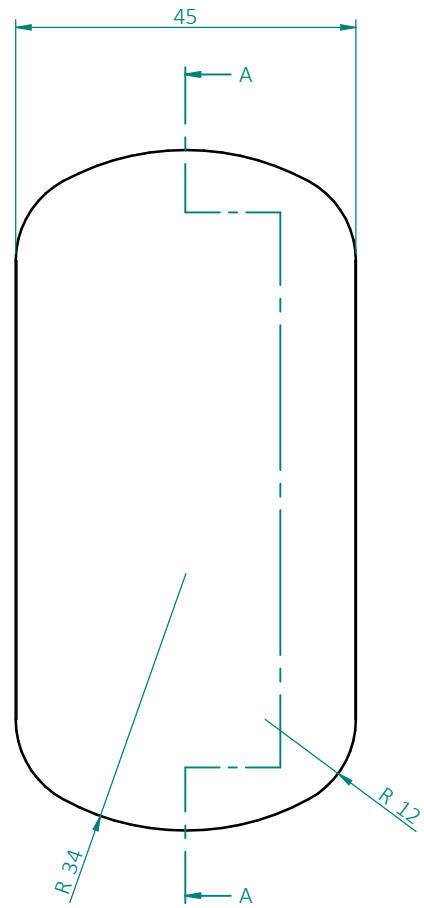


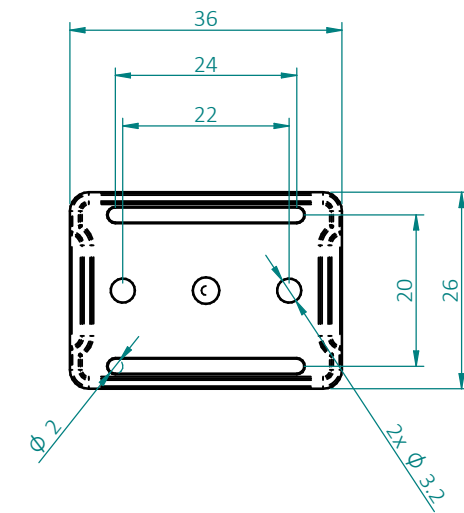
SECTION C-C
COVER DETAIL



SECTION B-B
BASE DETAIL



SECTION A-A



WALL BRACKET

REVISION	DATE	ECR	DESCRIPTION	IPAGAND NAME	S.HARDINGE CHECKED
-	-	-	-	-	-
-	-	-	-	-	-
-	-	-	-	-	-
A	09/12/22	-	FIRST DRAWN	IPAGAND	S.HARDINGE

CAMDENBOSS
CONNECT. ENCLOSE. INNOVATE.

DRAWING UNITS: MILLIMETERS
TOLERANCES: SEE CRITICAL DIMENSIONS

PROJECTION

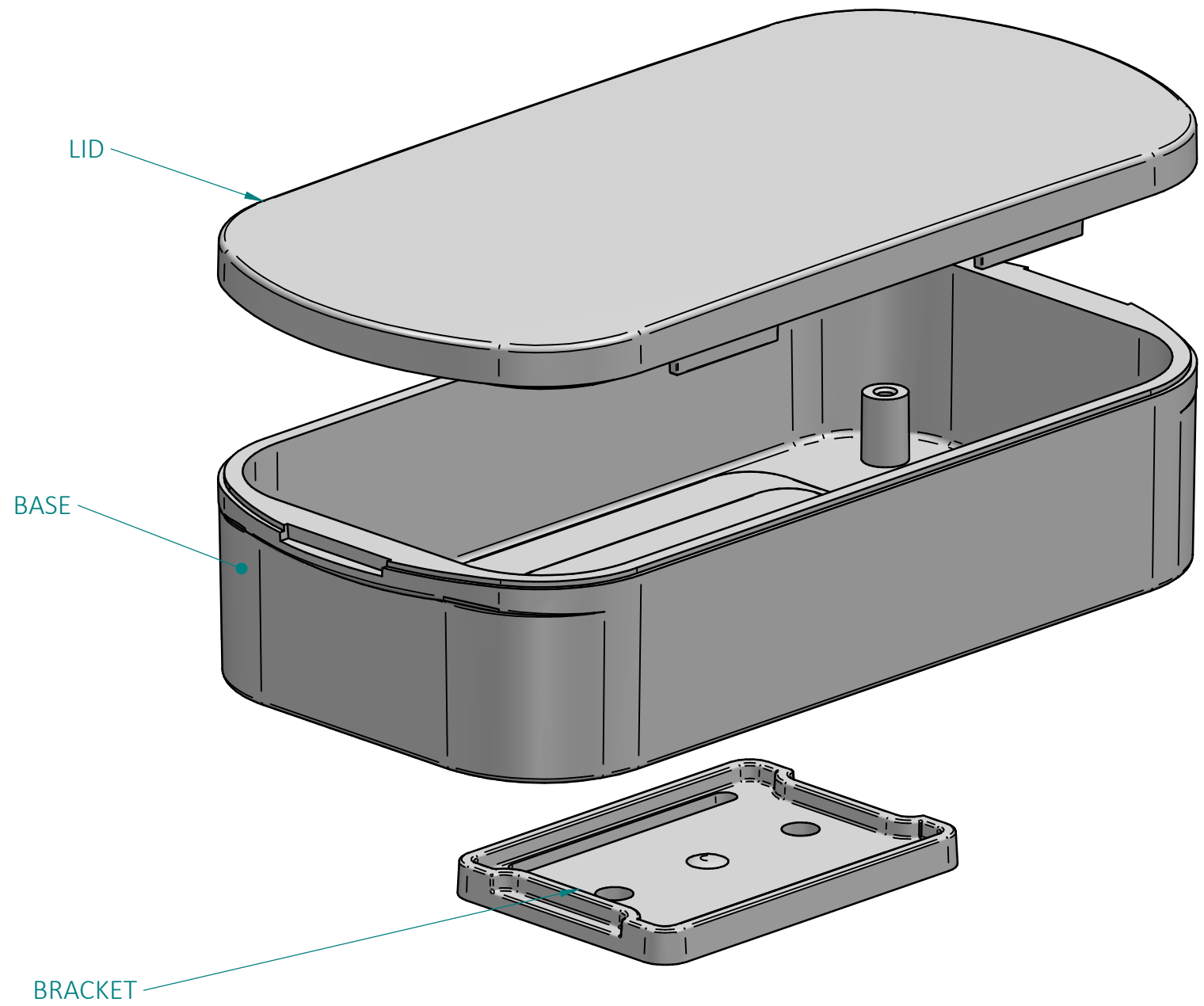
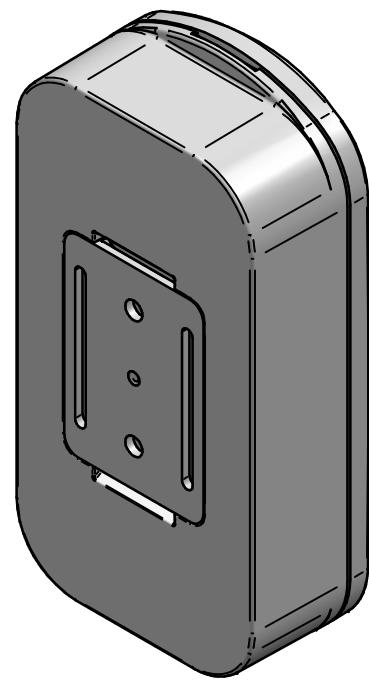
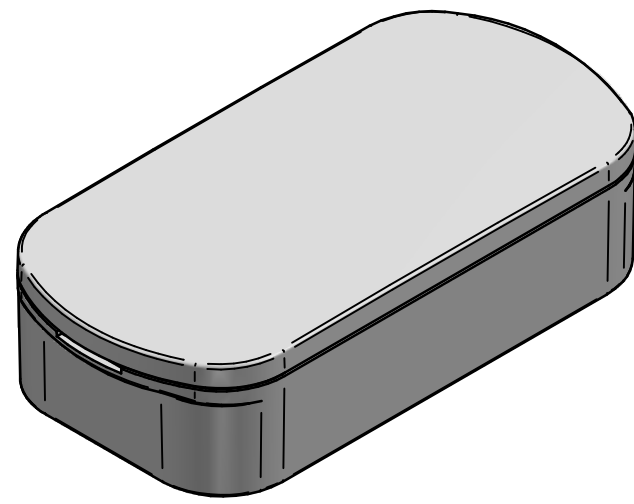
COLOUR: WHITE
FINISH: GLOSS
MATERIAL: ASA - UL 94 HB

GAUGE: DO NOT SCALE DRAWING
DEBURR AND BREAK SHARP EDGES

TITLE: WALL MOUNT SMALL IOT PLASTIC CASE SIZE 3

DWG NO: CUE9930WH


SCALE: 1:2
SHEET 1 OF 2
A3



LID

BASE

BRACKET

-	-	-	-	-	-	 CAMDENBOSS CONNECT. ENCLOSE. INNOVATE.	COLOUR: WHITE	GAUGE:	DO NOT SCALE DRAWING	SCALE: 1:1
-	-	-	-	-	-		FINISH: GLOSS	TITLE: WALL MOUNT SMALL IOT PLASTIC CASE SIZE 3	DEBURR AND BREAK SHARP EDGES	SHEET 2 OF 2
A	09/12/22	-	FIRST DRAWN	IPAGAND	S.HARDINGE		DRAWING UNITS: MILLIMETERS TOLERANCES: SEE CRITICAL DIMENSIONS	MATERIAL: ASA - UL 94 HB	DWG NO: CUE9930WH	A3
REVISION	DATE	ECR	DESCRIPTION	NAME	CHECKED	PROJECTION				