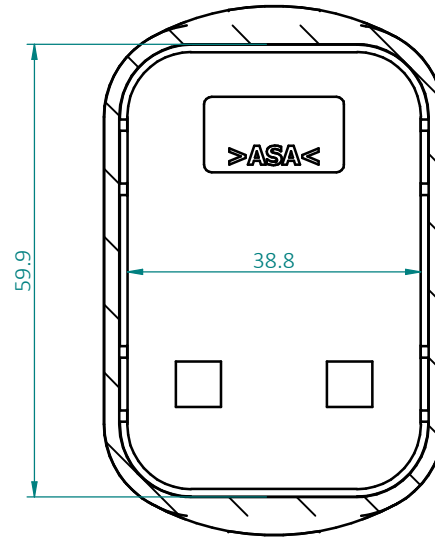
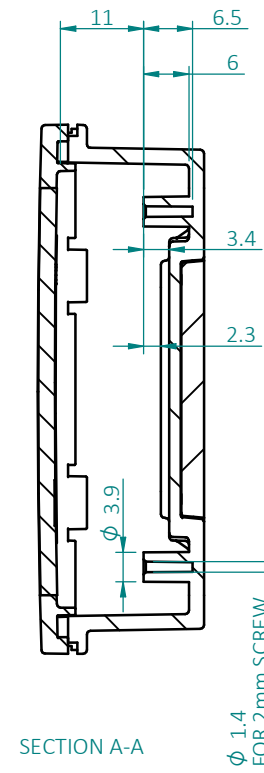
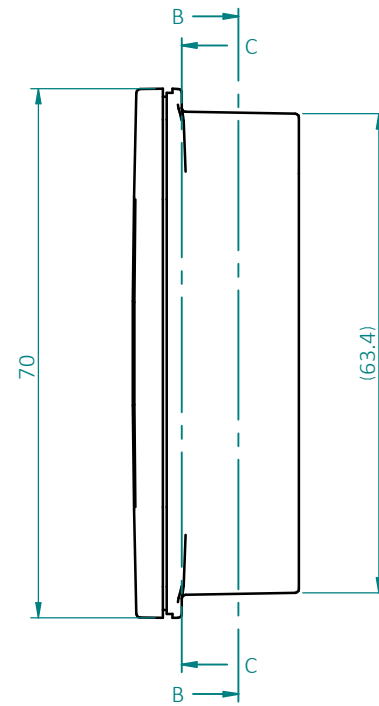
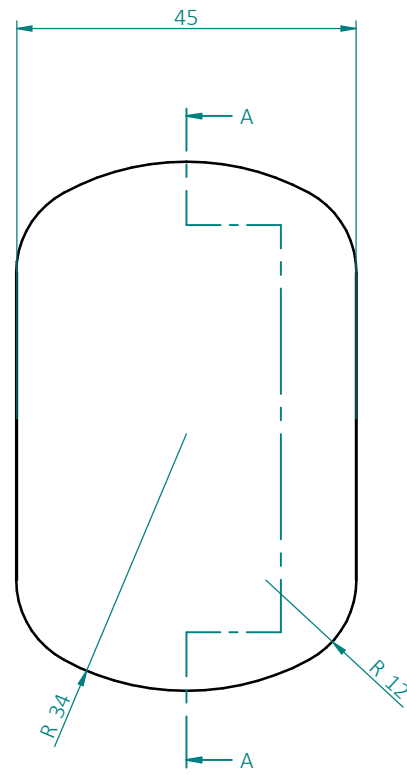
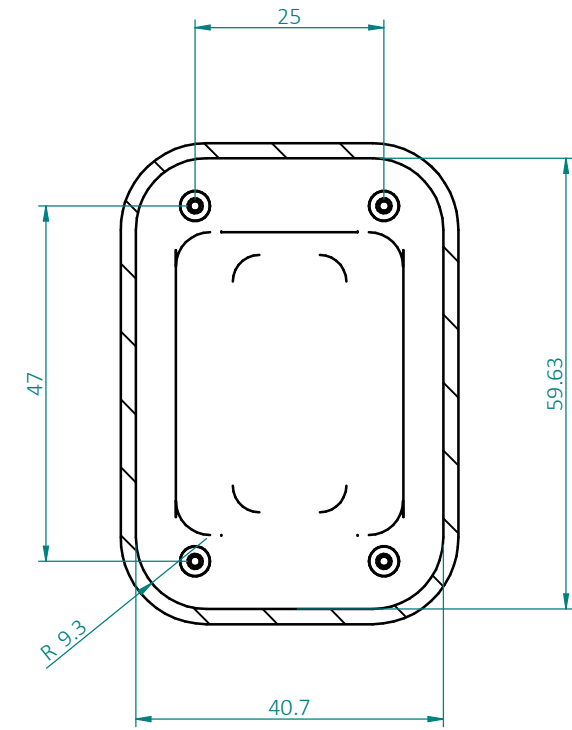


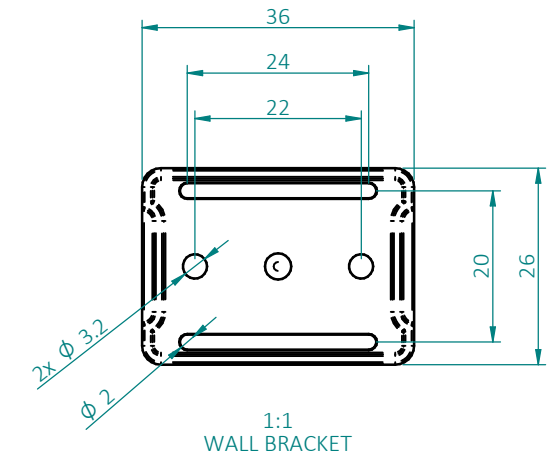
SECTION C-C  
COVER DETAIL



SECTION B-B  
BASE DETAIL



SECTION A-A



1:1  
WALL BRACKET

REVISION	DATE	ECR	DESCRIPTION	IPAGAND NAME	S. HARDINGE CHECKED
-	-	-	-	-	-
-	-	-	-	-	-
-	-	-	-	-	-
A	09/12/22	-	FIRST DRAWN	IPAGAND	S. HARDINGE



DRAWING UNITS: MILLIMETERS  
TOLERANCES: SEE CRITICAL DIMENSIONS



COLOUR: OFF WHITE  
FINISH: GLOSS  
MATERIAL: ASA - UL 94 HB

GAUGE: DO NOT SCALE DRAWING  
DEBURR AND BREAK SHARP EDGES  
TITLE: WALL MOUNT SMALL IOT PLASTIC CASE SIZE 1  
DWG NO: CUE9910WH

SCALE: 1:2  
SHEET 1 OF 2  
A3

1 2 3 4 5 6 7 8

F

F

E

E

D

D

C

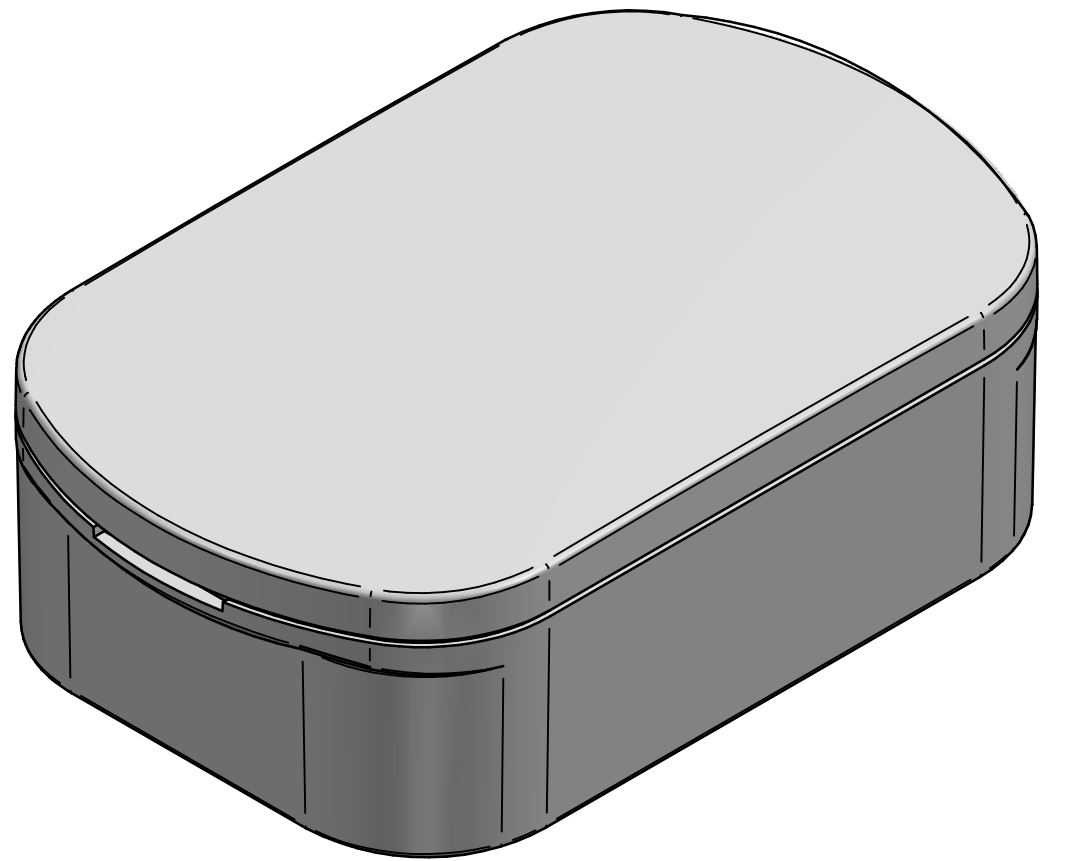
C

B

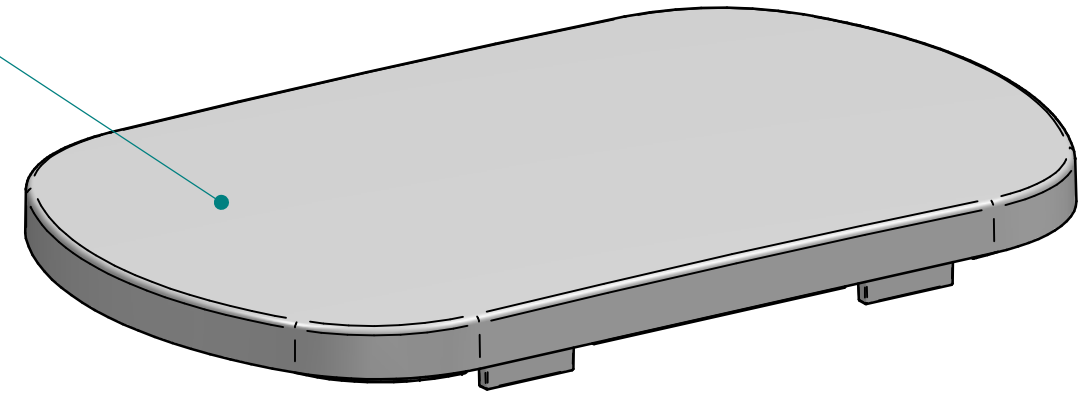
B

A

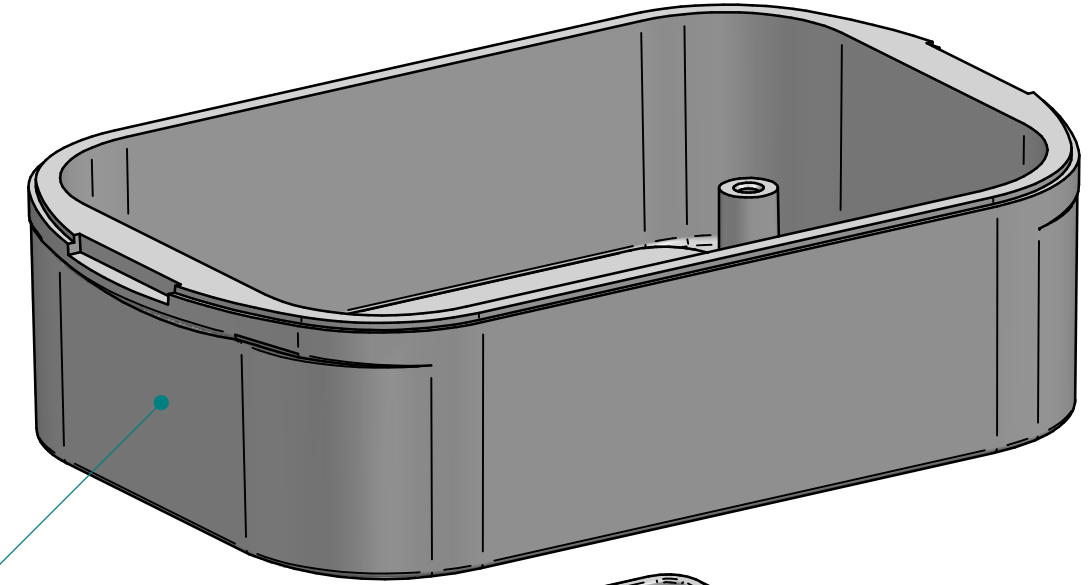
A



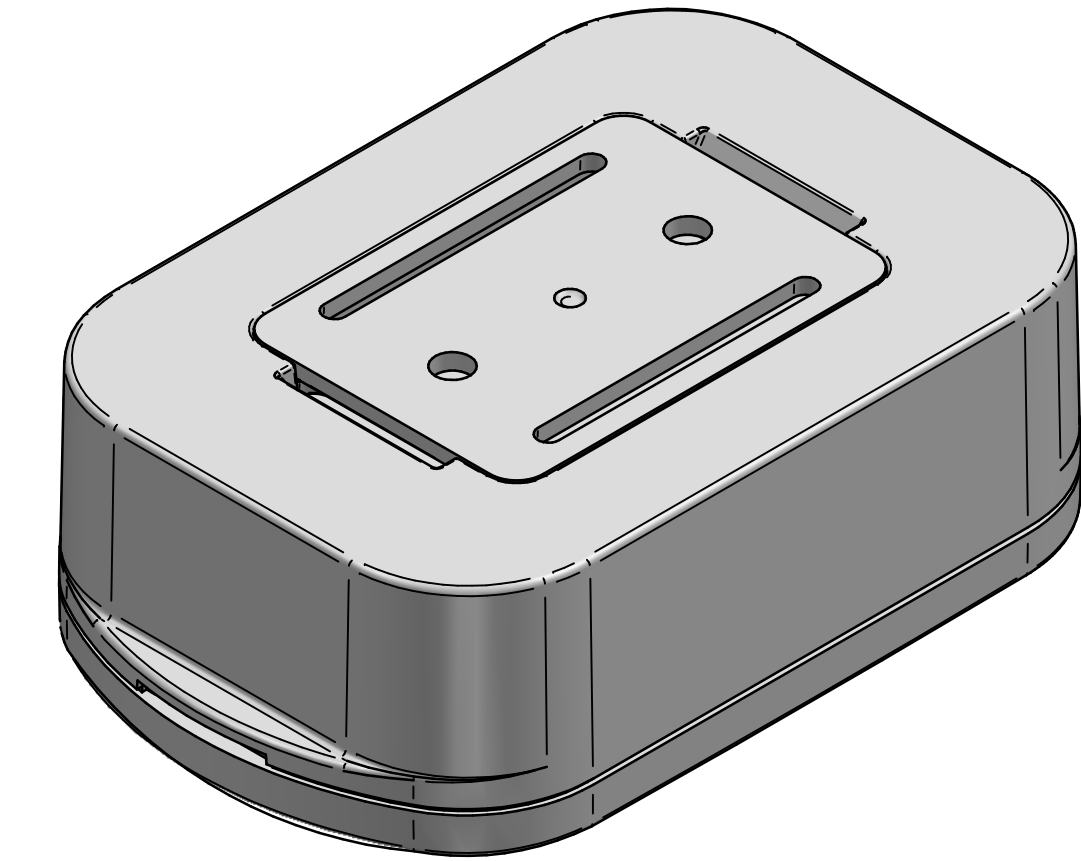
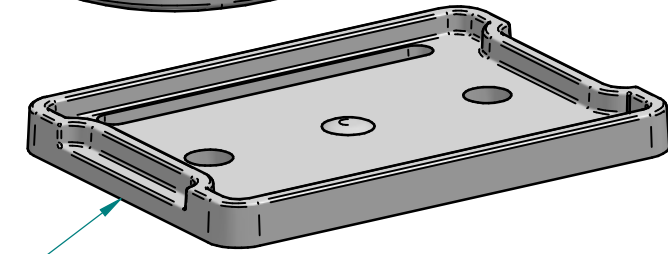
COVER



BASE



BRACKET



-	-	-	-	-	-	-
-	-	-	-	-	-	-
-	-	-	-	-	-	-
A	09/12/22	-	FIRST DRAWN	IPAGANO	S. HARDINGE	
REVISION	DATE	ECR	DESCRIPTION	NAME	CHECKED	



COLOUR: OFF WHITE  
 FINISH: GLOSS  
 MATERIAL: ASA - UL 94 HB

GAUGE: DO NOT SCALE DRAWING  
 DEBURR AND BREAK SHARP EDGES  
 TITLE: WALL MOUNT SMALL IOT PLASTIC CASE SIZE 1  
 DWG NO: CUE9910WH

SCALE: 2:1  
 SHEET 2 OF 2  
 A3

1 2 3 4 5 6 7 8