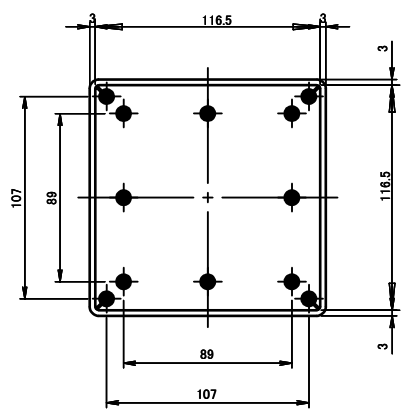
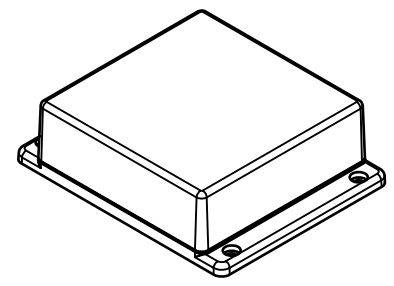
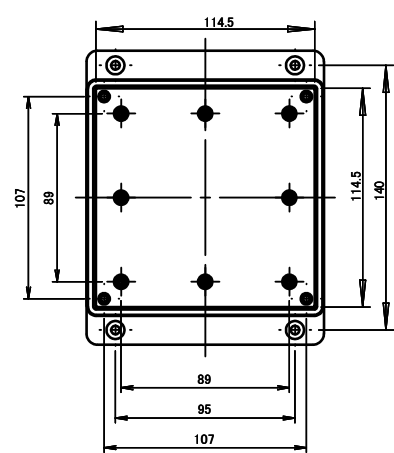




ISO VIEW
1:4



TOP



BASE

 CAMDENBOSS JAMES CARTER RD, MILDENHALL, SUFFOLK. IP28 7DE TEL: 01638 716101 FAX: 01638 716554 EMAIL: Sales@CamdenBoss.com WEB: www.CamdenBoss.com		UNLESS OTHERWISE SPECIFIED: DIMENSIONS ARE IN MILLIMETERS		DO NOT SCALE DRAWING		REVISION. <input type="checkbox"/>	
		GENERAL TOLERANCES +/- 0.2		TITLE: 83 SERIES PLASTIC FLANGED CASES, DARK GREY, 155.6x125.6x45			
DRAWN: LEWIS LETCHFORD		NAME: L.L.		SIGNED: L.L.		DATE: 11/02/2014	
CHK'D: -		MATERIAL: ABS UL94-V0		FINISH: FINE TEXTURE		DWG NO. CUE8320DG	
		PROJECTION. 		SCALE: 1:4		SHEET 1 OF 1	
						A4	