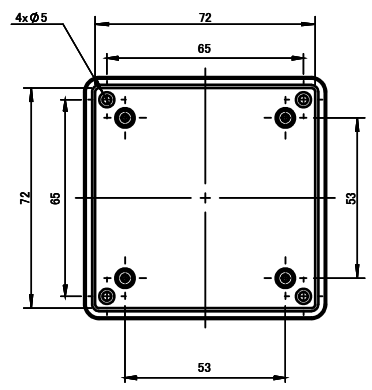
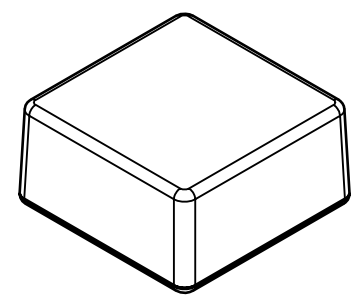
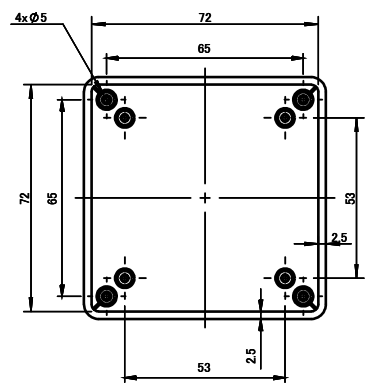




ISO VIEW
2:5



TOP



BASE

 CAMDENBOSS JAMES CARTER RD, MILDENHALL, SUFFOLK. IP28 7DE TEL: 01638 716101 FAX: 01638 716554 EMAIL: Sales@CamdenBoss.com WEB: www.CamdenBoss.com		UNLESS OTHERWISE SPECIFIED: DIMENSIONS ARE IN MILLIMETERS	DO NOT SCALE DRAWING	REVISION. <input type="checkbox"/>
		GENERAL TOLERANCES +/- 0.2	TITLE: 82 SERIES MULTI-PURPOSE CASES, SIZE 14, WHITE, 80x80x40	
		FINISH. FINE TEXTURE	DWG NO.	CUE8214WH
DRAWN	LEWIS LETCHFORD	L.L.	29/01/2014	MATERIAL. ABS UL94-V0
CHK'D	-	-	-	PROJECTION. 
			SCALE: 2:5	SHEET 1 OF 1

A4