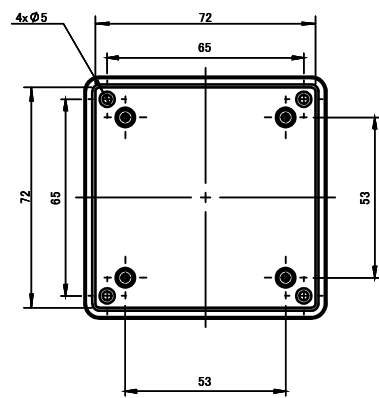
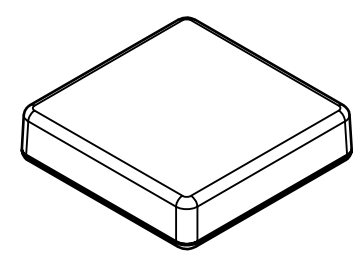
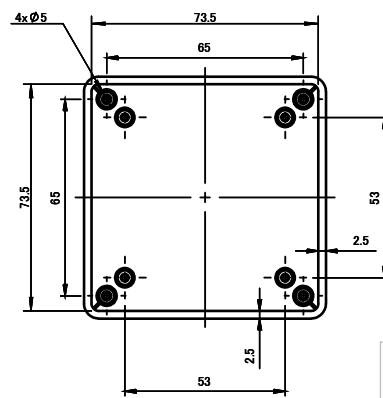




ISO VIEW  
2:5



TOP



BASE

 <b>CAMDENBOSS</b> JAMES CARTER RD, MILDENHALL, SUFFOLK. IP28 7DE TEL: 01638 716101 FAX: 01638 716554 EMAIL: Sales@CamdenBoss.com WEB: www.CamdenBoss.com			UNLESS OTHERWISE SPECIFIED: DIMENSIONS ARE IN MILLIMETERS		DO NOT SCALE DRAWING		REVISION. ○	
			GENERAL TOLERANCES +/- 0.2		TITLE: 82 SERIES MULTI-PURPOSE CASES, SIZE 13, WHITE, 80x80x20			
			FINISH. FINE TEXTURE		DWG NO.		CUE8213WH	
			MATERIAL. ABS UL94-V0		SCALE: 2:5		SHEET 1 OF 1	
DRAWN	LEWIS LETCHFORD	L.L.	29/01/2014	PROJECTION. 				A4
CHK'D	-	-	-					