

REVISION	DATE	ECR	DESCRIPTION	NAME	CHECKED
1	08/12/22	-	FIRST DRAWN	IPAGANO	S. HARDINGE



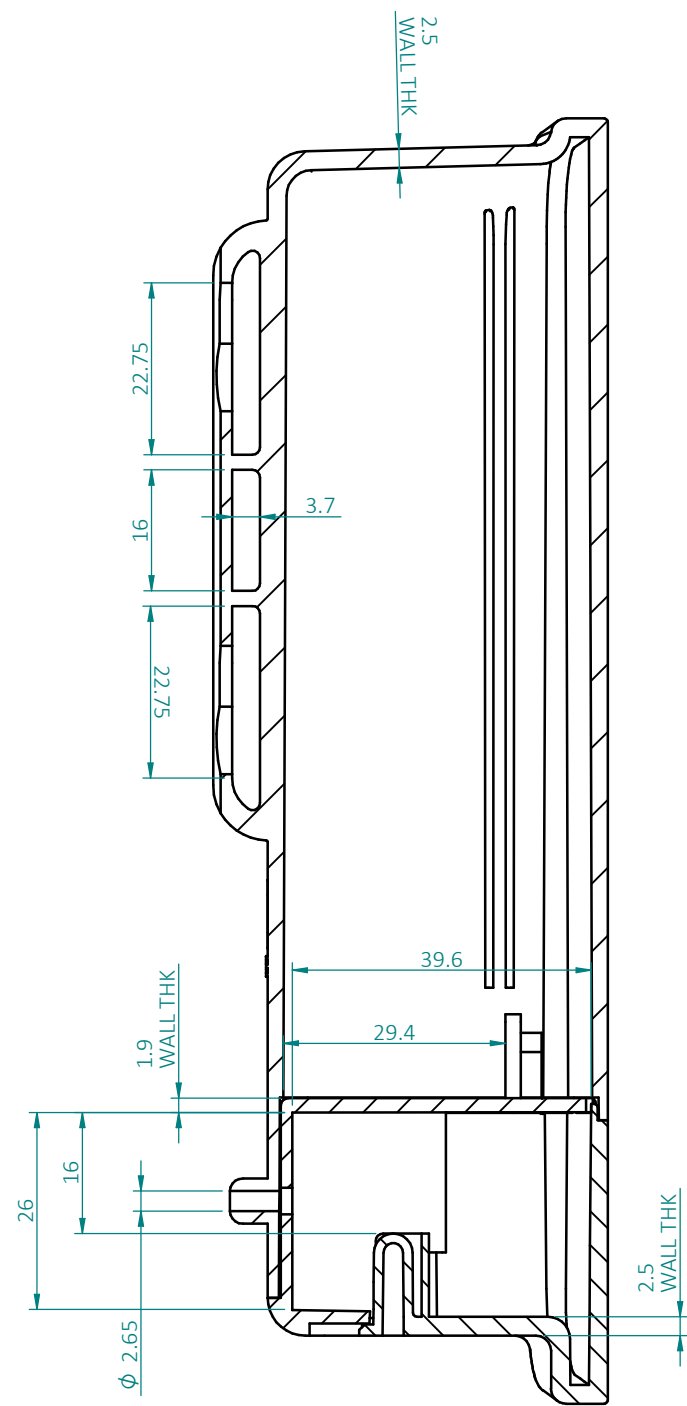
DRAWING UNITS: MILLIMETERS
TOLERANCES: SEE CRITICAL DIMENSIONS



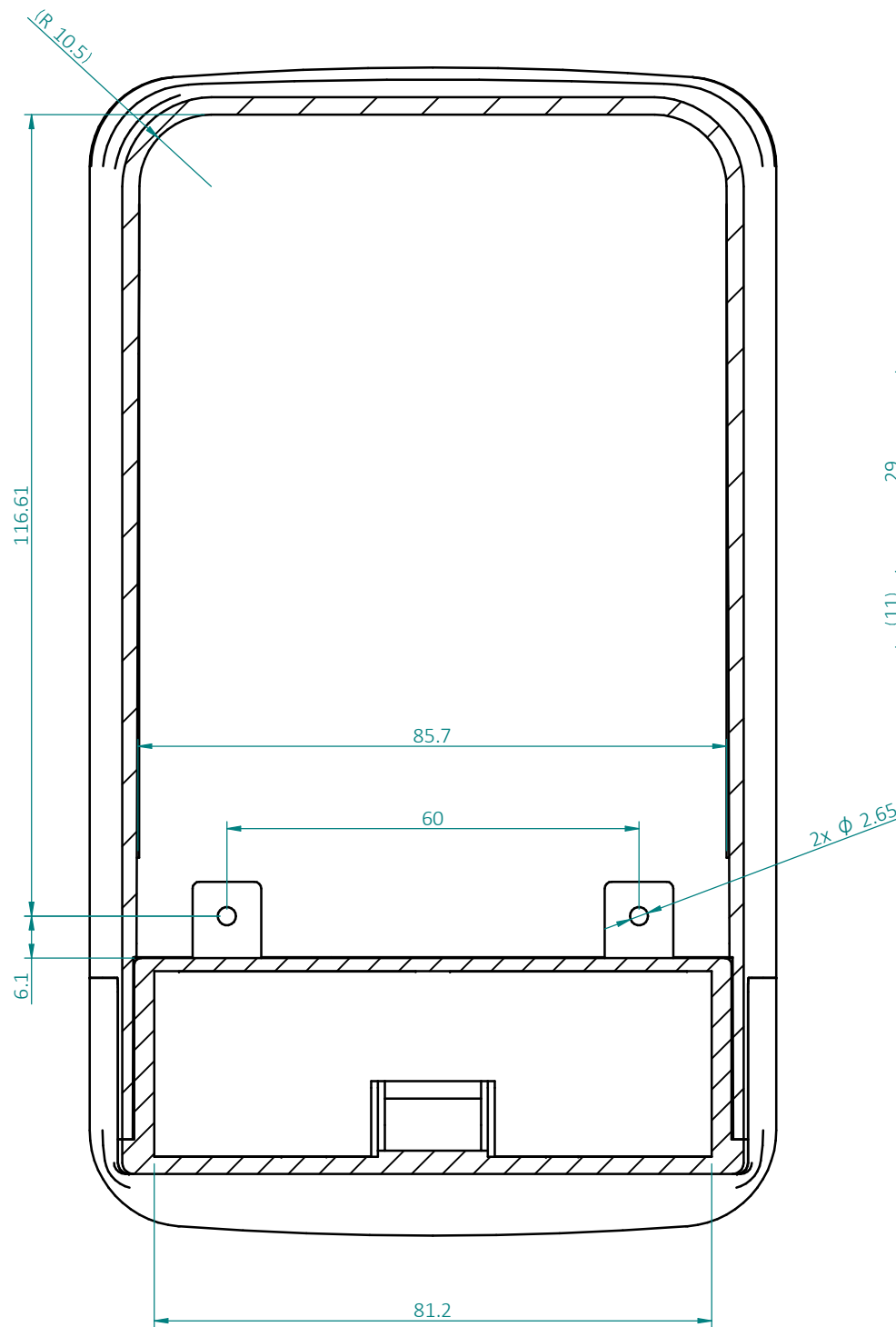
COLOR: ASA VU RESISTANT UL 94 - HB
FINISH: GLOSS
MATERIAL: OFF WHITE

GAUGE: DO NOT SCALE DRAWING
DEBURR AND BREAK SHARP EDGES
TITLE: OUTDOOR RAINPROOF NETWORK BOX
DWG NO: CUE7420WH

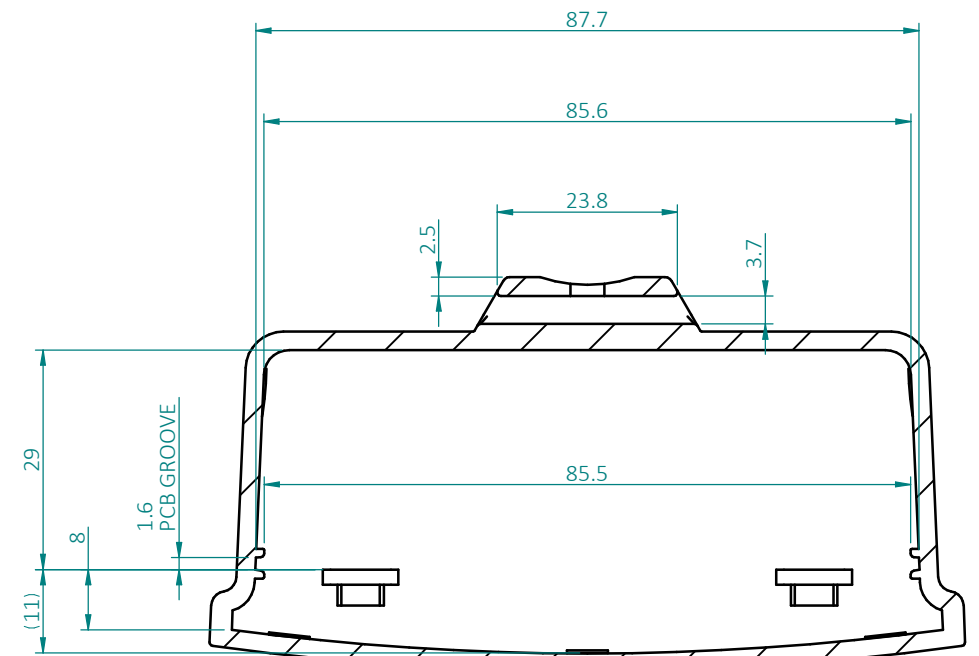
SCALE: 1:1
SHEET 1 OF 4
A3



SECTION A-A



SECTION B-B



SECTION C-C

2x ϕ 2.65

REVISION	DATE	ECR	DESCRIPTION	IPAGAND NAME	S. HARDINGE CHECKED
1	08/12/22	-	FIRST DRAWN	-	-



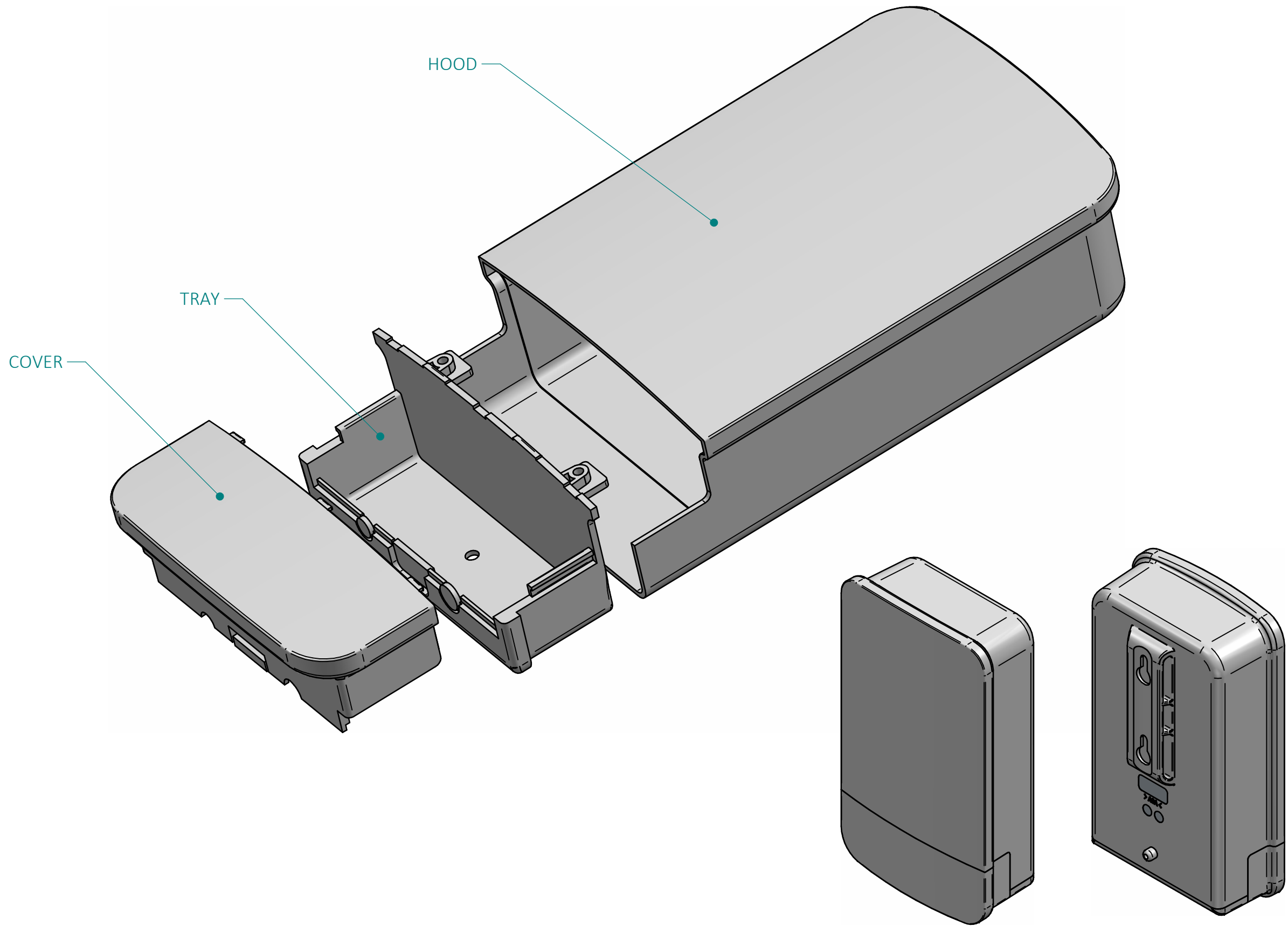
DRAWING UNITS: MILLIMETERS
TOLERANCES: SEE CRITICAL DIMENSIONS



COLOUR: ASA VU RESISTANT UL 94 - HB
FINISH: GLOSS
MATERIAL: OFF WHITE

GAUGE: DO NOT SCALE DRAWING
DEBURR AND BREAK SHARP EDGES
TITLE: OUTDOOR RAINPROOF NETWORK BOX
DWG NO: CUE7420WH

SCALE: 1:1
SHEET 2 OF 4
A3



HOOD

TRAY

COVER

REVISION	DATE	ECR	DESCRIPTION	IPAGANO NAME	S. HARDINGE CHECKED
-	-	-	-	-	-
-	-	-	-	-	-
-	-	-	-	-	-
1	08/12/22	-	FIRST DRAWN	IPAGANO	S. HARDINGE



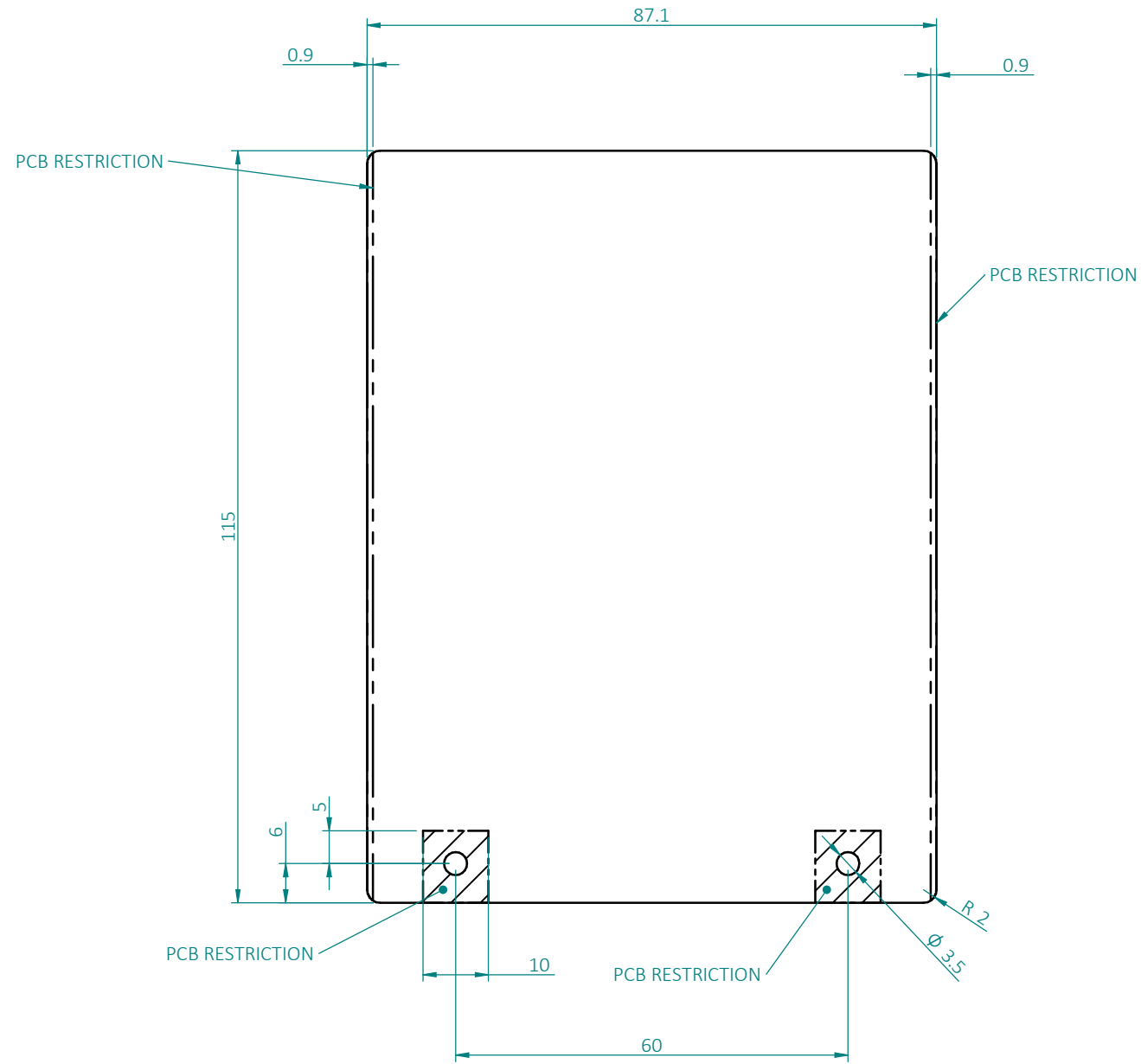
DRAWING UNITS: MILLIMETERS
TOLERANCES: SEE CRITICAL DIMENSIONS


COLOUR: ASA VU RESISTANT UL 94 - HB
FINISH: GLOSS
MATERIAL: OFF WHITE

GAUGE: DO NOT SCALE DRAWING
DEBURR AND BREAK SHARP EDGES
TITLE: OUTDOOR RAINPROOF NETWORK BOX
DWG NO: CUE7420WH

SCALE: 1:2
SHEET 3 OF 4
A3

PCB DIMENSIONS



-	-	-	-	-	-	 CAMDENBOSS CONNECT. ENCLOSE. INNOVATE.	COLOUR: ASA VU RESISTANT UL 94 - HB	GAUGE: DO NOT SCALE DRAWING DEBURR AND BREAK SHARP EDGES	SCALE: 1:1
-	-	-	-	-	-		FINISH: GLOSS	TITLE: OUTDOOR RAINPROOF NETWORK BOX	SHEET 4 OF 4
1	08/12/22	-	FIRST DRAWN	IPAGANO	S. HARDINGE		DRAWING UNITS: MILLIMETERS TOLERANCES: SEE CRITICAL DIMENSIONS	MATERIAL: OFF WHITE	DWG NO: CUE7420WH
REVISION	DATE	ECR	DESCRIPTION	NAME	CHECKED				