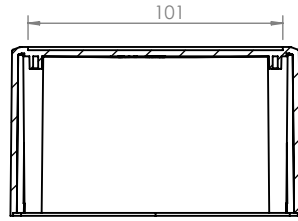


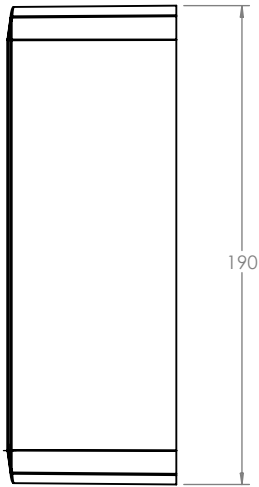
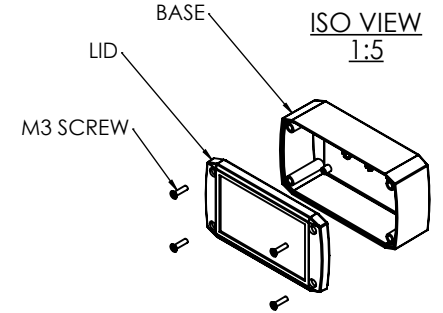
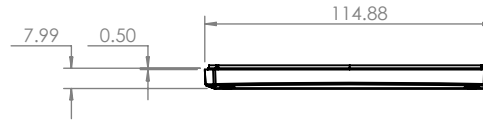
OVERALL ASSEMBLY DIMENSIONS:

EXTERNAL - 190 x 155 x 75

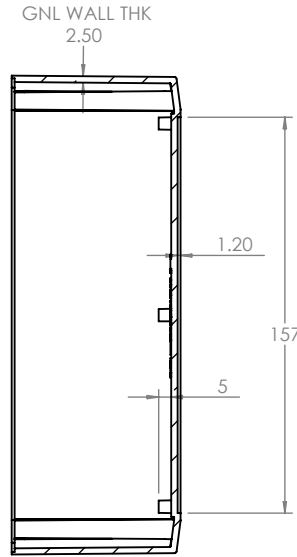
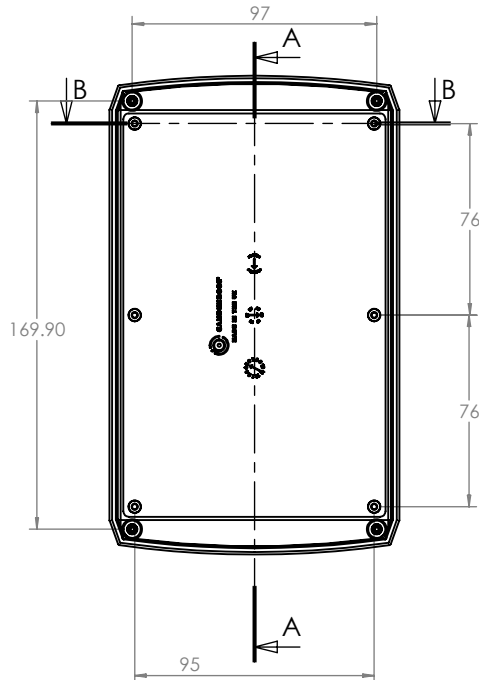
INTERNAL - 185 x 150 x 67.5



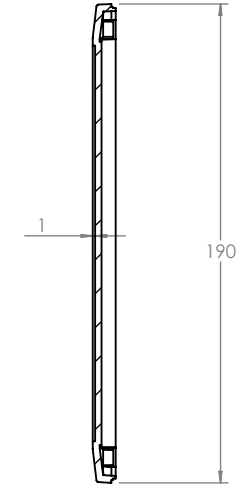
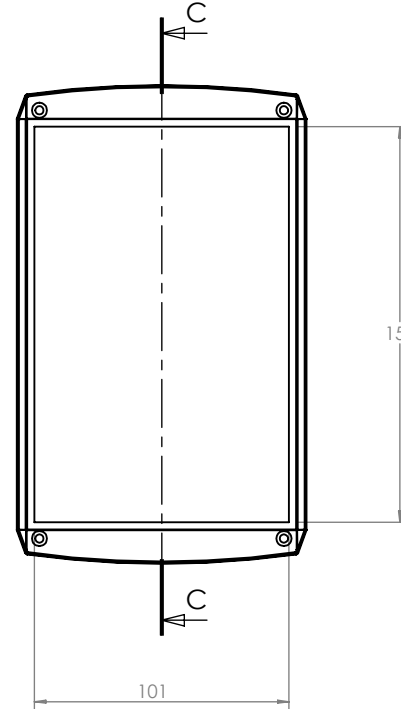
SECTION B-B



BASE

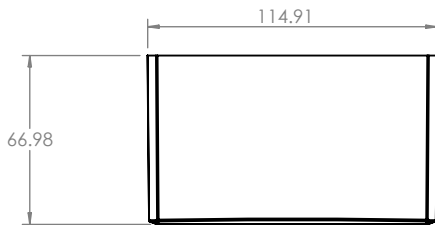


SECTION A-A



SECTION C-C

LID



CAMDENBOSS
CONNECT. ENCLOSE. INNOVATE.

JAMES CARTER RD, MILDENHALL, SUFFOLK. IP28 7DE
TEL: 01638 716101 FAX: 01638 716554
EMAIL: Sales@CamdenBoss.com
WEB: www.CamdenBoss.com

UNLESS OTHERWISE SPECIFIED:
DIMENSIONS ARE IN MILLIMETERS

FINISH. SMOOTH

COLOUR. BOX : RAL: 7047
LID : CLEAR

MATERIAL. ABS UL 94 - V0
PC UL 94 - V0

PROJECTION.

GENERAL TOLERANCES +/- 0.2

REVISION. A

TITLE: GENERAL DIMENSION DRAWING
FOR 1100 SERIES SIZE 4

DWG NO.

CSACTT005

A4

SCALE. -

SHEET 1 OF 1

DO NOT SCALE DRAWING

A	CHANGED LOGO AND INSERT PINS	10/06/20	I.PAGANO	000-756
REV	CHANGE NOTE	DATE	BY	ECR

DRAWN	IAN PAGANO	SIGNED	I.P.	DATE	22/07/13
CHKD	-	-	-	-	-