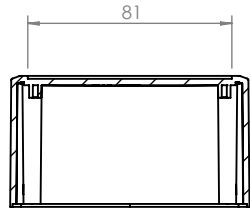


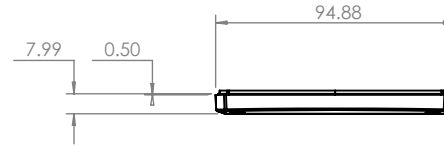
OVERALL ASSEMBLY DIMENSIONS:

EXTERNAL - 155 x 95 x 60

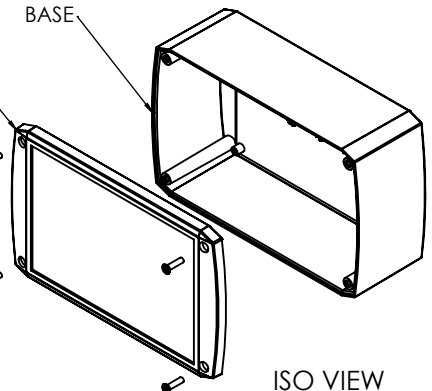
INTERNAL - 150 x 90 x 52.5



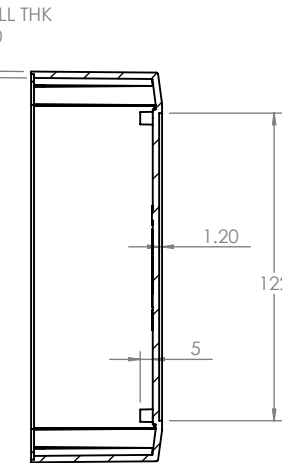
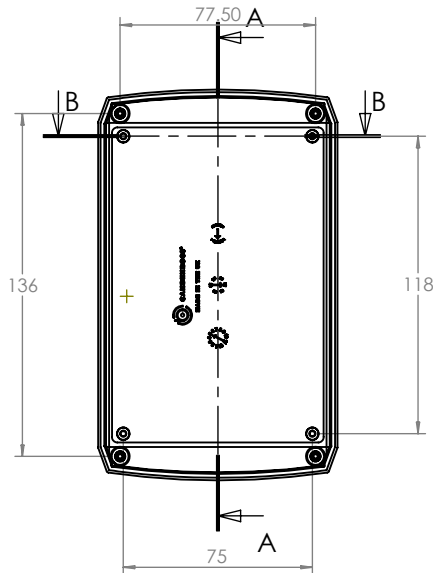
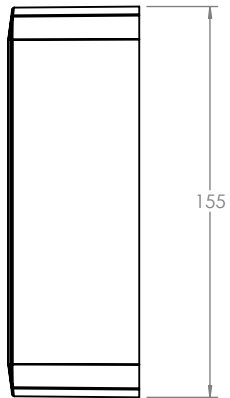
SECTION B-B



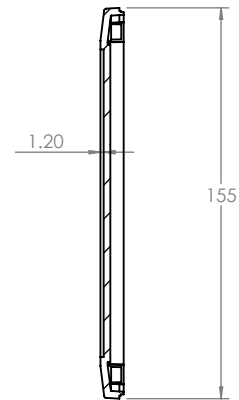
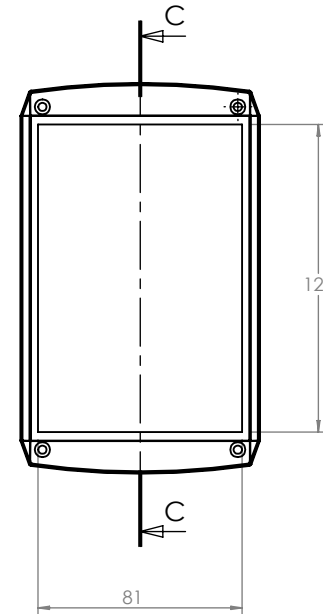
CLEAR LID
M3 SCREW



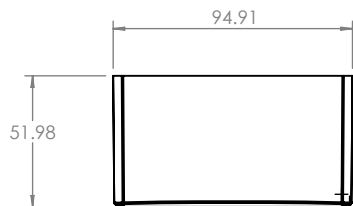
ISO VIEW
1:4



SECTION A-A



SECTION C-C



CAMDENBOSS
CONNECT. ENCLOSE. INNOVATE.

JAMES CARTER RD, MILDENHALL, SUFFOLK. IP28 7DE
TEL: 01638 716101 FAX: 01638 716554
EMAIL: Sales@CamdenBoss.com
WEB: www.CamdenBoss.com

UNLESS OTHERWISE SPECIFIED:
DIMENSIONS ARE IN MILLIMETERS

GENERAL TOLERANCES +/- 0.2

REVISION: A

FINISH: SMOOTH

TITLE: GNL ASSEMBLY DRG FOR 1101
SERIES SCATT004

COLOUR: BOX : RAL: 7047
LID : CLEAR

MATERIAL: ABS UL 94 - V0
PC UL 94 - V0

DWG NO.

CSACTT004

A4

REV	CHANGE NOTE	DATE	BY	ECR
A	CHANGED LOGO AND INSERT PINS	10/06/20	I.PAGANO	000-756

DRAWN	NAME	SIGNED	DATE
IAN PAGANO	I.P.	17/06/13	

PROJECTION:

SCALE: 1:2

SHEET 1 OF 1

DO NOT SCALE DRAWING

1

2

3