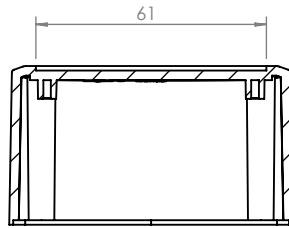


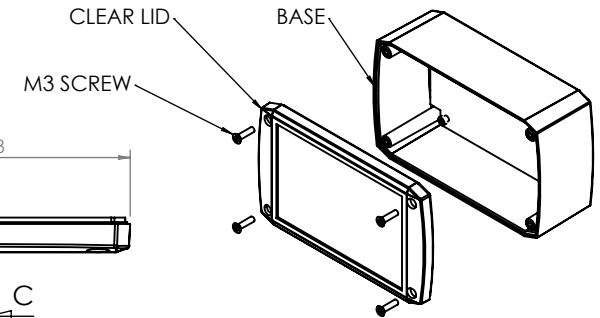
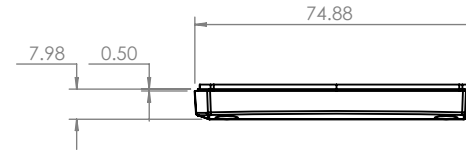
OVERALL ASSEMBLY DIMENSIONS:

EXTERNAL - 125 x 75 x 50

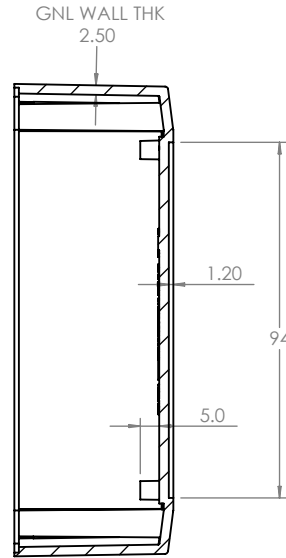
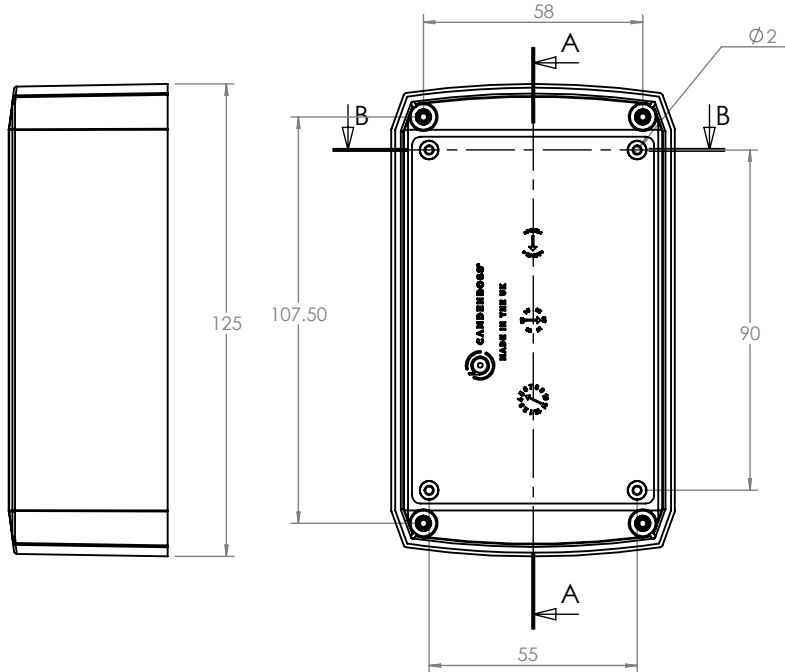
INTERNAL - 120 x 70 x 42.5



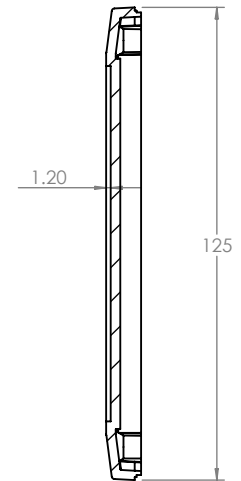
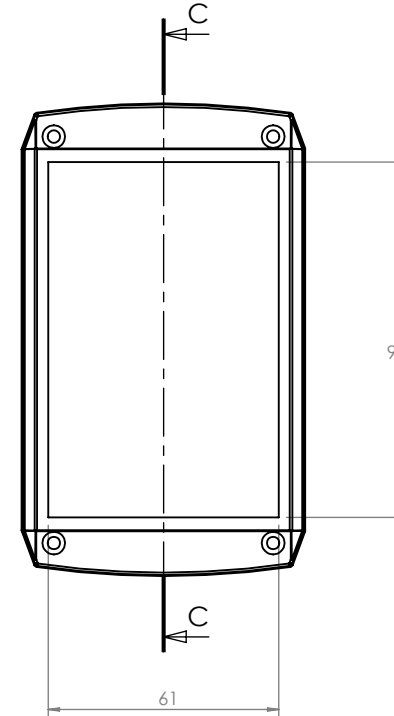
SECTION B-B



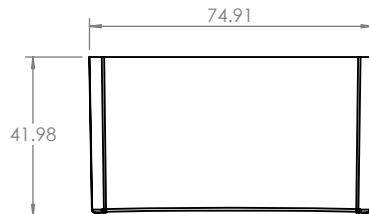
ISO VIEW 1:4



SECTION A-A



SECTION C-C



CAMDENBOSS
CONNECT. ENCLOSE. INNOVATE.

JAMES CARTER RD, MILDENHALL, SUFFOLK. IP28 7DE
TEL: 01638 716101 FAX: 01638 716554
EMAIL: Sales@CamdenBoss.com
WEB: www.CamdenBoss.com

UNLESS OTHERWISE SPECIFIED:
DIMENSIONS ARE IN MILLIMETERS

FINISH: SMOOTH

COLOUR: BOX : RAL:7047
LID : CLEAR

MATERIAL: ABS UL 94 - V0
PC UL 94 - V0

PROJECTION:

GENERAL TOLERANCES +/- 0.2

REVISION: A

TITLE: DNL ASSEMBLY DRG FOR 1101
SERIES SCATT003

DWG NO. CSACTION003

A4

REV	DESCRIPTION	DATE	BY	ECR
A	CHANGED LOGO AND INSERT PINS	10/06/20	I.PAGANO	000-756
	CHANGE NOTE			

DRAWN	NAME	SIGNED	DATE	SCALE	SHEET	NOTES
CHKD	IAN PAGANO	I.P.	17/06/13	1:2	1 OF 1	DO NOT SCALE DRAWING