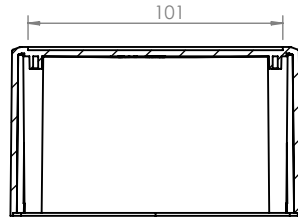


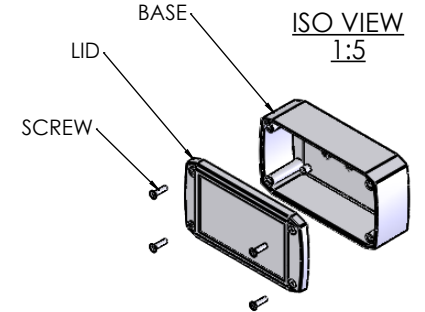
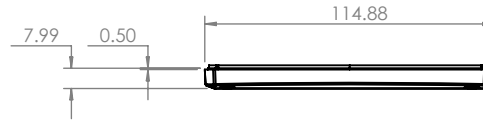
OVERALL ASSEMBLY DIMENSIONS:

EXTERNAL - 190 x 155 x 75

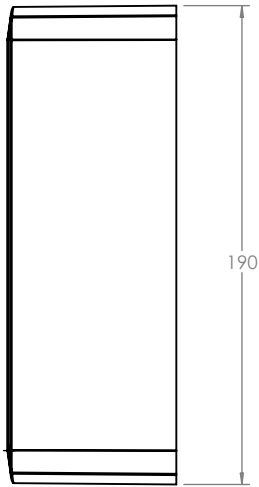
INTERNAL - 185 x 150 x 67.5



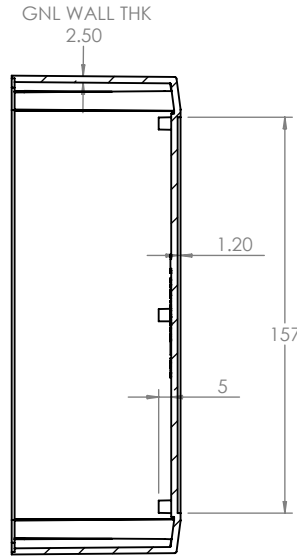
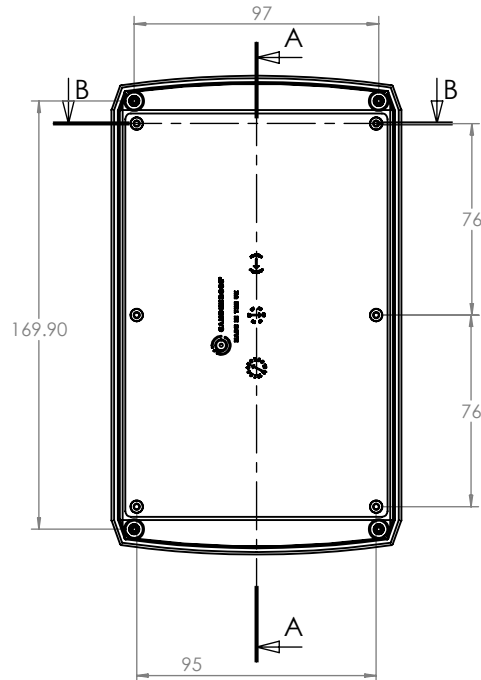
SECTION B-B



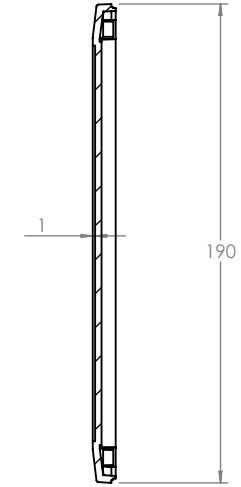
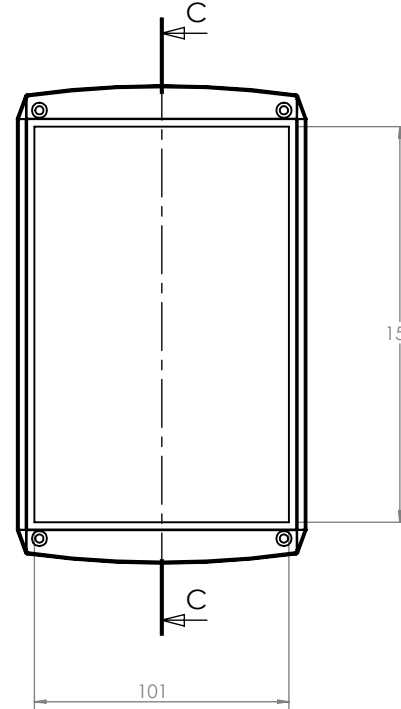
ISO VIEW
1:5



BASE

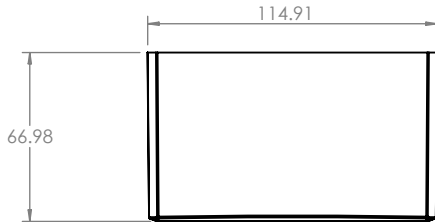


SECTION A-A



SECTION C-C

LID



CAMDENBOSS
CONNECT. ENCLOSE. INNOVATE.

JAMES CARTER RD, MILDENHALL, SUFFOLK. IP28 7DE
TEL: 01638 716101 FAX: 01638 716554
EMAIL: Sales@CamdenBoss.com
WEB: www.CamdenBoss.com

UNLESS OTHERWISE SPECIFIED:
DIMENSIONS ARE IN MILLIMETERS

FINISH: SMOOTH

COLOUR:
RAL: 7047

MATERIAL:
ABS UL 94 - V0

PROJECTION:

GENERAL TOLERANCES +/- 0.2

REVISION: A

TITLE: GENERAL DIMENSION DRAWING
FOR 1100 SERIES SIZE 4

DWG NO.

CSACST005

A4

SCALE: -

SHEET 1 OF 1

DO NOT SCALE DRAWING

A	CHANGED LOGO AND INSERT PINS	10/06/20	I.PAGANO	000-756
REV	CHANGE NOTE	DATE	BY	ECR

DRAWN	NAME	SIGNED	DATE
CHKD	IAN PAGANO	I.P.	22/07/13