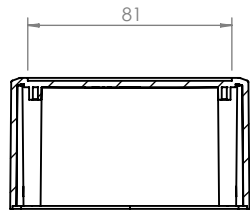


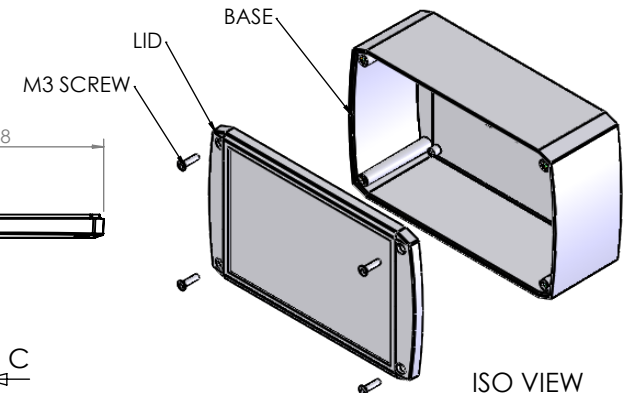
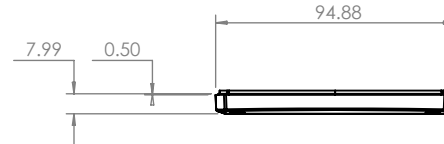
OVERALL ASSEMBLY DIMENSIONS:

EXTERNAL - 155 x 95 x 60

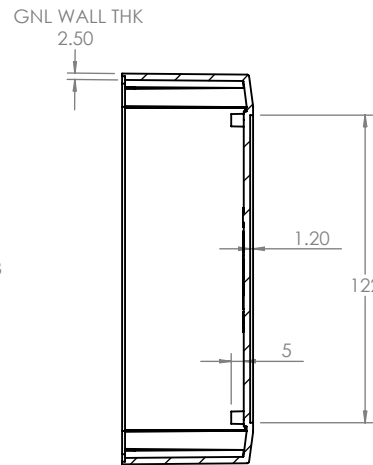
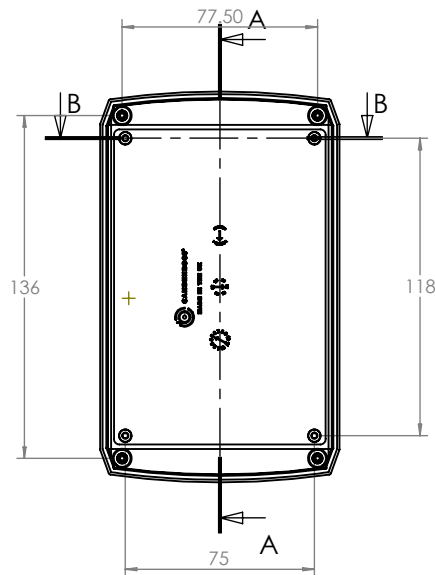
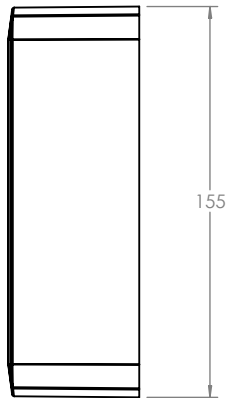
INTERNAL - 150 x 90 x 52.5



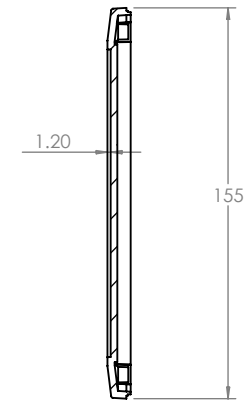
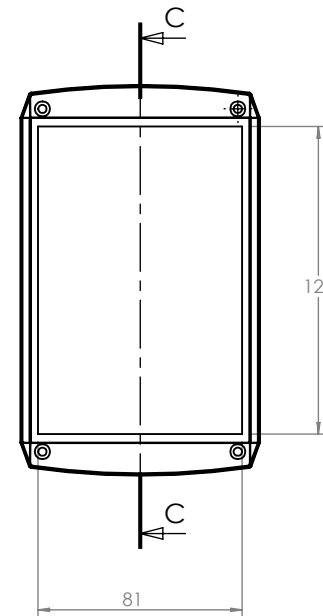
SECTION B-B



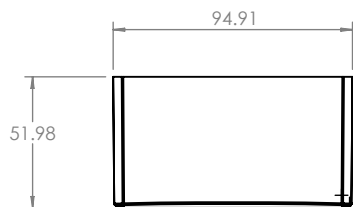
ISO VIEW 1:4



SECTION A-A



SECTION C-C



CAMDENBOSS
CONNECT. ENCLOSE. INNOVATE.

JAMES CARTER RD, MILDENHALL, SUFFOLK. IP28 7DE
TEL: 01638 716101 FAX: 01638 716554
EMAIL: Sales@CamdenBoss.com
WEB: www.CamdenBoss.com

UNLESS OTHERWISE SPECIFIED:
DIMENSIONS ARE IN MILLIMETERS

FINISH: SMOOTH
COLOUR: RAL: 7047

GENERAL TOLERANCES +/- 0.2

REVISION: A

TITLE: GNL ASSEMBLY DRG FOR 1101
SERIES SCAST004

REV	CHANGE NOTE	DATE	BY	ECR
A	CHANGED LOGO AND INSERT PINS	10/06/20	I.PAGANO	000-756

DRAWN	NAME	SIGNED	DATE
IAN PAGANO	I.P.	17/06/13	

MATERIAL: ABS UL 94 - V0

DWG NO.	CSACST004	A4
---------	-----------	----

SCALE: 1:2 SHEET 1 OF 1 DO NOT SCALE DRAWING