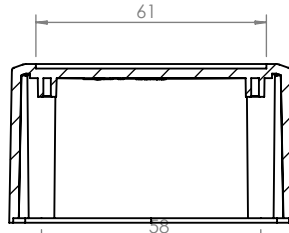


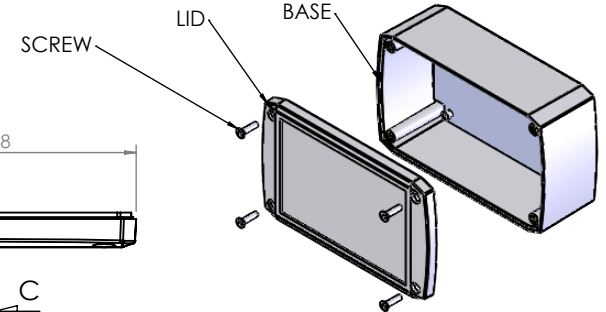
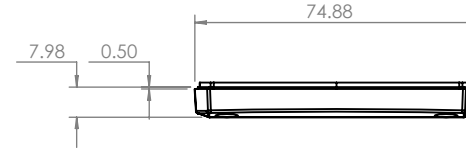
OVERALL ASSEMBLY DIMENSIONS:

EXTERNAL - 125 x 75 x 50

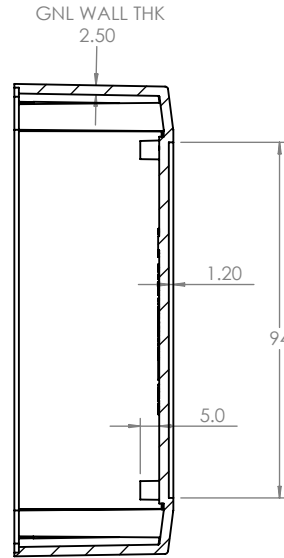
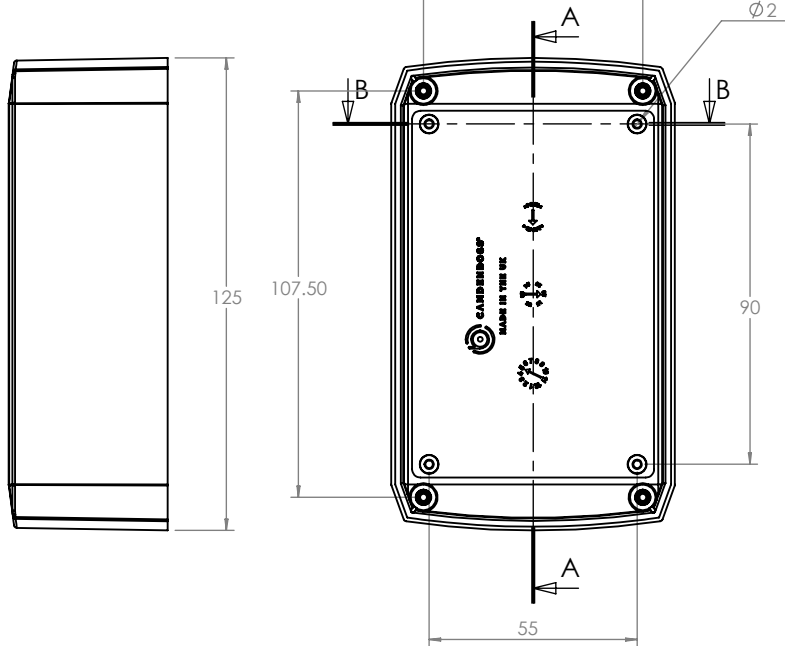
INTERNAL - 120 x 70 x 42.5



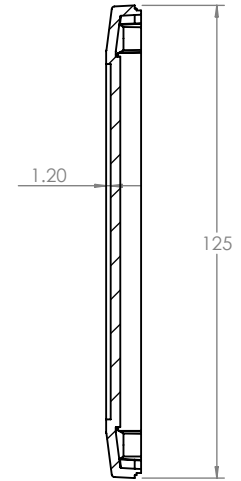
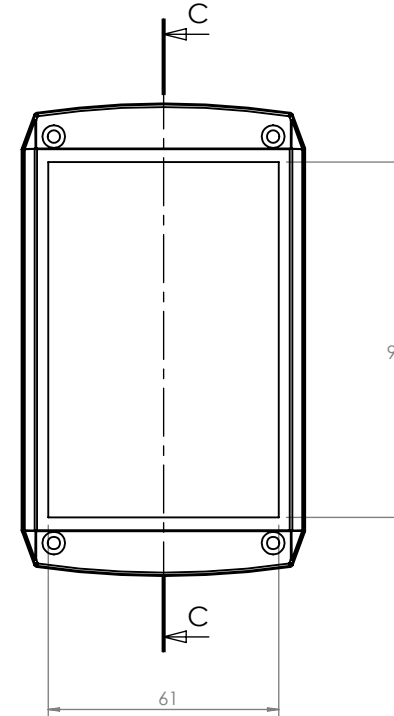
SECTION B-B



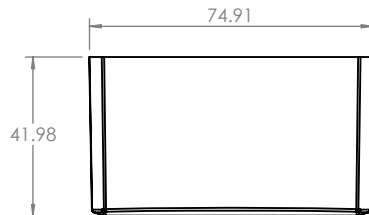
ISO VIEW 1:4



SECTION A-A



SECTION C-C



CAMDENBOSS
CONNECT. ENCLOSE. INNOVATE.

JAMES CARTER RD, MILDENHALL, SUFFOLK. IP28 7DE
TEL: 01638 716101 FAX: 01638 716554
EMAIL: Sales@CamdenBoss.com
WEB: www.CamdenBoss.com

UNLESS OTHERWISE SPECIFIED:
DIMENSIONS ARE IN MILLIMETERS

GENERAL TOLERANCES +/- 0.2

REVISION: A

FINISH:
SMOOTH

TITLE: DNL ASSEMBLY DRG FOR 1101
SERIES SCAST003

COLOUR:
RAL:7047

MATERIAL:
ABS UL 94 - V0

DWG NO. CSACST003 A4

DRAWN	NAME	SIGNED	DATE
IAN PAGANO	I.P.	17/06/13	

CHK'D			
-	-	-	

PROJECTION:

SCALE: 1:2

SHEET 1 OF 1

DO NOT SCALE DRAWING

REV	DESCRIPTION	DATE	BY	APP
A	CHANGED LOGO AND INSERT PINS	10/06/20	I.PAGANO	000-756
	CHANGE NOTE			ECR