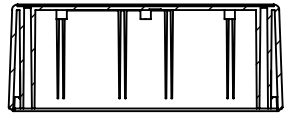


OVERALL ASSEMBLY DIMENSIONS:

EXTERNAL - 220 x 145 x 80

INTERNAL - 215 x 140 x 73.5



SECTION B-B

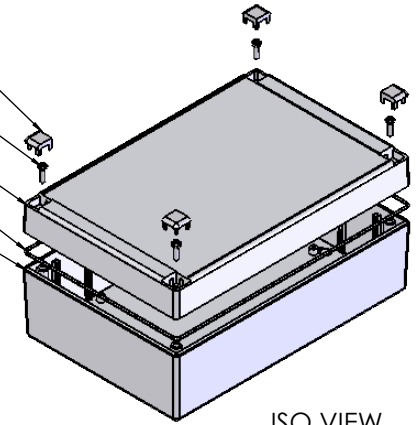
CORNER/SCREW CAP

M3 SCREW

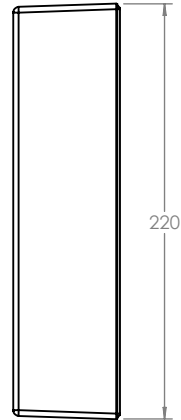
LID

GASKET

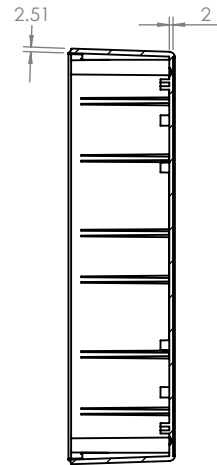
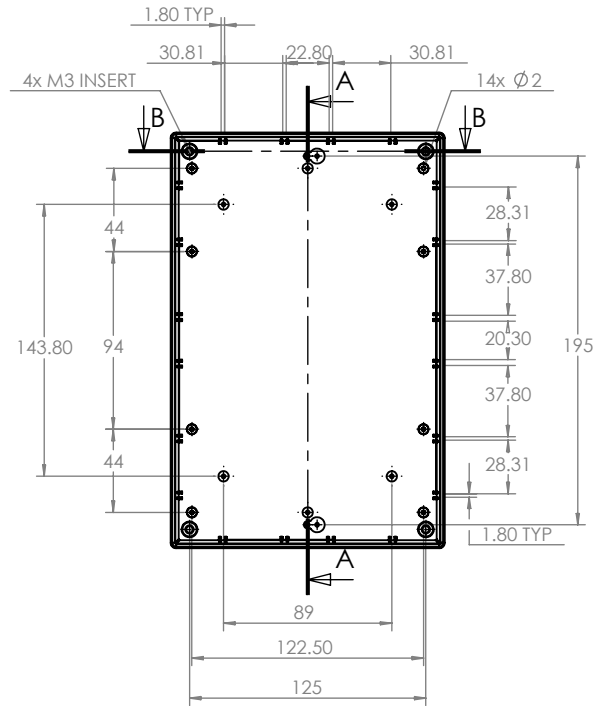
BASE



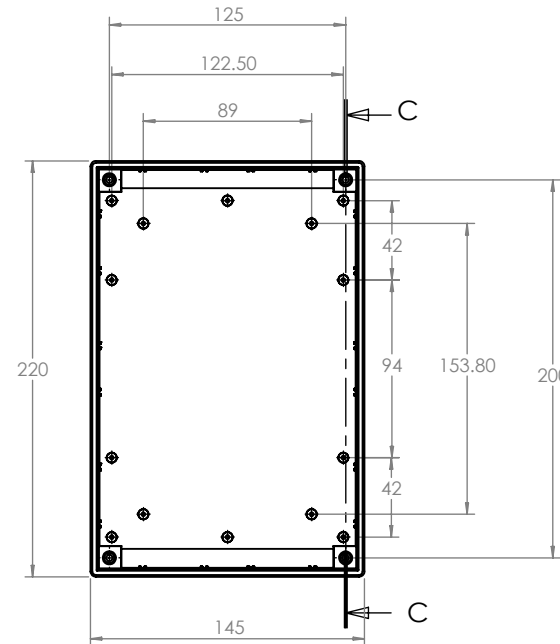
ISO VIEW  
1:5



BASE

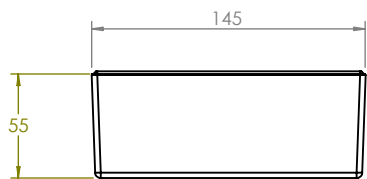


SECTION A-A



SECTION C-C

LID



**CAMDENBOSS®**  
CONNECT. ENCLOSE. INNOVATE.

JAMES CARTER RD, MILDENHALL, SUFFOLK. IP28 7DE  
TEL: 01638 716101 FAX: 01638 716554  
EMAIL: Sales@CamdenBoss.com  
WEB: www.CamdenBoss.com

UNLESS OTHERWISE SPECIFIED:  
DIMENSIONS ARE IN MILLIMETERS

GENERAL TOLERANCES +/- 0.2

FINISH:  
LIGHT SPARK

MATERIAL:  
UL 94 - V0 ABS

PROJECTION.

DO NOT SCALE DRAWING

REVISION. B

TITLE: ASSEMBLY DRG FOR RECESS DESIGNER CASE SIZE 9 GREY

DWG NO. CRDCGG009

A4

	NAME	SIGNED	DATE
DRAWN	IAN PAGANO	I.P.	24/09/13
CHK'D	-	-	-

SCALE: 1:4

SHEET 1 OF 1