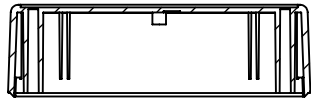


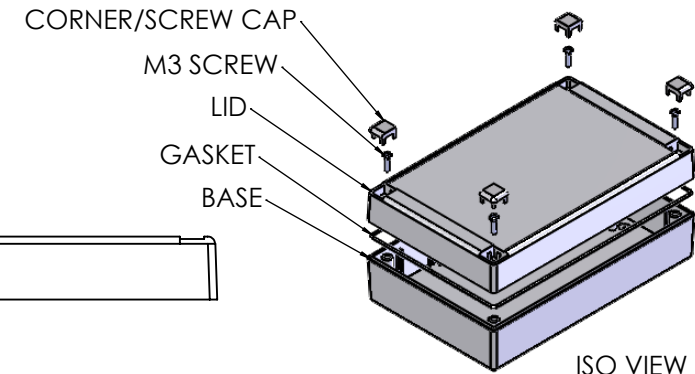
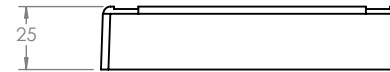
OVERALL ASSEMBLY DIMENSIONS:

EXTERNAL - 190 x 120 x 60

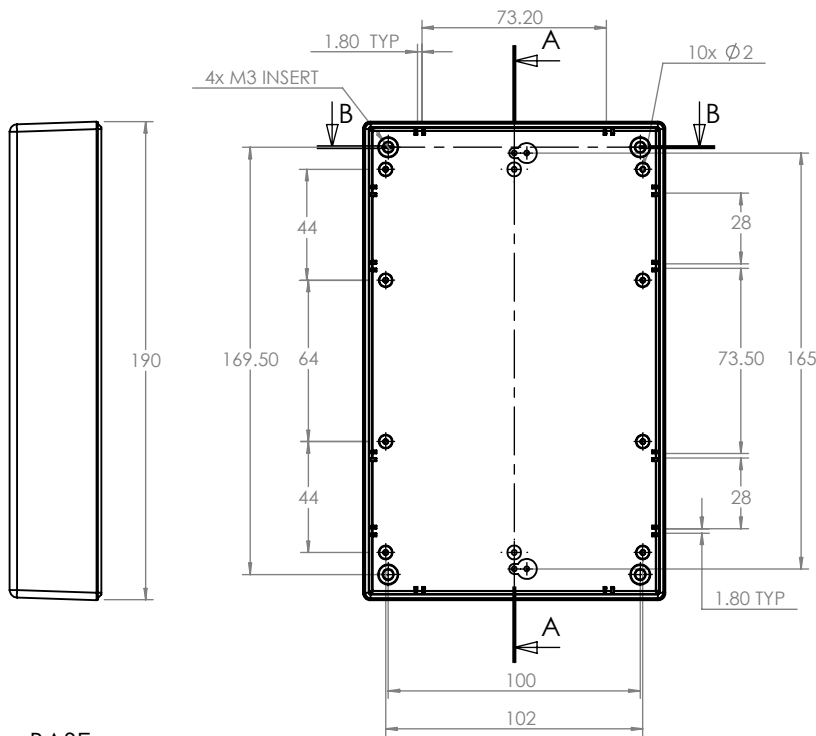
INTERNAL - 185 x 115 x 53.5



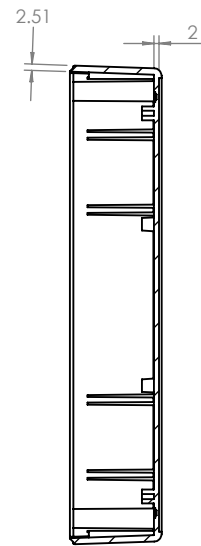
SECTION B-B



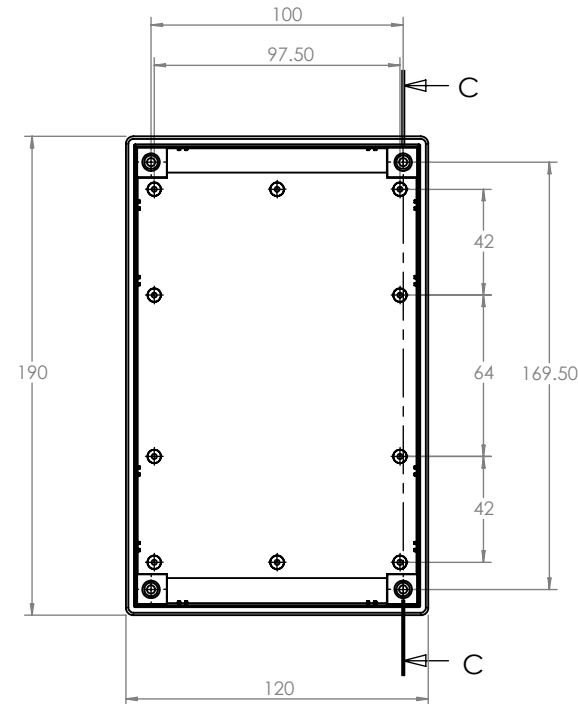
ISO VIEW  
1:5



BASE

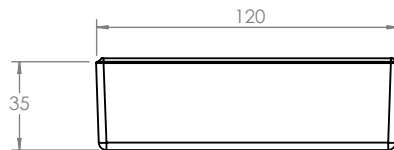




SECTION A-A



SECTION C-C


LID



 <b>CAMDENBOSS®</b> <small>CONNECT. ENCLOSE. INNOVATE.</small>				UNLESS OTHERWISE SPECIFIED: DIMENSIONS ARE IN MILLIMETERS		DO NOT SCALE DRAWING		REVISION: <b>C</b>	
				GENERAL TOLERANCES +/- 0.2		TITLE: <b>ASSEMBLY DRG FOR RECESS DESIGNER CASE SIZE 7 GREY</b>			
FINISH: <b>LIGHT SPARK</b>				MATERIAL: <b>UL 94 - V0 ABS</b>		DWG NO. <b>CRDCGG007</b>		A4	
DRAWN	NAME	SIGNED	DATE	PROJECTION: 		SCALE: <b>1:3</b>		SHEET 1 OF 1	
CHK'D	-	-	-						

JAMES CARTER RD, MILDENHALL, SUFFOLK. IP28 7DE  
 TEL: 01638 716101 FAX: 01638 716554  
 EMAIL: Sales@CamdenBoss.com  
 WEB: www.CamdenBoss.com

	NAME	SIGNED	DATE
DRAWN	IAN PAGANO	I.P.	24/09/13
CHK'D	-	-	-

MATERIAL.	UL 94 - V0 ABS
PROJECTION.	

DWG NO.	<b>CRDCGG007</b>	A4
SCALE:	<b>1:3</b>	SHEET 1 OF 1