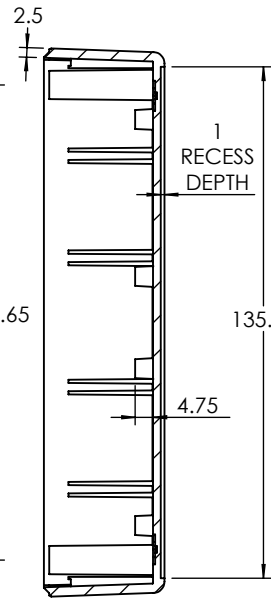
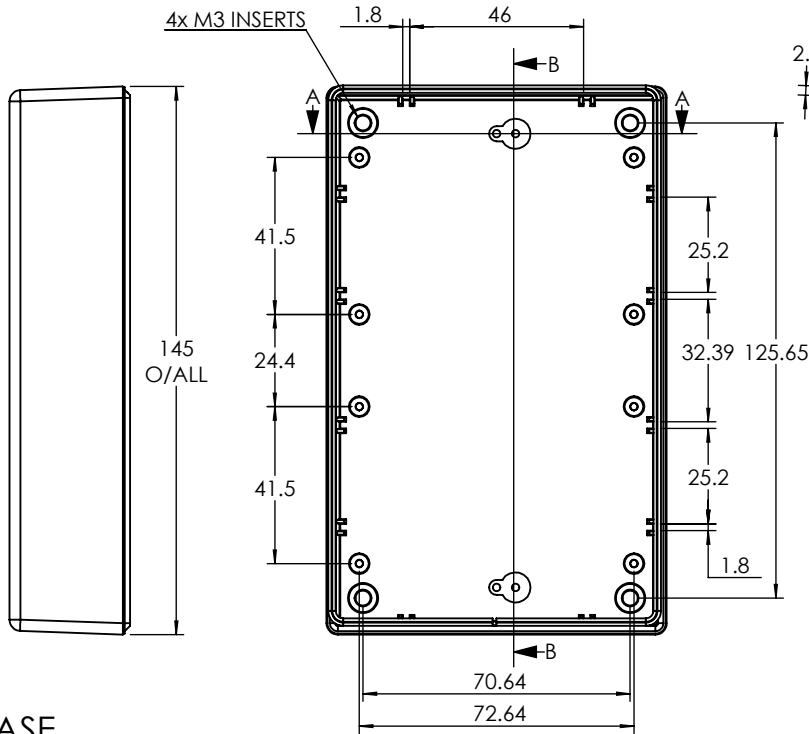
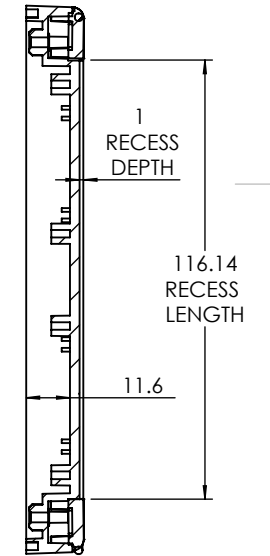
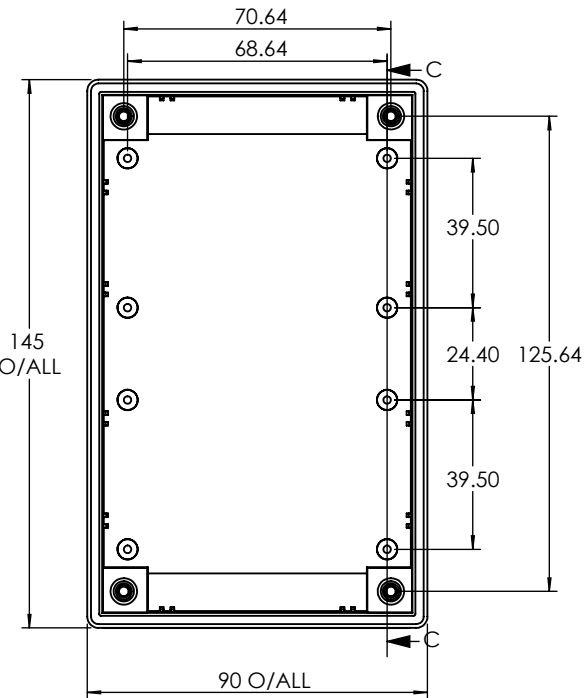


ISO VIEW
1:5

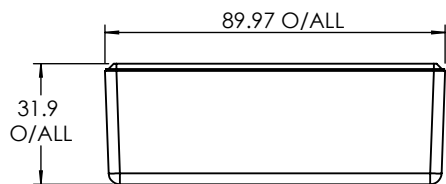


SECTION B-B



SECTION C-C

LID



BASE

<p>CAMDENBOSS® CONNECT. ENCLOSE. INNOVATE.</p> <p>JAMES CARTER RD, MILDENHALL, SUFFOLK. IP28 7DE TEL: 01638 716101 FAX: 01638 716554 EMAIL: Sales@CamdenBoss.com WEB: www.CamdenBoss.com</p>			UNLESS OTHERWISE SPECIFIED: DIMENSIONS ARE IN MILLIMETERS		DO NOT SCALE DRAWING	REVISION. B
			GENERAL TOLERANCES +/- 0.2		TITLE: ASSEMBLY DRG FOR RECESS DESIGNER CASE SIZE 6 GREY	
MATERIAL. UL 94 - V0 ABS			FINISH. LIGHT SPARK		DWG NO. CRDCGG006	A4
DRAWN	NAME	SIGNED	DATE	PROJECTION.	SCALE. 1:2	
CHKD	-	-	-			