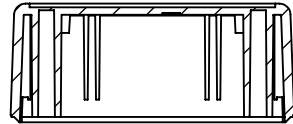


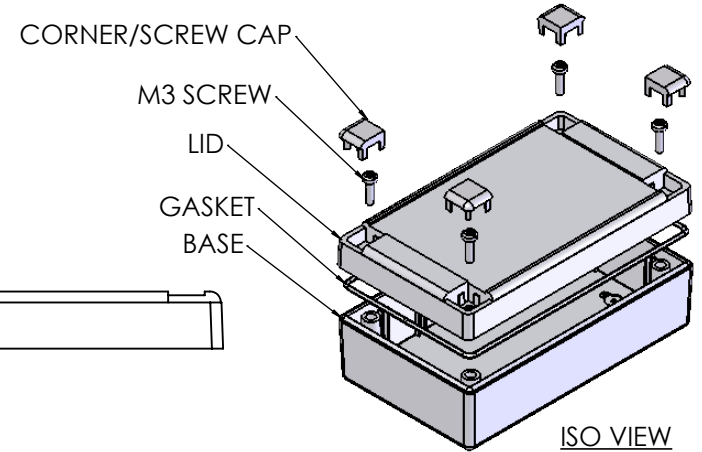
OVERALL ASSEMBLY DIMENSIONS:

EXTERNAL - 127 x 75 x 45

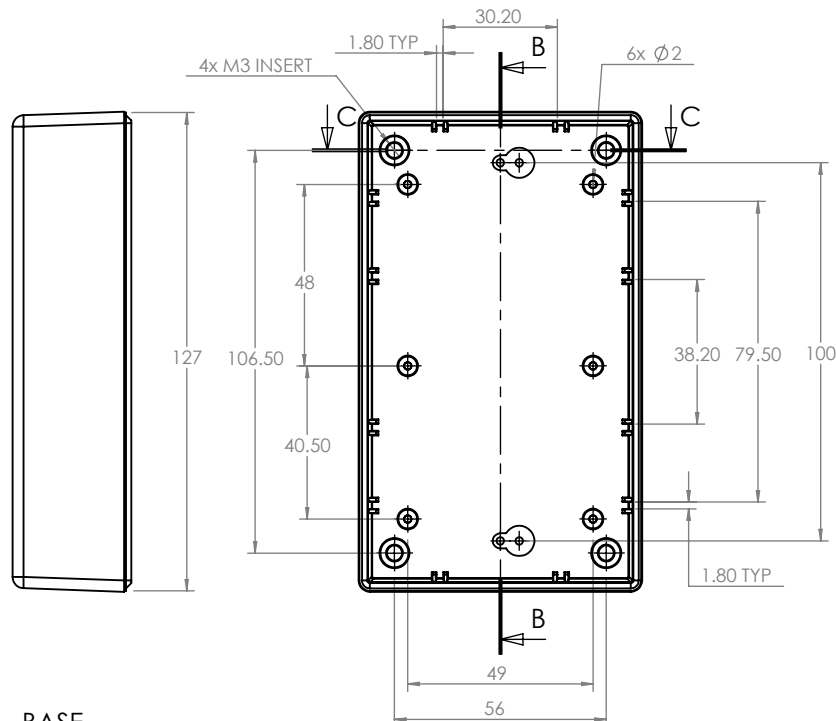
INTERNAL - 122 x 70 x 38.5



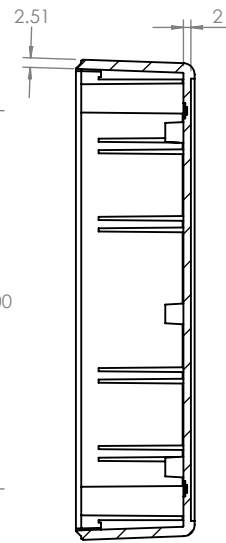
SECTION C-C



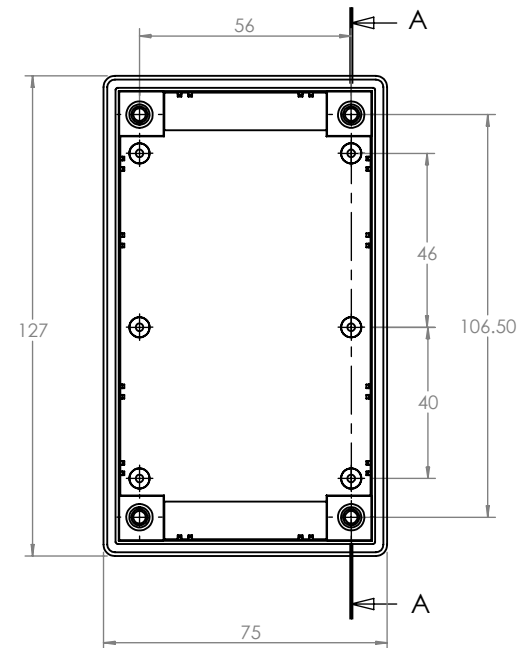
ISO VIEW
1:3



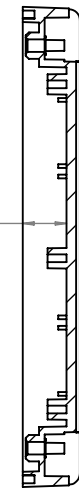
BASE



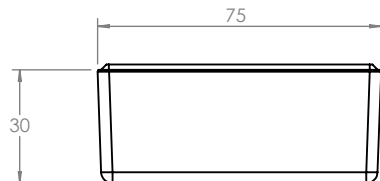
SECTION B-B




SECTION A-A



LID



 CAMDENBOSS® CONNECT. ENCLOSE. INNOVATE. JAMES CARTER RD, MILDENHALL, SUFFOLK. IP28 7DE TEL: 01638 716101 FAX: 01638 716554 EMAIL: Sales@CamdenBoss.com WEB: www.CamdenBoss.com				UNLESS OTHERWISE SPECIFIED: DIMENSIONS ARE IN MILLIMETERS		DO NOT SCALE DRAWING		REVISION. B	
				GENERAL TOLERANCES +/- 0.2		TITLE: ASSEMBLY DRG FOR RECESS DESIGNER CASE SIZE 5			
FINISH. LIGHT SPARK				MATERIAL. UL 94 - V0 ABS		DWG NO. CRDCGG005		A4	
DRAWN	NAME IAN PAGANO	SIGNED I.P.	DATE 24/09/13	PROJECTION.		SCALE. 1:2		SHEET 1 OF 1	