

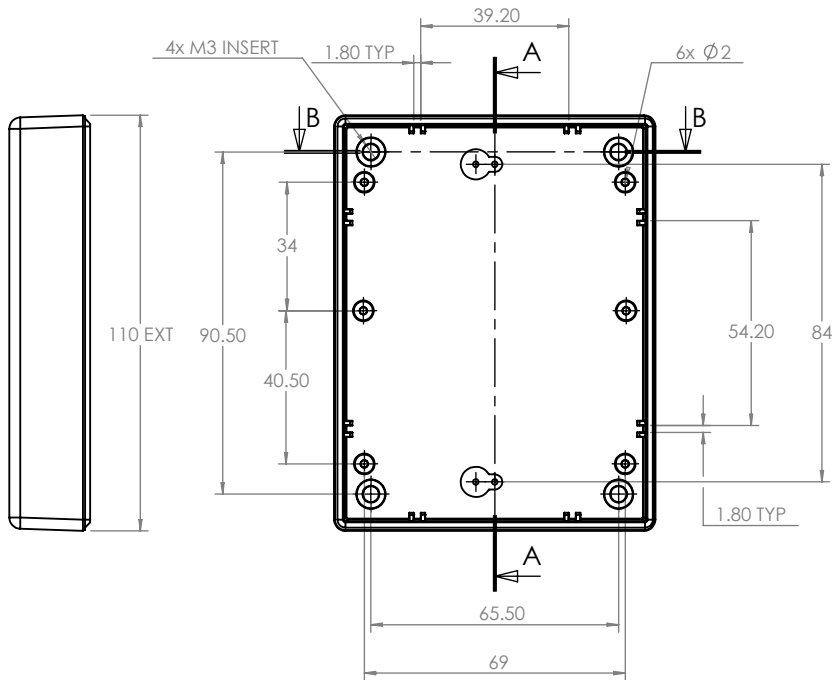
OVERALL ASSEMBLY DIMENSIONS:

EXTERNAL - 110 x 85 x 35

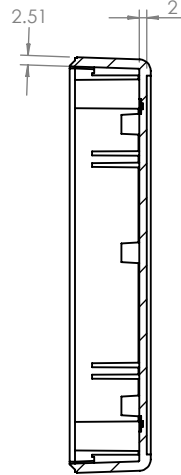
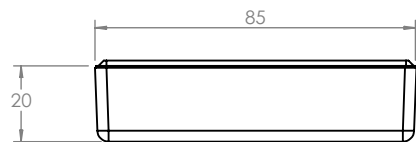
INTERNAL - 105 x 80 x 28.5



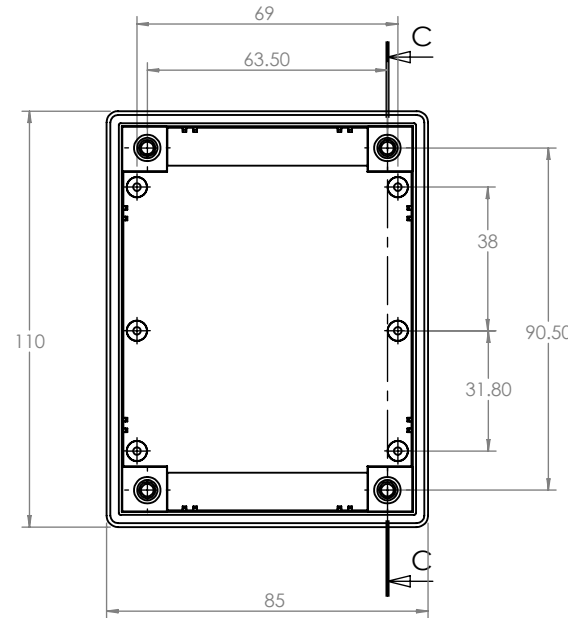
SECTION B-B



BASE



SECTION A-A



SECTION C-C

LID

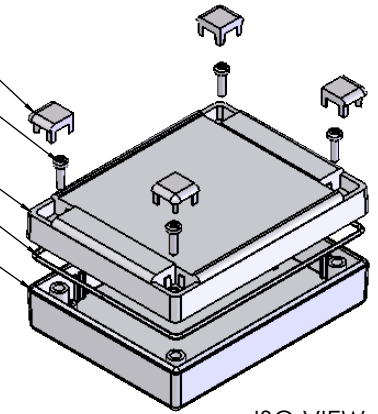
CORNER/SCREW CAP

M3 SCREW

LID

GASKET

BASE



ISO VIEW  
1:3

**CAMDENBOSS®**  
CONNECT. ENCLOSE. INNOVATE.

JAMES CARTER RD, MILDENHALL, SUFFOLK. IP28 7DE  
TEL: 01638 716101 FAX: 01638 716554  
EMAIL: Sales@CamdenBoss.com  
WEB: www.CamdenBoss.com

UNLESS OTHERWISE SPECIFIED:  
DIMENSIONS ARE IN MILLIMETERS

GENERAL TOLERANCES +/- 0.2

FINISH:  
LIGHT SPARK

MATERIAL:  
UL 94 - V0 ABS

PROJECTION.

DO NOT SCALE DRAWING

REVISION. B

TITLE: ASSEMBLY DRG FOR RECESS DESIGNER CASE SIZE 3 GREY

DWG NO. CRDCGG003

A4

SCALE: 1:2

SHEET 1 OF 1

	NAME	SIGNED	DATE
DRAWN	IAN PAGANO	I.P.	24/09/13
CHKD	-	-	-