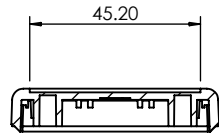


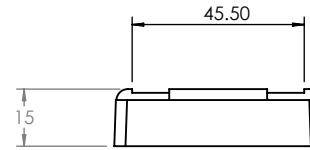
OVERALL ASSEMBLY DIMENSIONS :

EXTERNAL - 90 x 55 x 25

INTERNAL - 85 x 50 x 23.5



SECTION C-C



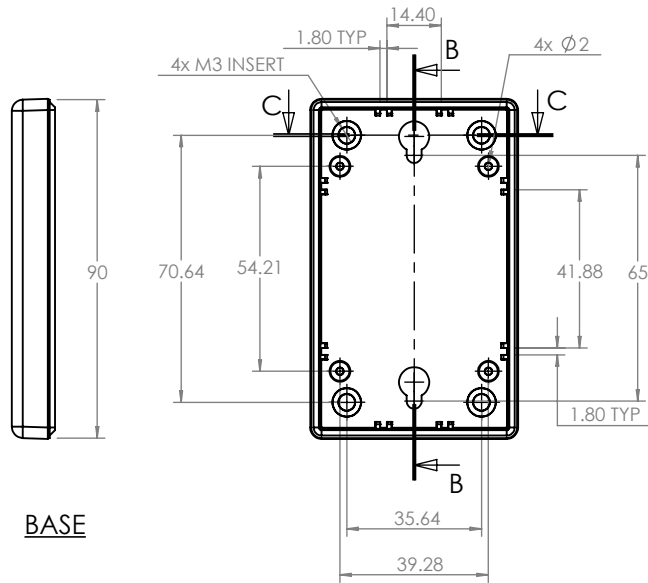
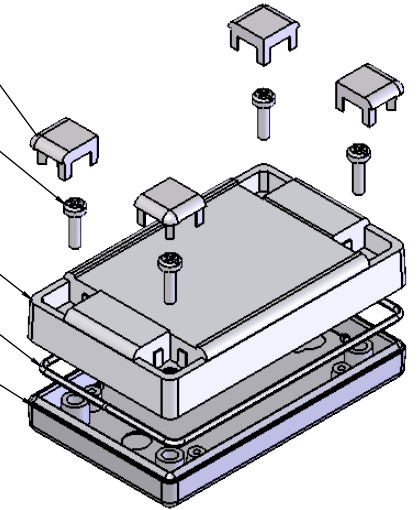
CORNER/SCREW CAP

M3 SCREW

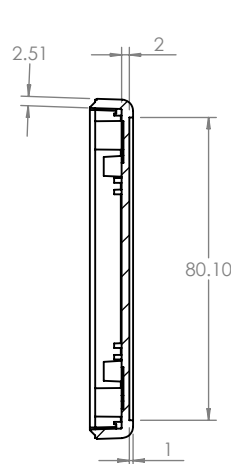
LID

GASKET

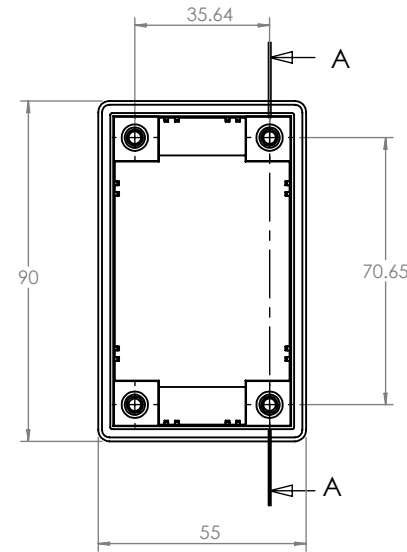
BASE



BASE

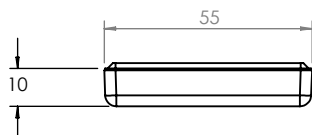




SECTION B-B



SECTION A-A

LID



 CAMDENBOSS® CONNECT. ENCLOSE. INNOVATE.		UNLESS OTHERWISE SPECIFIED: DIMENSIONS ARE IN MILLIMETERS		DO NOT SCALE DRAWING	REVISION. B
		GENERAL TOLERANCES +/- 0.2		TITLE: ASSEMBLY DRG FOR RECESS DESIGNER CASE SIZE 1 GREY	
FINISH. LIGHT SPARK		MATERIAL. UL 94 - V0 ABS		DWG NO. CRDCGG001	A4
DRAWN	IAN PAGANO	SIGNED	I.P.	DATE	24/09/13
CHKD	-	-	-	-	-
PROJECTION.				SCALE. 1:2	SHEET 1 OF 1