

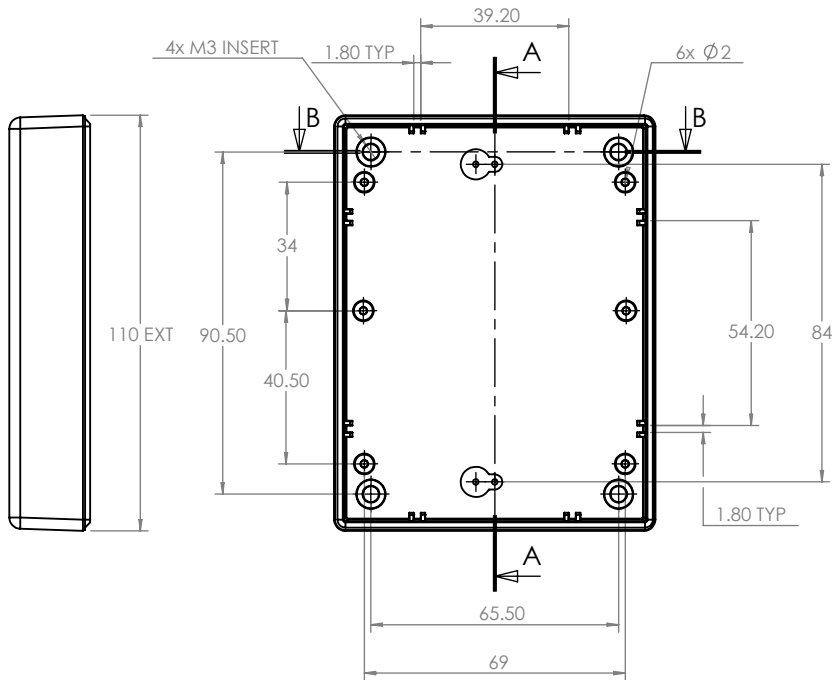
OVERALL ASSEMBLY DIMENSIONS:

EXTERNAL - 110 x 85 x 35

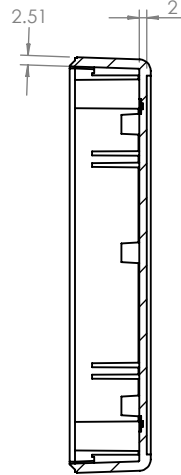
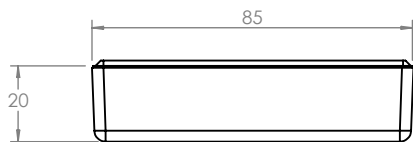
INTERNAL - 105 x 80 x 28.5



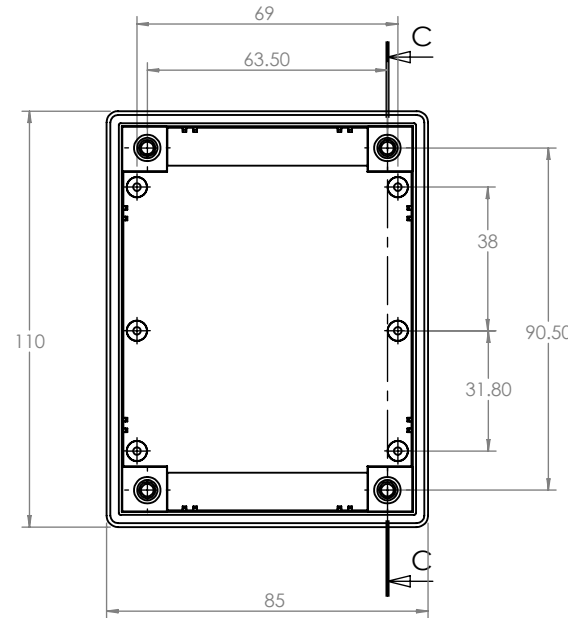
SECTION B-B



BASE



SECTION A-A



SECTION C-C

LID

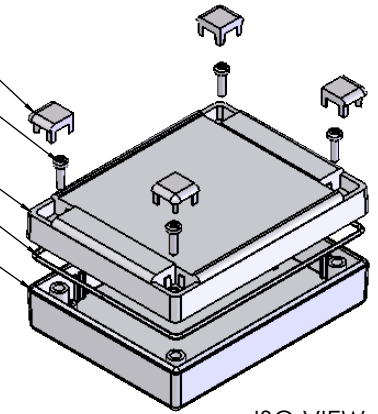
CORNER/SCREW CAP

M3 SCREW


LID

GASKET

BASE



ISO VIEW
1:3

 CAMDENBOSS JAMES CARTER RD, MILDENHALL, SUFFOLK. IP28 7DE TEL: 01638 716101 FAX: 01638 716554 EMAIL: Sales@CamdenBoss.com WEB: www.CamdenBoss.com				UNLESS OTHERWISE SPECIFIED: DIMENSIONS ARE IN MILLIMETERS		DO NOT SCALE DRAWING		REVISION. B	
				GENERAL TOLERANCES +/- 0.2		TITLE: ASSEMBLY DRG FOR RECESS DESIGNER CASE SIZE 3 GREY			
FINISH. LIGHT SPARK				MATERIAL. UL 94 - V0 ABS		DWG NO. CRDCGG003		A4	
DRAWN	IAN PAGANO	SIGNED	I.P.	DATE	24/09/13	SCALE. 1:2		SHEET 1 OF 1	
CHKD	-	-	-	-	-	PROJECTION. 