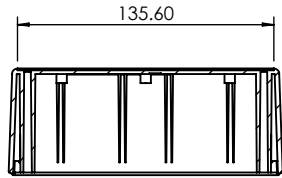


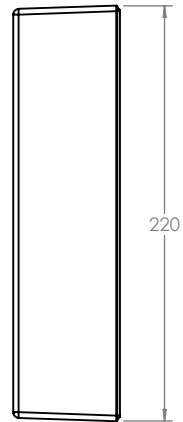
OVERALL ASSEMBLY DIMENSIONS:

EXTERNAL - 220 x 145 x 80

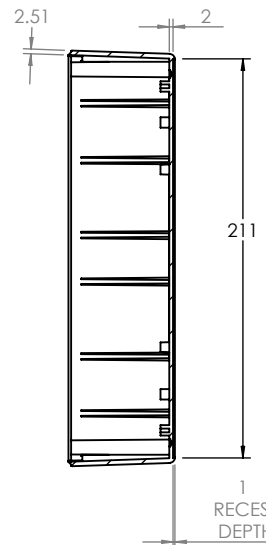
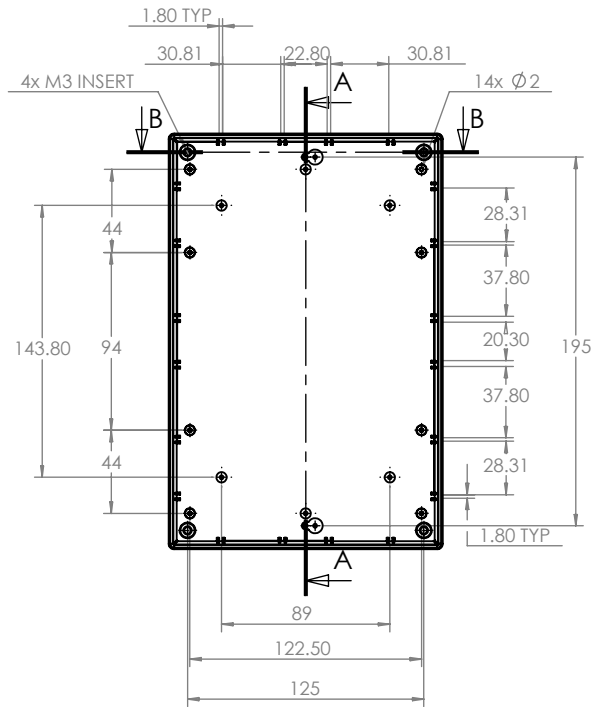
INTERNAL - 215 x 140 x 73.5



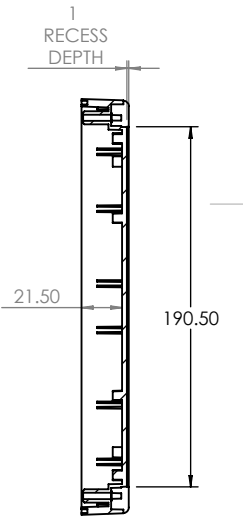
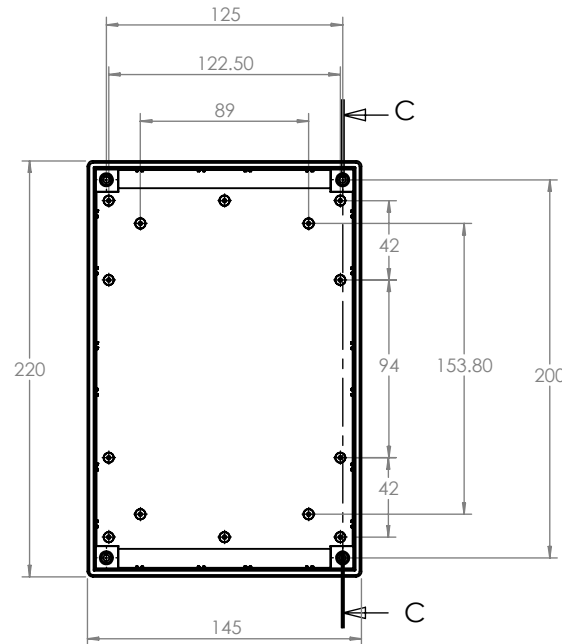
SECTION B-B



BASE



SECTION A-A



SECTION C-C

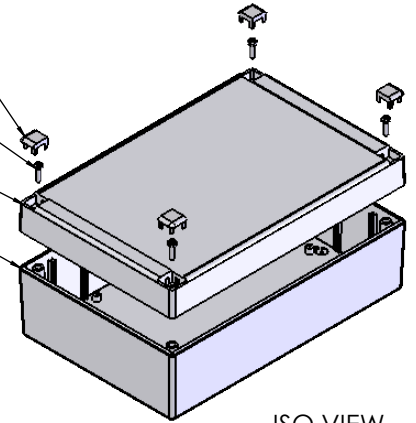
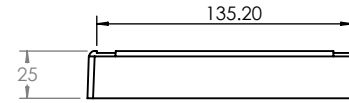
LID

CORNER/SCREW CAP

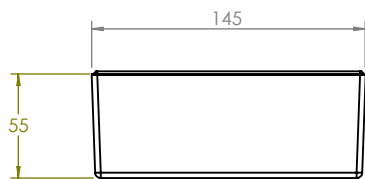
SCREW


LID

BASE



ISO VIEW  
1:5



 <b>CAMDENBOSS®</b> CONNECT. ENCLOSE. INNOVATE.		UNLESS OTHERWISE SPECIFIED: DIMENSIONS ARE IN MILLIMETERS		DO NOT SCALE DRAWING	REVISION. B
		GENERAL TOLERANCES +/- 0.2		TITLE: ASSEMBLY DRG FOR RECESS DESIGNER CASE SIZE 9 GREY	
FINISH. LIGHT SPARK		MATERIAL. UL 94 - V0 ABS		DWG NO. CRDCG0009	A4
DRAWN IAN PAGANO	SIGNED I.P.	DATE 19/10/15	PROJECTION.	SCALE. 1:4	SHEET 1 OF 1