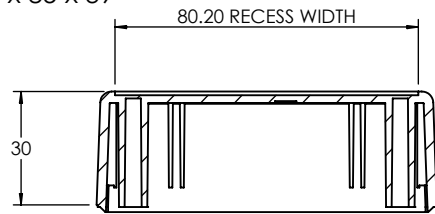


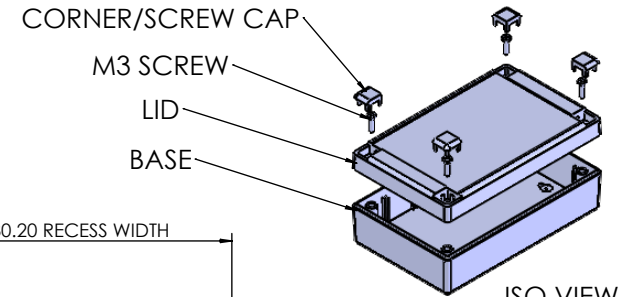
OVERALL ASSEMBLY DIMENSIONS:

EXTERNAL - 145 x 90 x 45.5

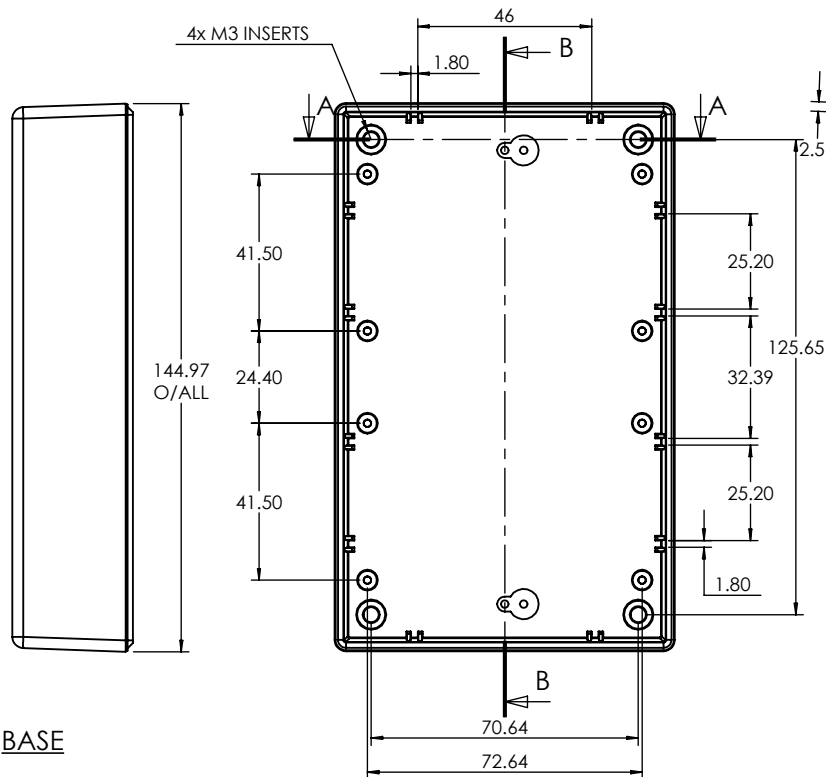
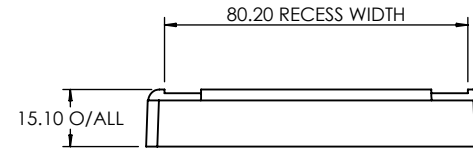
INTERNALS - 140 x 85 x 39



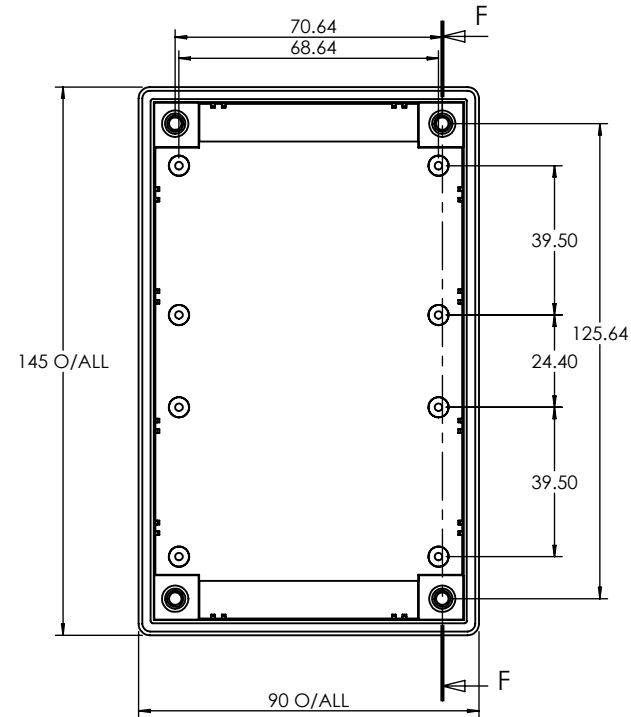
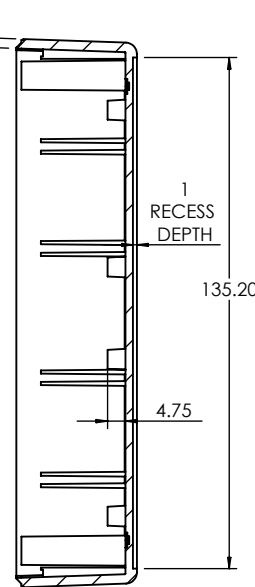
SECTION A-A
SCALE 1 : 2



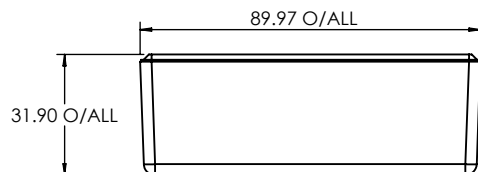
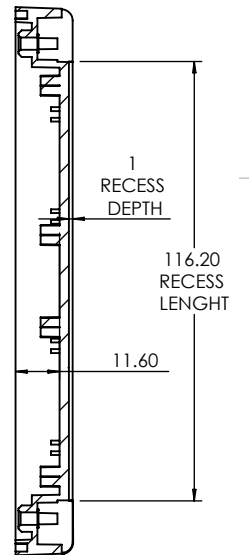
ISO VIEW
1:5



SECTION B-B
SCALE 1 : 2



SECTION F-F
SCALE 1 : 2



<p>CAMDENBOSS® CONNECT. ENCLOSE. INNOVATE.</p> <p>JAMES CARTER RD, MILDENHALL, SUFFOLK. IP28 7DE TEL: 01638 716101 FAX: 01638 716554 EMAIL: Sales@CamdenBoss.com WEB: www.CamdenBoss.com</p>		UNLESS OTHERWISE SPECIFIED: DIMENSIONS ARE IN MILLIMETERS		DO NOT SCALE DRAWING		REVISION. B	
		GENERAL TOLERANCES +/- 0.2		TITLE: ASSEMBLY DRG FOR RECESS DESIGNER CASE SIZE 6 GREY			
FINISH. LIGHT SPARK		MATERIAL. UL 94 - V0 ABS		DWG NO. CRDCG0006		A4	
DRAWN	NAME IAN PAGANO	SIGNED I.P.	DATE 20/01/14	SCALE. 1:2		SHEET 1 OF 1	
CHKD	-	-	-	PROJECTION.			