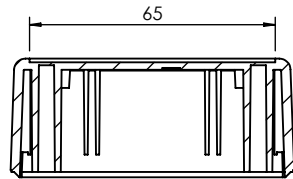


OVERALL ASSEMBLY DIMENSIONS:

EXTERNAL - 127 x 75 x 45

INTERNAL - 122 x 70 x 38.5



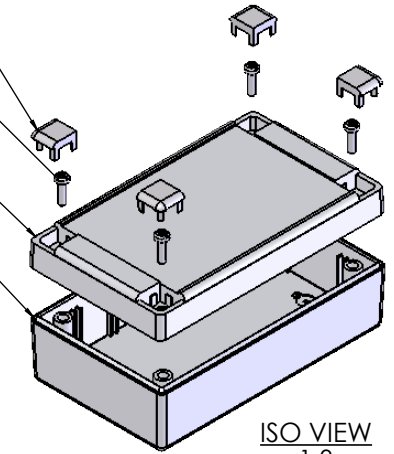
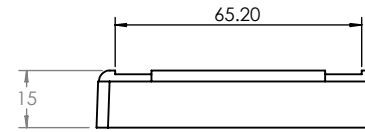
SECTION C-C

CORNER/SCREW CAP

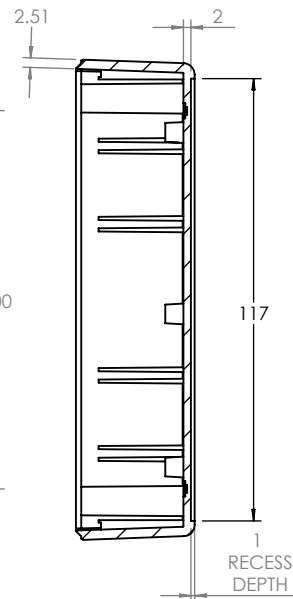
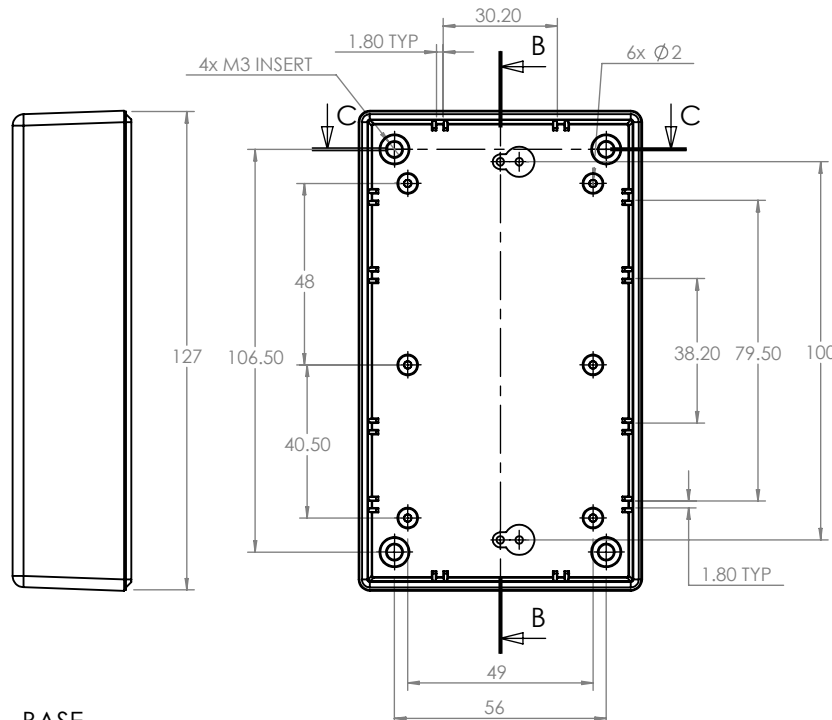
M3 SCREW

LID

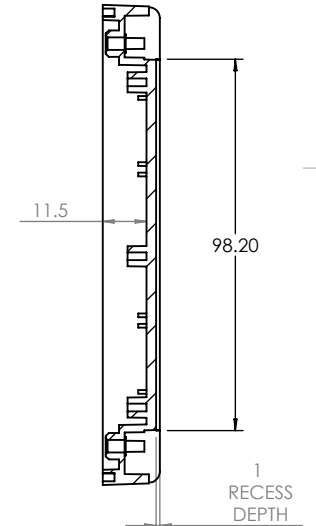
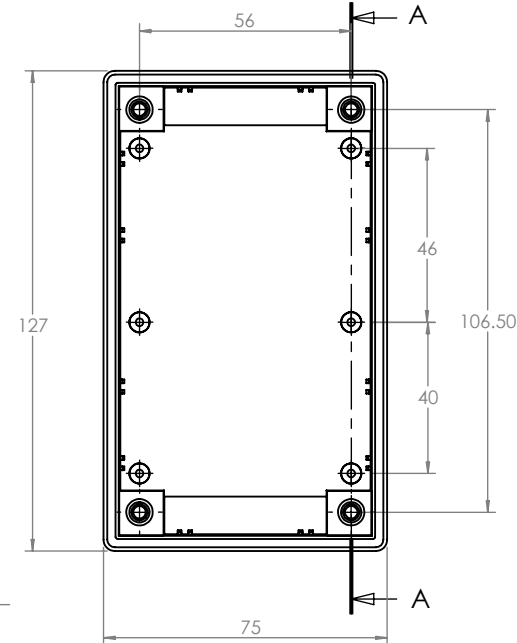
BASE



ISO VIEW  
1:3

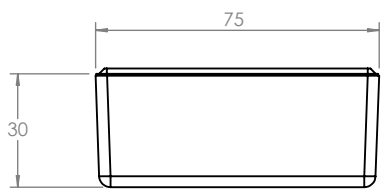


SECTION B-B





SECTION A-A

LID



BASE

 <b>CAMDENBOSS®</b> <small>CONNECT. ENCLOSE. INNOVATE.</small>		UNLESS OTHERWISE SPECIFIED: DIMENSIONS ARE IN MILLIMETERS		DO NOT SCALE DRAWING		REVISION. <b>B</b>	
		GENERAL TOLERANCES +/- 0.2		TITLE: <b>ASSEMBLY DRG FOR RECESS DESIGNER CASE SIZE 5 GREY</b>			
FINISH. <b>LIGHT SPARK</b>		MATERIAL. <b>UL - 94 V0 ABS</b>		DWG NO. <b>CRDCG0005</b>		<b>A4</b>	
DRAWN	NAME <b>IAN PAGANO</b>	SIGNED <b>I.P.</b>	DATE <b>19/10/15</b>	PROJECTION. 		SCALE. <b>1:2</b>	
CHKD	-	-	-	SHEET 1 OF 1			