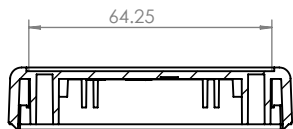


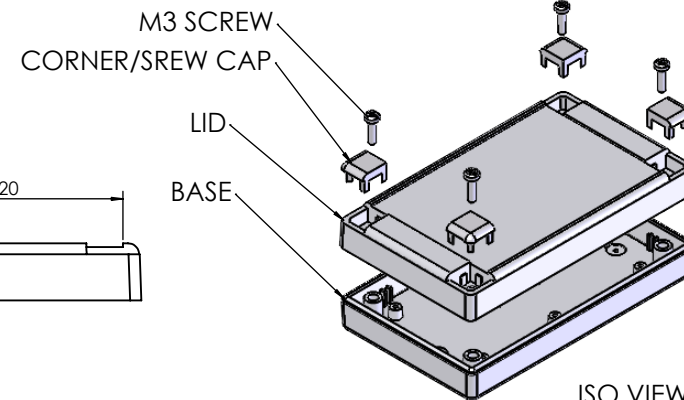
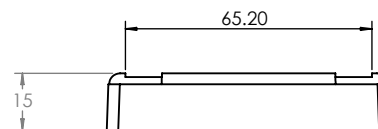
OVERALL ASSEMBLY DIMENSIONS:

EXTERNAL - 127 x 75 x 30

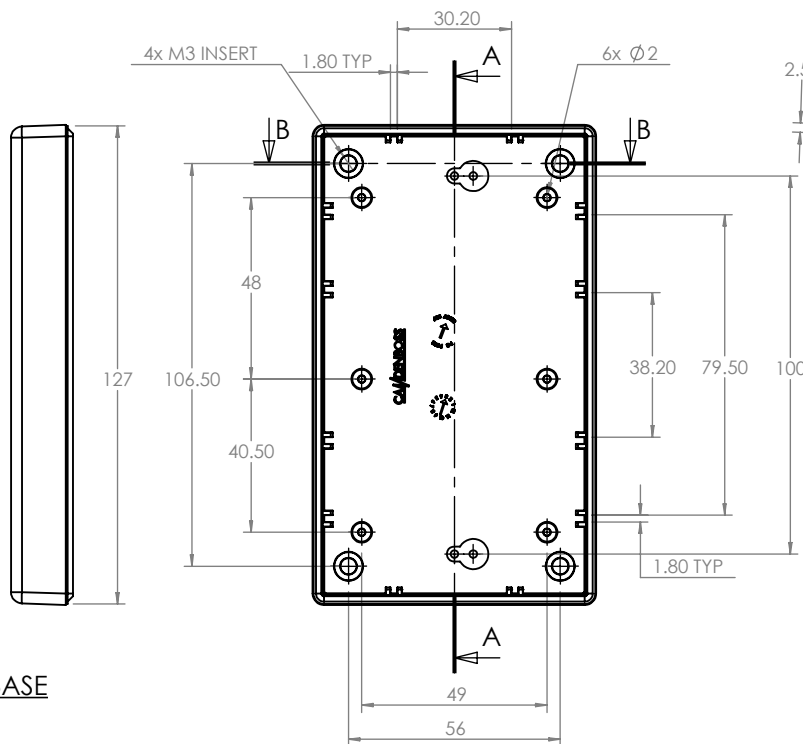
INTERNAL - 122 x 70 x 23.5



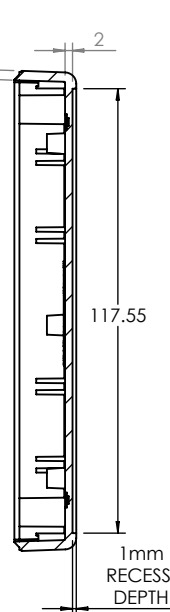
SECTION B-B



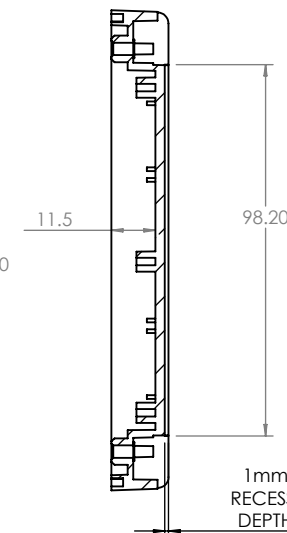
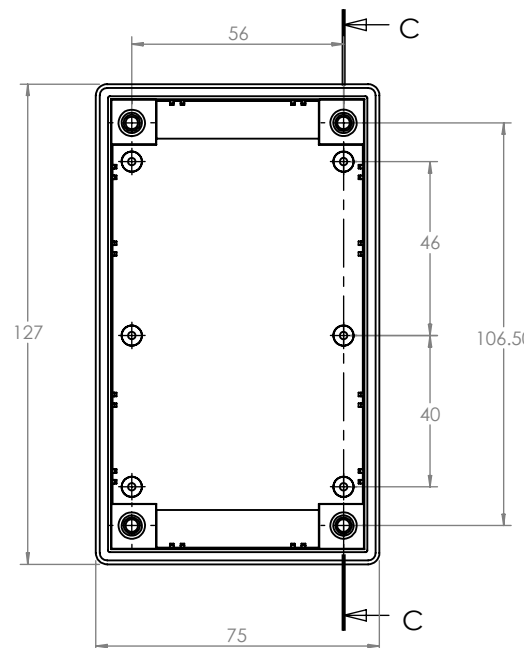
ISO VIEW  
1:3



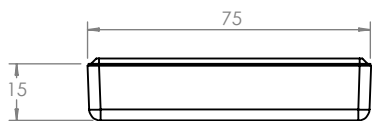
BASE



SECTION A-A



SECTION C-C  
LID



<p><b>CAMDENBOSS®</b> CONNECT. ENCLOSE. INNOVATE.</p> <p>JAMES CARTER RD, MILDENHALL, SUFFOLK. IP28 7DE TEL: 01638 716101 FAX: 01638 716554 EMAIL: Sales@CamdenBoss.com WEB: www.CamdenBoss.com</p>		UNLESS OTHERWISE SPECIFIED: DIMENSIONS ARE IN MILLIMETERS		DO NOT SCALE DRAWING		REVISION. B	
		FINISH: <b>LIGHT SPARK</b>		TITLE: <b>ASSEMBLY DRG FOR RECESS DESIGNER CASE SIZE 4 GREY</b>			
DRAWN IAN PAGANO		SIGNED I.P.		DATE 20/01/14		MATERIAL: <b>UL 94 - V0 ABS</b>	
CHKD -		-		-		DWG NO. <b>CRDCG0004</b>	
				PROJECTION.		SCALE: 1 : 2	
						SHEET 1 OF 1	

A4