

OVERALL ASSEMBLY DIMENSIONS:

EXTRENAL - 90 x 55 x 40

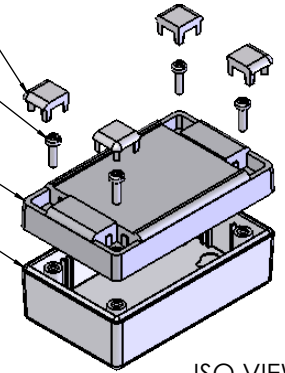
INTERNAL - 85 x 50 x 33.5

CORNER/SCREW CAP

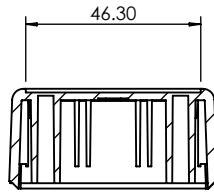
M3 SCREW

LID

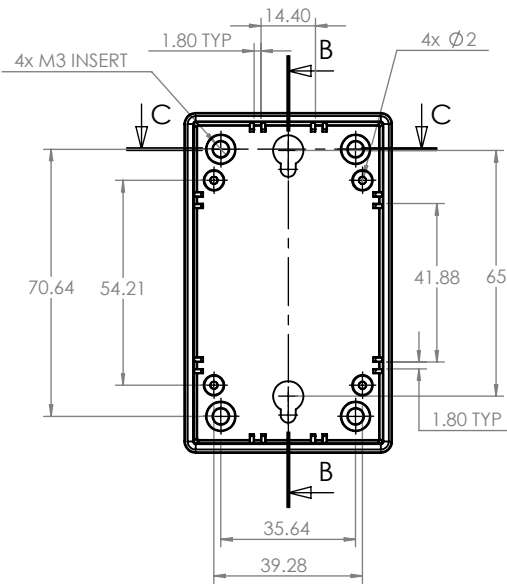
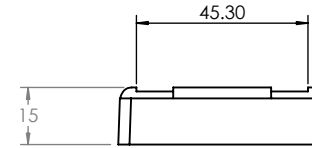
BASE



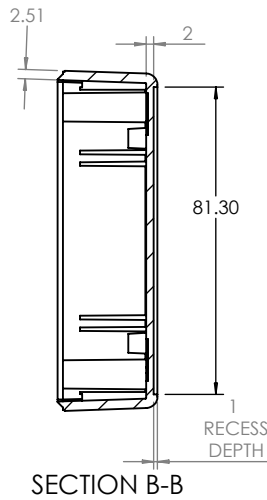
ISO VIEW
1:3



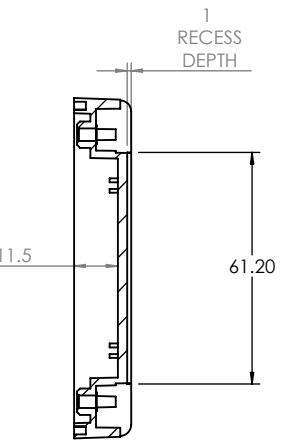
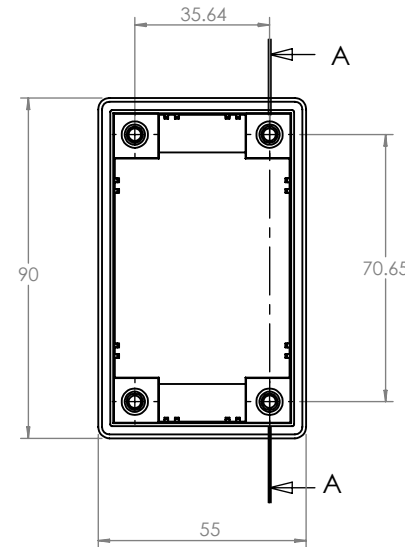
SECTION C-C



BASE

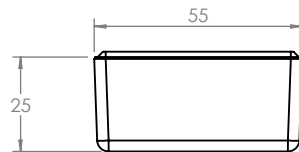


SECTION B-B



SECTION A-A

LID



<p>CAMDENBOSS® CONNECT. ENCLOSE. INNOVATE.</p> <p>JAMES CARTER RD, MILDENHALL, SUFFOLK. IP28 7DE TEL: 01638 716101 FAX: 01638 716554 EMAIL: Sales@CamdenBoss.com WEB: www.CamdenBoss.com</p>		UNLESS OTHERWISE SPECIFIED: DIMENSIONS ARE IN MILLIMETERS		DO NOT SCALE DRAWING		REVISION. B	
		GENERAL TOLERANCES +/- 0.2		TITLE: ASSEMBLY DRG FOR RECESS DESIGNER CASE SIZE 2 GREY			
DRAWN IAN PAGANO		SIGNED I.P.		DATE 24/09/13		MATERIAL. UL 94 - V0 ABS	
CHKD -		SIGNED -		DATE -		FINISH. LIGHT SPARK	
PROJECTION.				DWG NO. CRDCG0002		A4	
SCALE. 1:2		SHEET 1 OF 1					