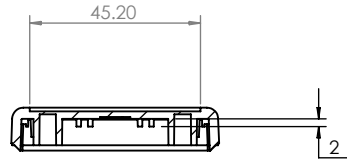


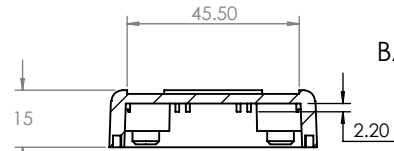
OVERALL ASSEMBLY DIMENSIONS :

EXTERNAL - 90 x 55 x 25

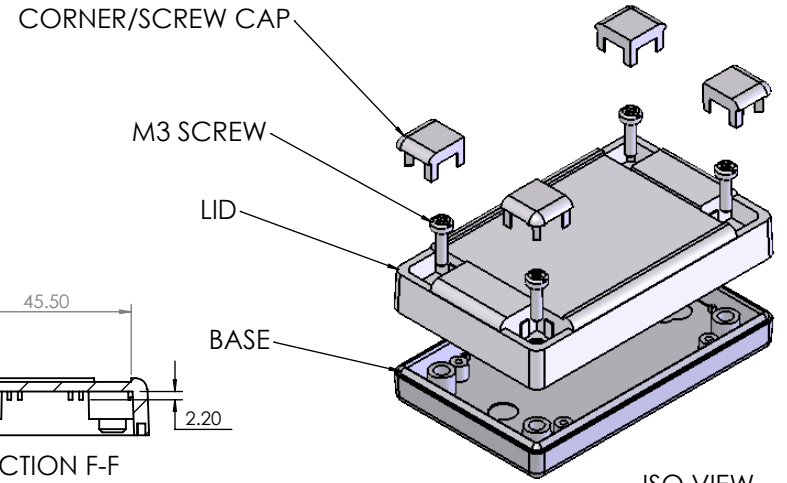
INTERNAL - 85 x 50 x 23.5



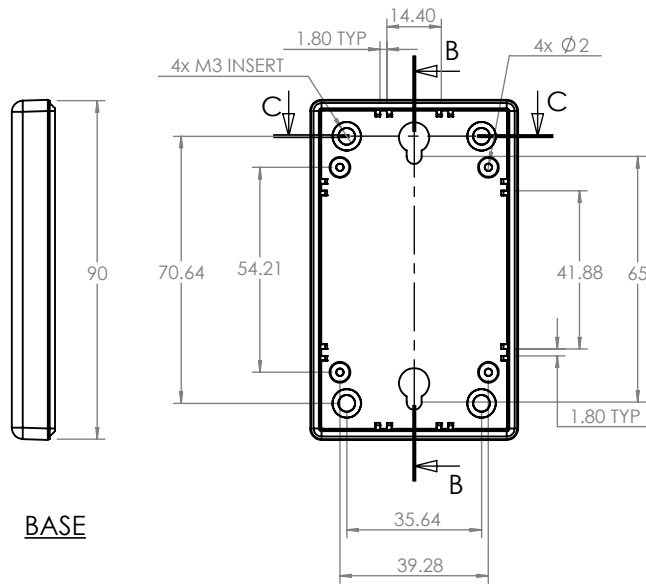
SECTION C-C



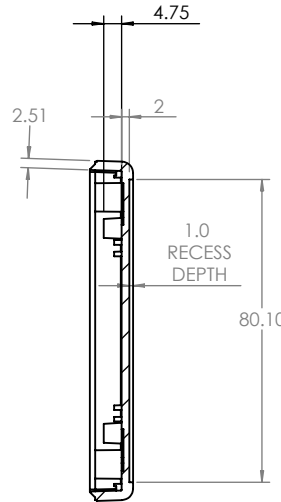
SECTION F-F



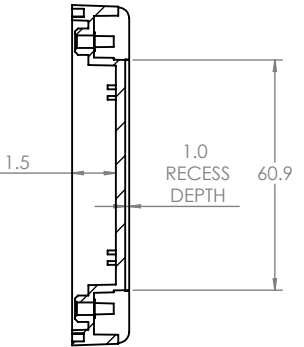
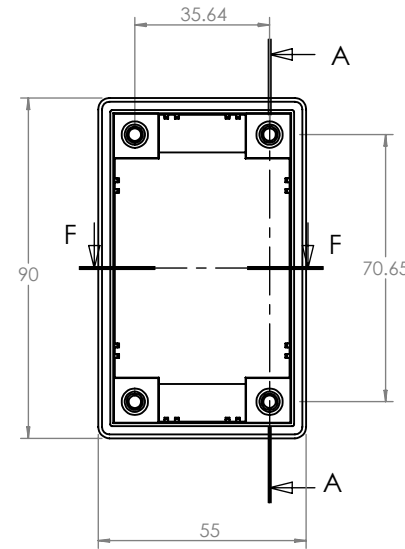
ISO VIEW



BASE

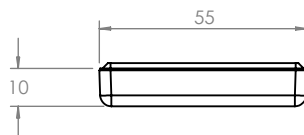



SECTION B-B



SECTION A-A

LID



 CAMDENBOSS® CONNECT. ENCLOSE. INNOVATE.		UNLESS OTHERWISE SPECIFIED: DIMENSIONS ARE IN MILLIMETERS		DO NOT SCALE DRAWING	REVISION. A
		GENERAL TOLERANCES +/- 0.2		TITLE: ASSEMBLY DRG FOR RECESS DESIGNER CASE SIZE 1 GREY	
FINISH. LIGHT SPARK		MATERIAL. ABS HB		DWG NO. CRDCG0001	
DRAWN	NAME IAN PAGANO	SIGNED I.P.	DATE 24/09/13	SCALE: 1:2	
CHKD	-	-	-	SHEET 1 OF 1	

A4