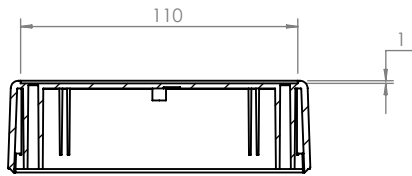


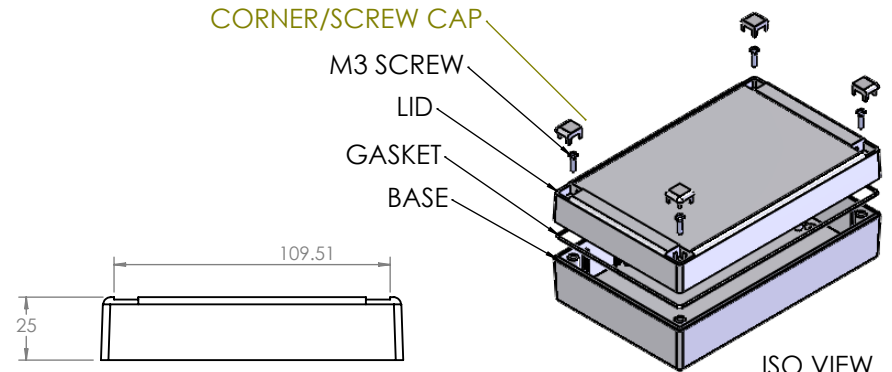
OVERALL ASSEMBLY DIMENSIONS:

EXTERNAL - 190 x 120 x 60

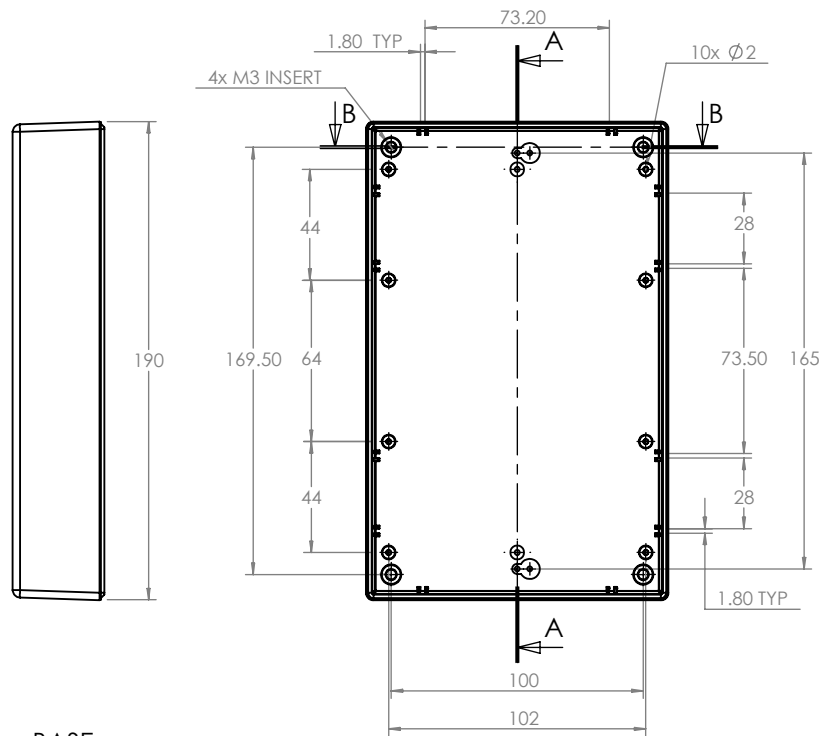
INTERNAL - 185 x 115 x 53.5



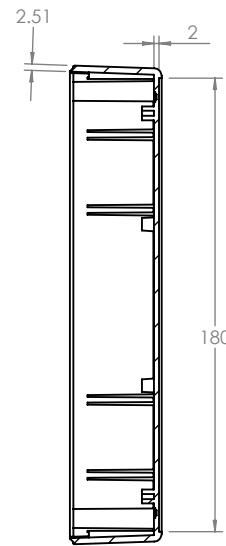
SECTION B-B



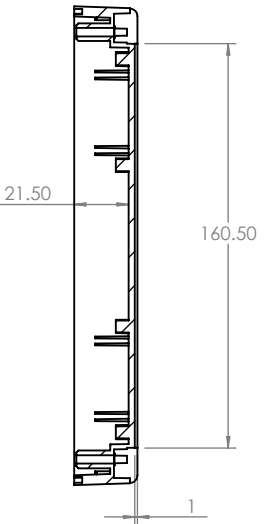
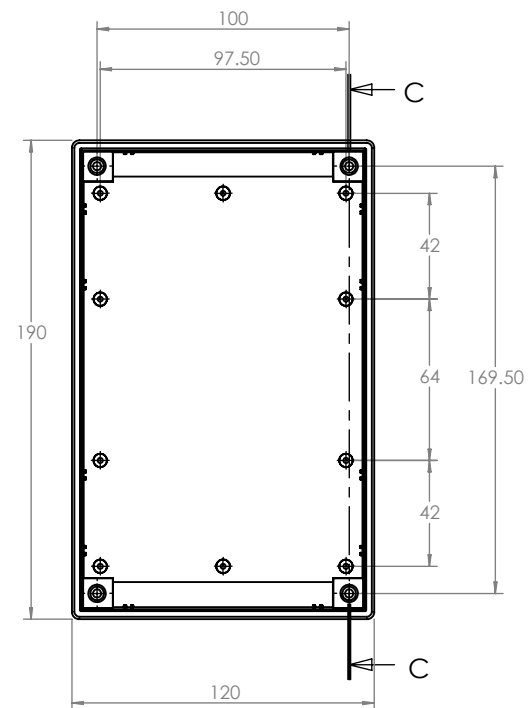
ISO VIEW
1:5



BASE

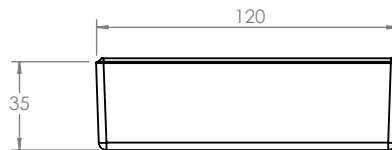




SECTION A-A



SECTION C-C

LID



 CAMDENBOSS® CONNECT. ENCLOSE. INNOVATE. JAMES CARTER RD, MILDENHALL, SUFFOLK. IP28 7DE TEL: 01638 716101 FAX: 01638 716554 EMAIL: Sales@CamdenBoss.com WEB: www.CamdenBoss.com				UNLESS OTHERWISE SPECIFIED: DIMENSIONS ARE IN MILLIMETERS		DO NOT SCALE DRAWING		REVISION: C	
				GENERAL TOLERANCES +/- 0.2		TITLE: ASSEMBLY DRG FOR RECESS DESIGNER CASE SIZE 7 GREY			
FINISH: LIGHT SPARK				MATERIAL: UL 94 - V0 ABS		DWG NO. CRDCERG07		A4	
DRAWN	NAME	SIGNED	DATE	PROJECTION: 		SCALE: 1:3		SHEET 1 OF 1	
CHKD	-	-	-						