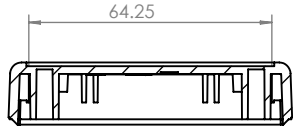


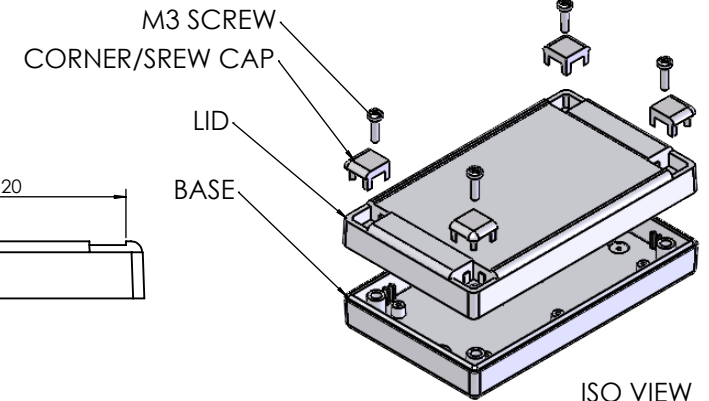
OVERALL ASSEMBLY DIMENSIONS:

EXTERNAL - 127 x 75 x 30

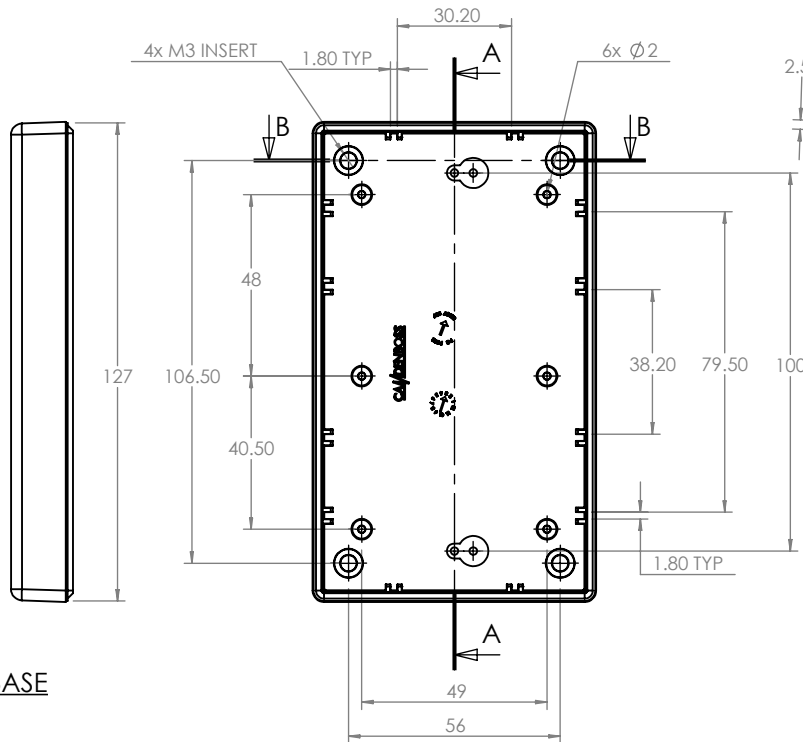
INTERNAL - 122 x 70 x 23.5



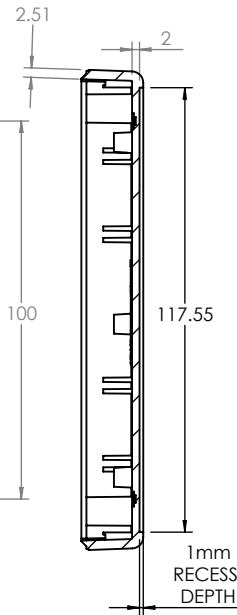
SECTION B-B



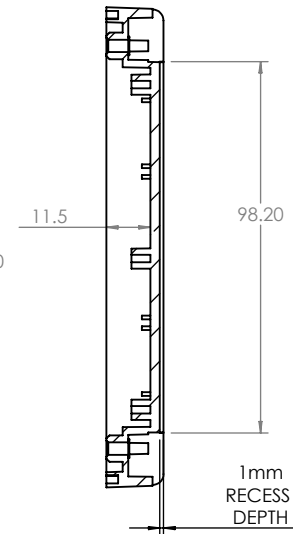
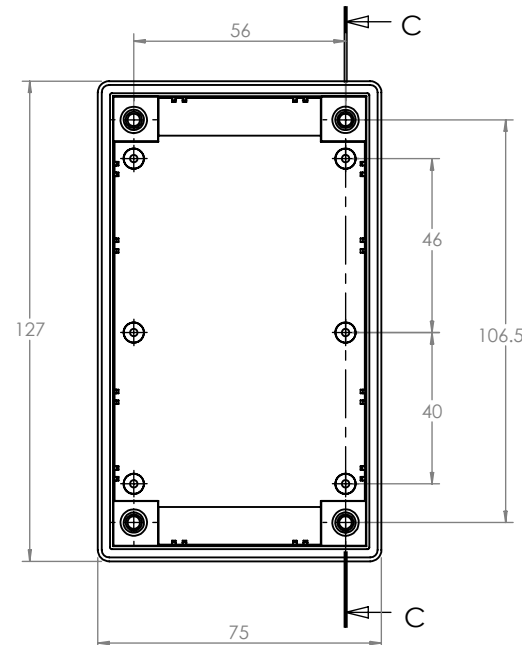
ISO VIEW  
1:3



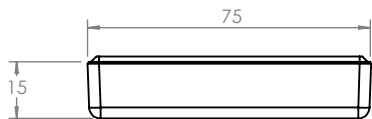
BASE



SECTION A-A



SECTION C-C LID



<p><b>CAMDENBOSS®</b> CONNECT. ENCLOSE. INNOVATE.</p> <p>JAMES CARTER RD, MILDENHALL, SUFFOLK. IP28 7DE TEL: 01638 716101 FAX: 01638 716554 EMAIL: Sales@CamdenBoss.com WEB: www.CamdenBoss.com</p>		UNLESS OTHERWISE SPECIFIED: DIMENSIONS ARE IN MILLIMETERS		DO NOT SCALE DRAWING		REVISION. B	
		FINISH: LIGHT SPARK		TITLE: ASSEMBLY DRG FOR RECESS DESIGNER CASE SIZE 4 GREY			
DRAWN IAN PAGANO		SIGNED I.P.		DATE 20/01/14		MATERIAL: UL 94 - V0 ABS	
CHKD -		-		-		DWG NO. CRDCERG04	
		PROJECTION.		SCALE: 1 : 2		SHEET 1 OF 1	
						A4	