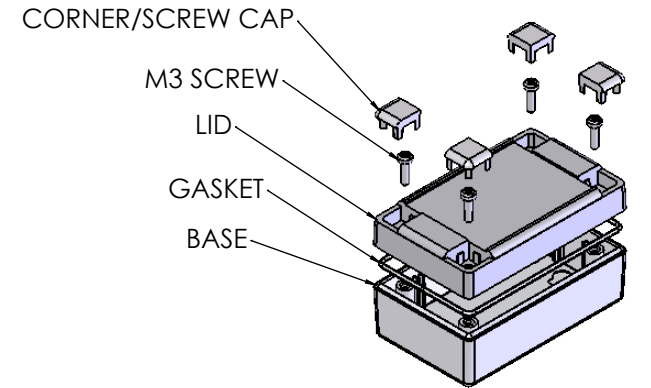


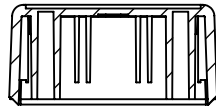
OVERALL ASSEMBLY DIMENSIONS:

EXTRENAL - 90 x 55 x 40

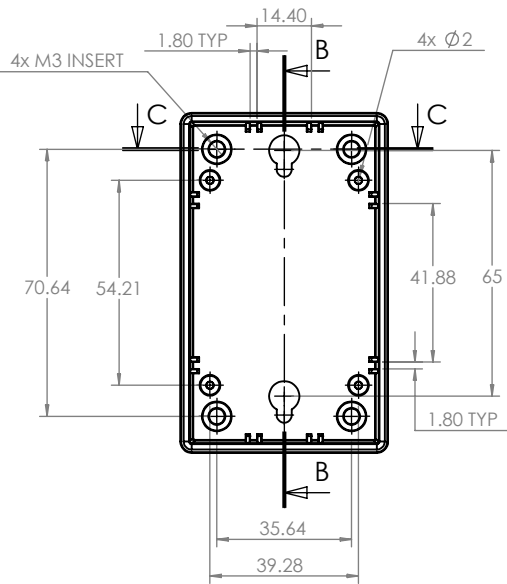
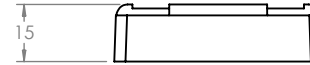
INTERNAL - 85 x 50 x 33.5



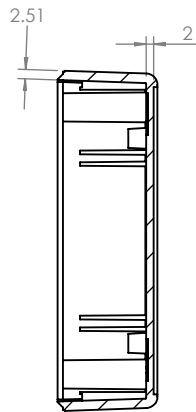
ISO VIEW
1:3



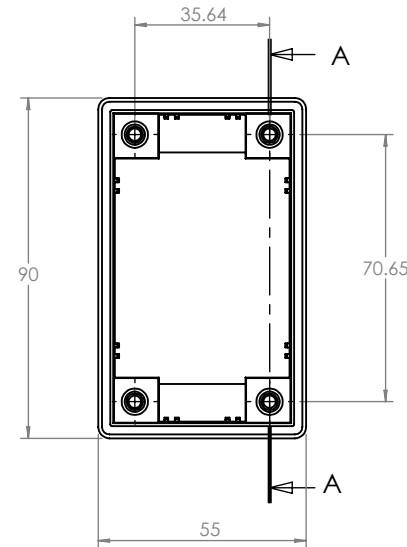
SECTION C-C



BASE

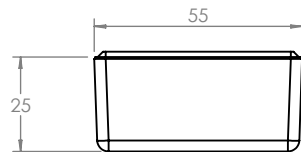


SECTION B-B



SECTION A-A

LID



<p>CAMDENBOSS® CONNECT. ENCLOSE. INNOVATE.</p> <p>JAMES CARTER RD, MILDENHALL, SUFFOLK. IP28 7DE TEL: 01638 716101 FAX: 01638 716554 EMAIL: Sales@CamdenBoss.com WEB: www.CamdenBoss.com</p>				UNLESS OTHERWISE SPECIFIED: DIMENSIONS ARE IN MILLIMETERS		DO NOT SCALE DRAWING		REVISION. B	
				GENERAL TOLERANCES +/- 0.2		TITLE: ASSEMBLY DRG FOR RECESS DESIGNER CASE SIZE 2 GREY			
FINISH. LIGHT SPARK				MATERIAL. UL 94 - V0 ABS		DWG NO. CRDCERG02		A4	
DRAWN	LEWIS LETCHFORD	SIGNED	LL	DATE	15/04/2014	SCALE. 1:2		SHEET 1 OF 1	
CHK'D	-	-	-	-	-	PROJECTION.			