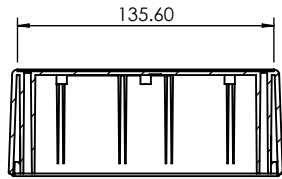


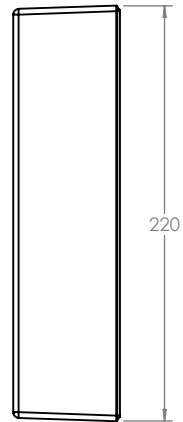
OVERALL ASSEMBLY DIMENSIONS:

EXTERNAL - 220 x 145 x 80

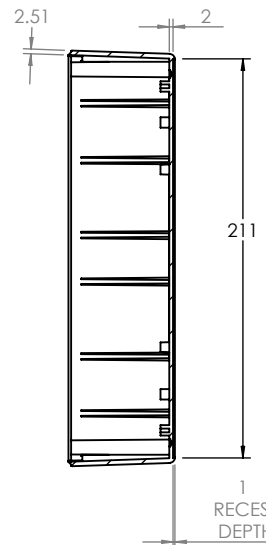
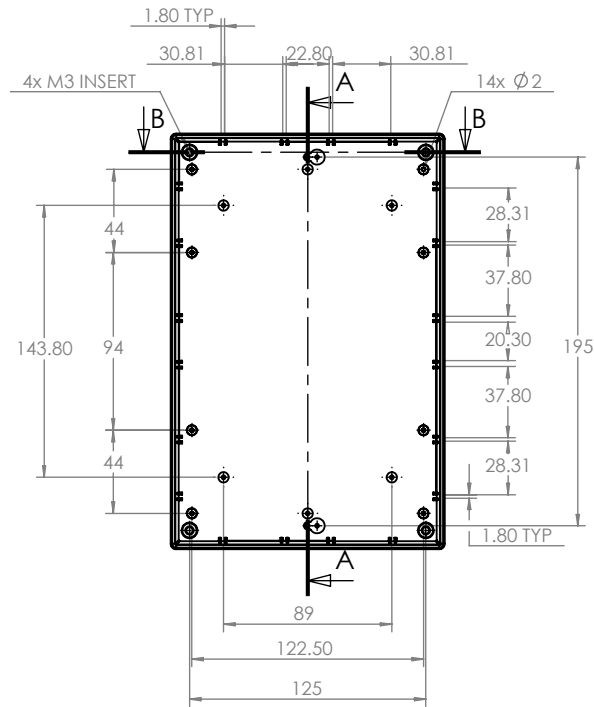
INTERNAL - 215 x 140 x 73.5



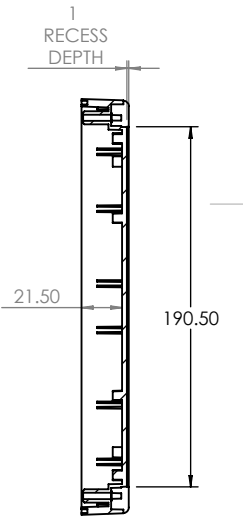
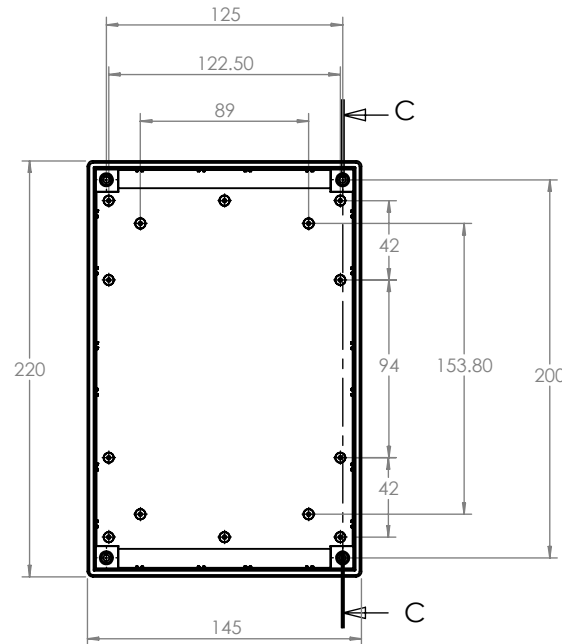
SECTION B-B



BASE



SECTION A-A



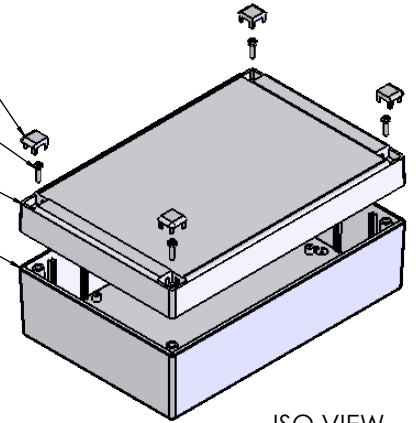
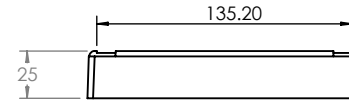
SECTION C-C

CORNER/SCREW CAP

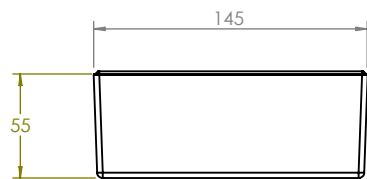
SCREW

LID


BASE



ISO VIEW
1:5



LID

 CAMDENBOSS® <small>CONNECT. ENCLOSE. INNOVATE.</small>		UNLESS OTHERWISE SPECIFIED: DIMENSIONS ARE IN MILLIMETERS		DO NOT SCALE DRAWING	REVISION. B
		GENERAL TOLERANCES +/- 0.2		TITLE: ASSEMBLY DRG FOR RECESS DESIGNER CASE SIZE 9 BLACK	
FINISH. LIGHT SPARK		MATERIAL. UL 94 - V0 ABS		DWG NO. CRDCB0009	A4
DRAWN IAN PAGANO	SIGNED I.P.	DATE 19/10/15	PROJECTION.	SCALE: 1:4	SHEET 1 OF 1