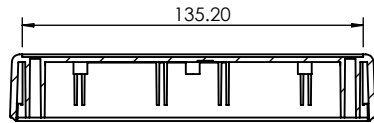


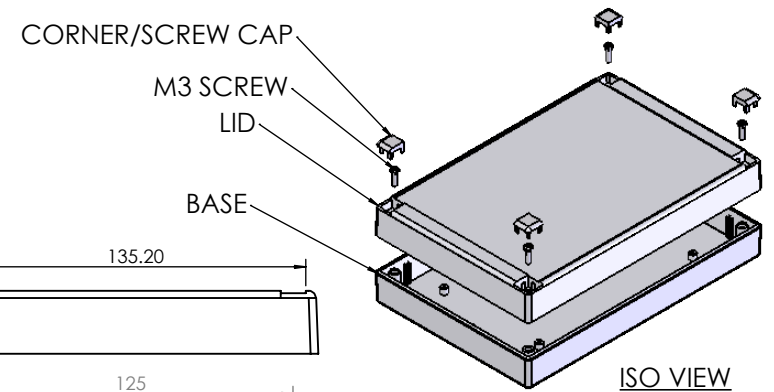
OVERALL ASSEMBLY DIMENSIONS:

EXTERNAL - 220 x 145 x 50

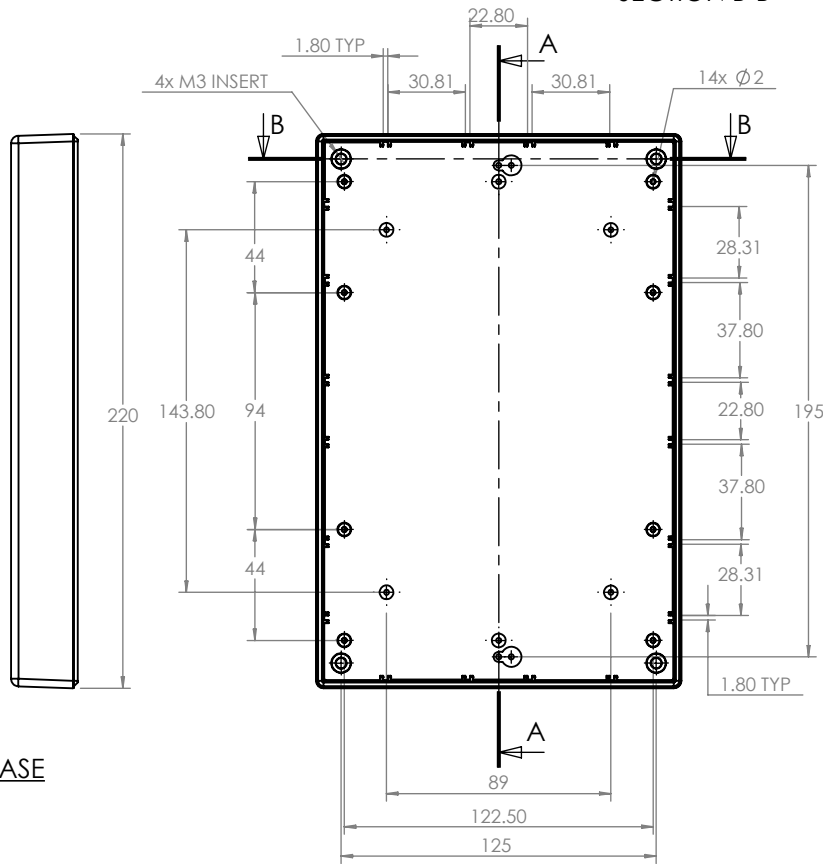
INTERNAL - 215 x 140 x 43.5



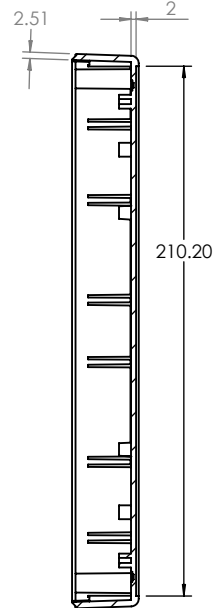
SECTION B-B



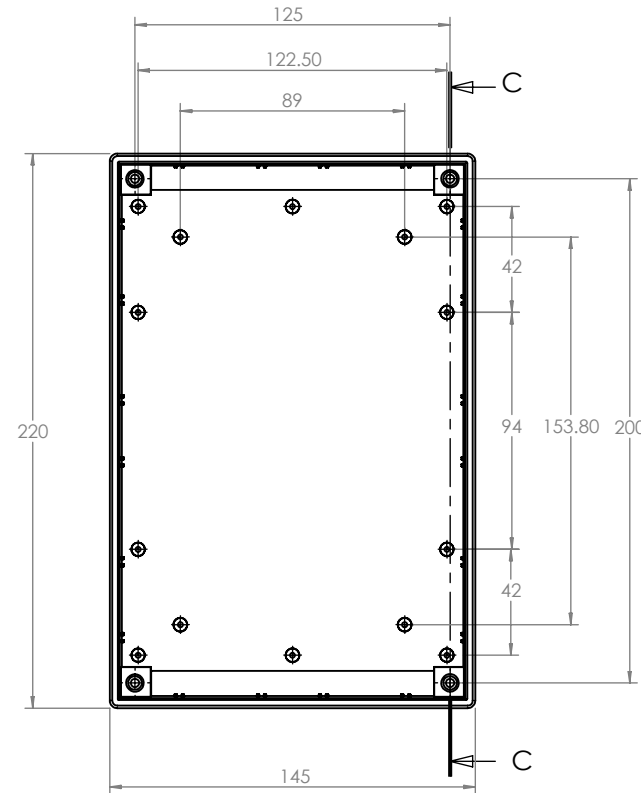
ISO VIEW
1:5



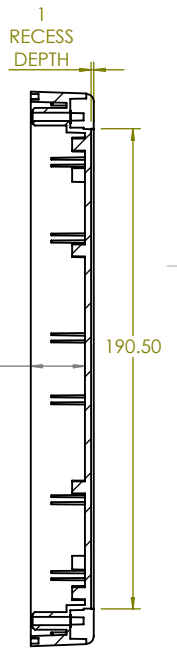
BASE




SECTION A-A



SECTION C-C



LID

 CAMDENBOSS® CONNECT. ENCLOSE. INNOVATE. JAMES CARTER RD, MILDENHALL, SUFFOLK. IP28 7DE TEL: 01638 716101 FAX: 01638 716554 EMAIL: Sales@CamdenBoss.com WEB: www.CamdenBoss.com				UNLESS OTHERWISE SPECIFIED: DIMENSIONS ARE IN MILLIMETERS		DO NOT SCALE DRAWING		REVISION. B	
				GENERAL TOLERANCES +/- 0.2		TITLE: ASSEMBLY DRG FOR RECESSED DESINGER CASE BLACK SIZE 8			
FINISH. LIGHT SPARK				MATERIAL. UL 94 - V0 ABS		DWG NO. CRDCB0008		A4	
DRAWN	NAME IAN PAGANO	SIGNED I.P.	DATE 24/09/13	PROJECTION.		SCALE: 1:3		SHEET 1 OF 1	