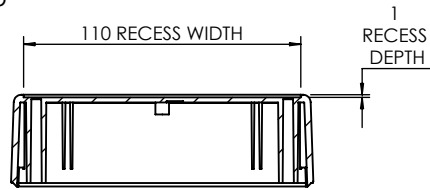


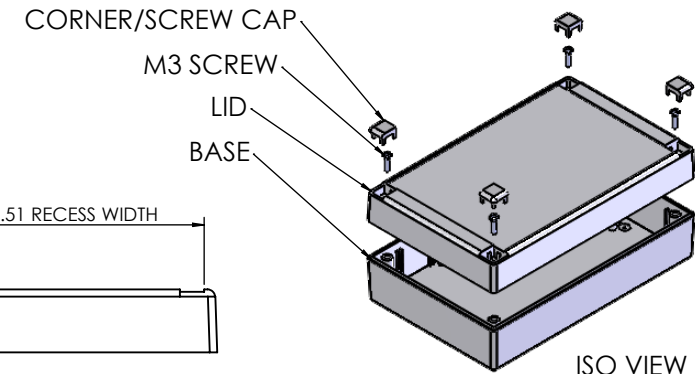
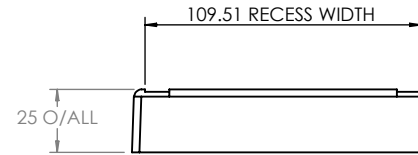
OVERALL ASSEMBLY DIMENSIONS:

EXTERNAL - 190 x 120 x 60

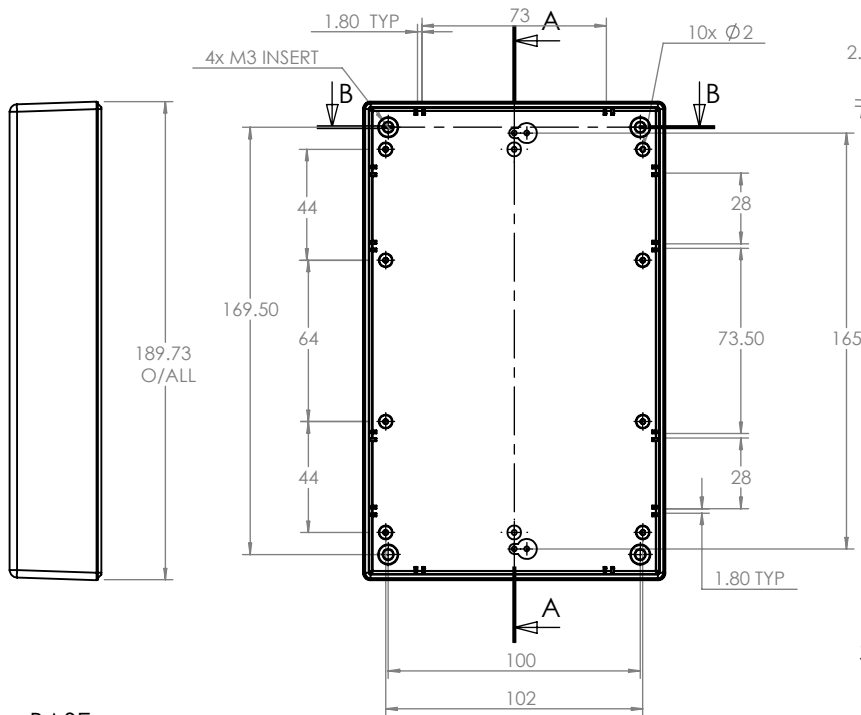
INTERNAL - 185 x 115 x 53.5



SECTION B-B

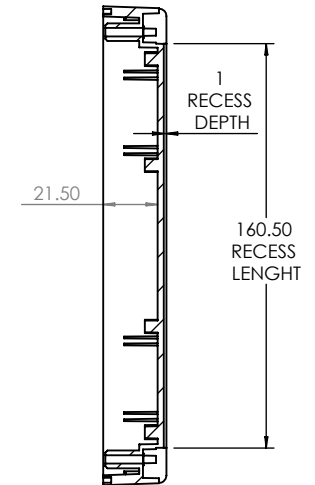
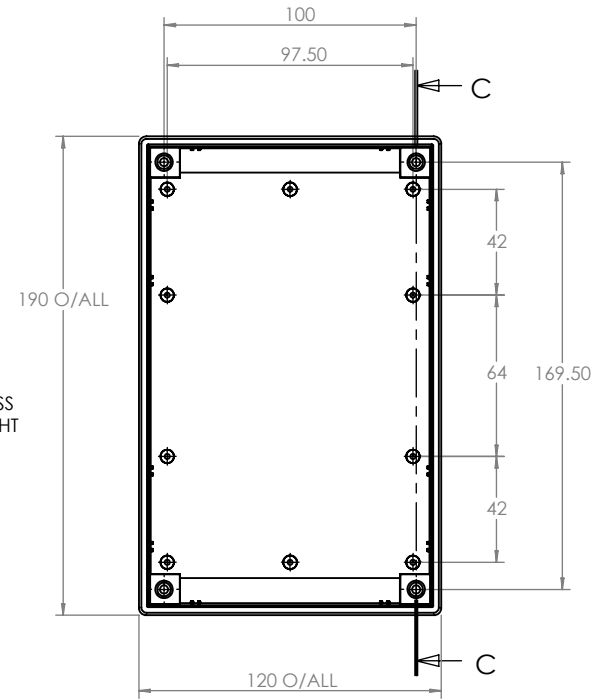


ISO VIEW  
1:5



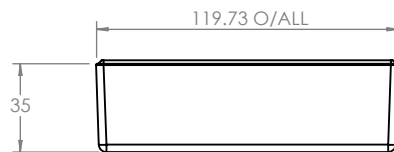
BASE

SECTION A-A



SECTION C-C

LID



<p><b>CAMDENBOSS®</b> CONNECT. ENCLOSE. INNOVATE.</p> <p>JAMES CARTER RD, MILDENHALL, SUFFOLK. IP28 7DE TEL: 01638 716101 FAX: 01638 716554 EMAIL: Sales@CamdenBoss.com WEB: www.CamdenBoss.com</p>		UNLESS OTHERWISE SPECIFIED: DIMENSIONS ARE IN MILLIMETERS		DO NOT SCALE DRAWING	REVISION. C
		GENERAL TOLERANCES +/- 0.2		TITLE: ASSEMBLY DRG FOR RECESS DESIGNER CASE SIZE 7 BLACK	
FINISH. LIGHT SPARK		MATERIAL. UL 94 - V0 ABS		DWG NO. CRDCB0007	A4
DRAWN IAN PAGANO	SIGNED I.P.	DATE 19/10/15	PROJECTION.	SCALE. 1:3	SHEET 1 OF 1
CHK'D DAN SMALLEY	DIS DIS	DATE 16/03/17			