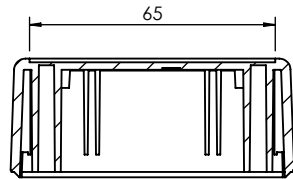


OVERALL ASSEMBLY DIMENSIONS:

EXTERNAL - 127 x 75 x 45

INTERNAL - 122 x 70 x 38.5



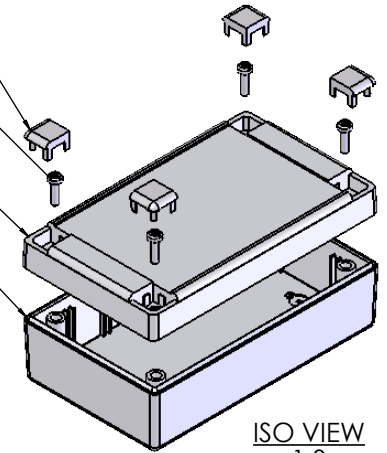
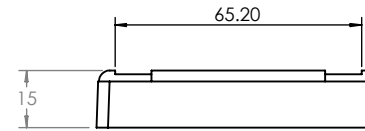
SECTION C-C

CORNER/SCREW CAP

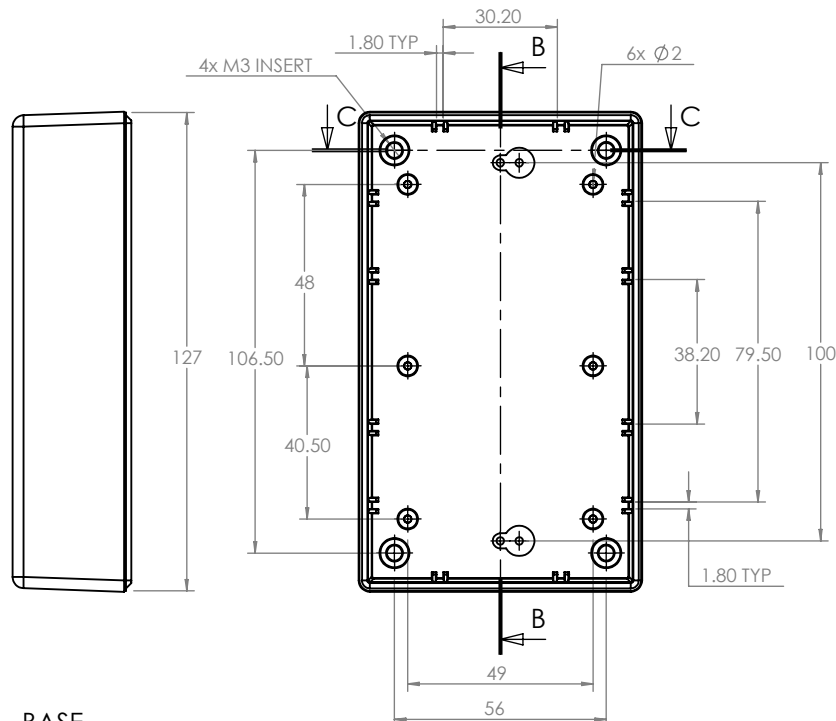
M3 SCREW

LID

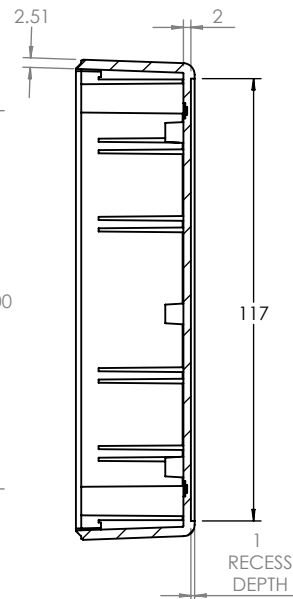
BASE



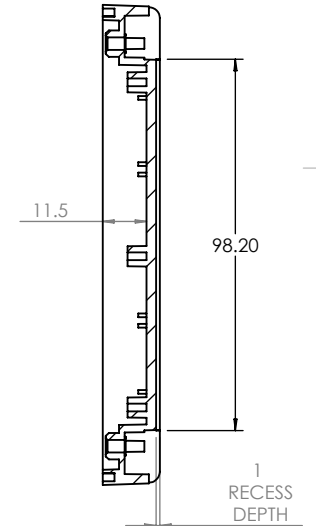
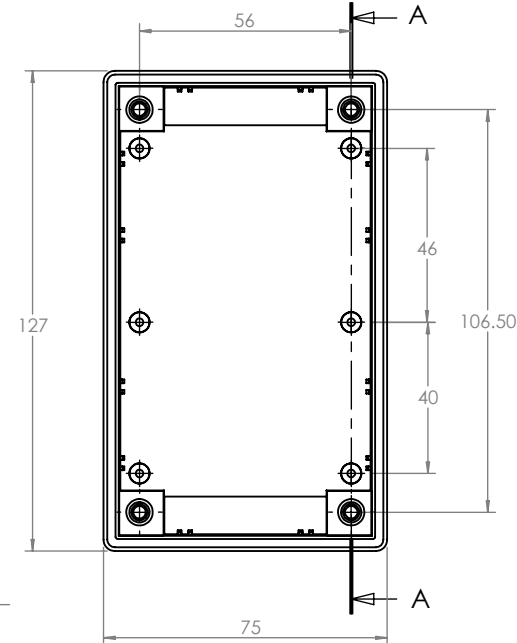
ISO VIEW  
1:3



BASE

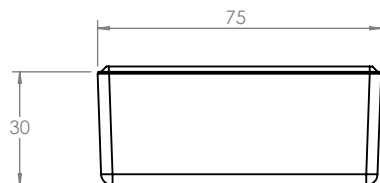


SECTION B-B



SECTION A-A

LID



JAMES CARTER RD, MILDENHALL, SUFFOLK. IP28 7DE TEL: 01638 716101 FAX: 01638 716554 EMAIL: Sales@CamdenBoss.com WEB: www.CamdenBoss.com				UNLESS OTHERWISE SPECIFIED: DIMENSIONS ARE IN MILLIMETERS	DO NOT SCALE DRAWING	REVISION. B
				GENERAL TOLERANCES +/- 0.2	TITLE: ASSEMBLY DRG FOR RECESS DESIGNER CASE SIZE 5 BLACK	
FINISH. LIGHT SPARK				MATERIAL. UL 94 - V0 ABS	DWG NO. CRDCB0005	A4
DRAWN	NAME IAN PAGANO	SIGNED I.P.	DATE 19/10/15	PROJECTION.	SCALE. 1:2	SHEET 1 OF 1
CHKD	-	-	-			