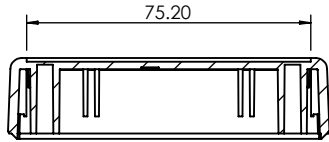


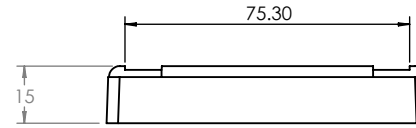
OVERALL ASSEMBLY DIMENSIONS:

EXTERNAL - 110 x 85 x 35

INTERNAL - 105 x 80 x 28.5



SECTION B-B

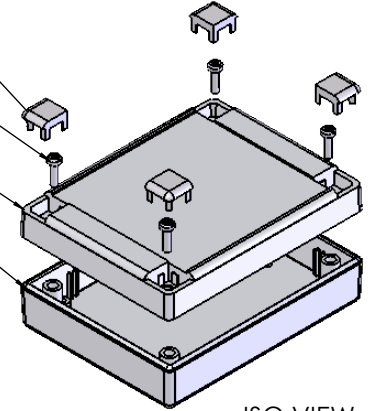


CORNER/SREW CAP

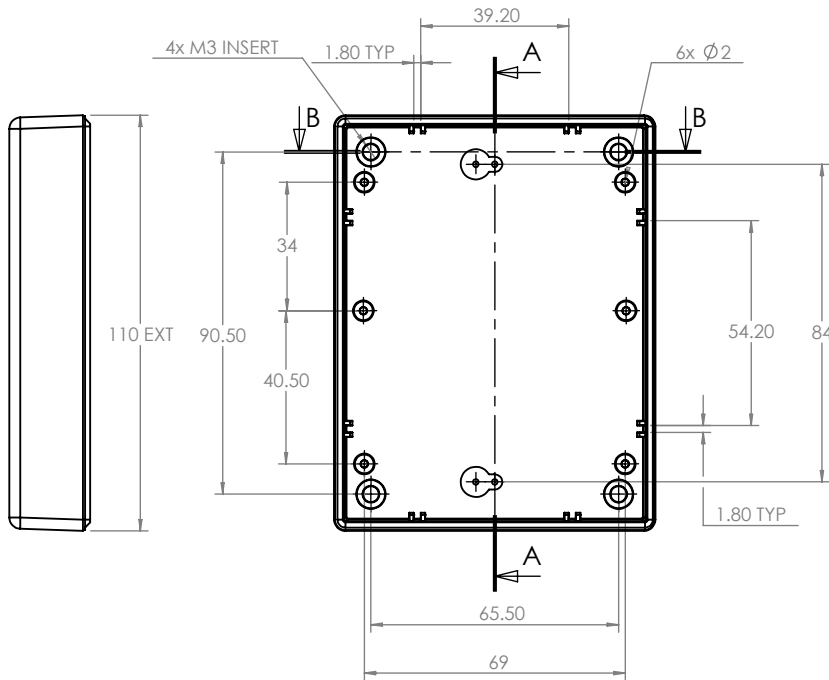
M3 SCREW

LID

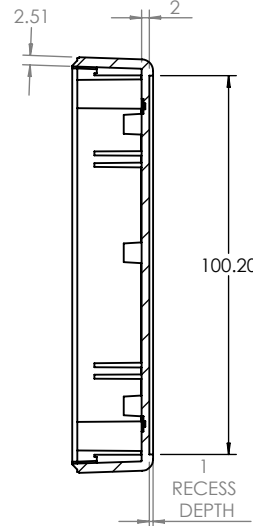
BASE



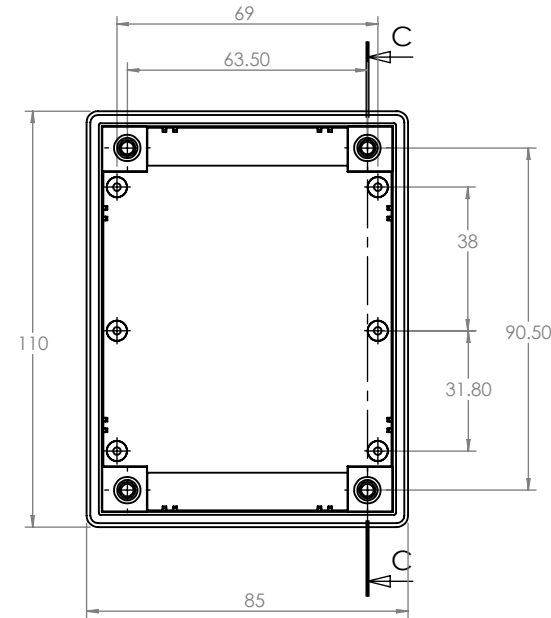
ISO VIEW  
1:3



BASE

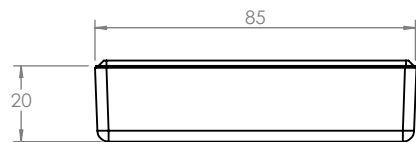



SECTION A-A



SECTION C-C

LID



 <b>CAMDENBOSS</b> JAMES CARTER RD, MILDENHALL, SUFFOLK. IP28 7DE TEL: 01638 716101 FAX: 01638 716554 EMAIL: Sales@CamdenBoss.com WEB: www.CamdenBoss.com		UNLESS OTHERWISE SPECIFIED: DIMENSIONS ARE IN MILLIMETERS		DO NOT SCALE DRAWING	REVISION. B
		GENERAL TOLERANCES +/- 0.2		TITLE: ASSEMBLY DRG FOR RECESS DESIGNER CASE SIZE 3 BLACK	
FINISH. LIGHT SPARK		MATERIAL. UL 94 - V0 ABS		DWG NO. CRDCB0003	A4
DRAWN IAN PAGANO	SIGNED I.P.	DATE 24/09/13	PROJECTION.	SCALE. 1:2	SHEET 1 OF 1