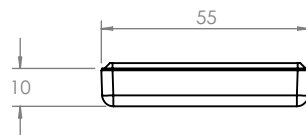
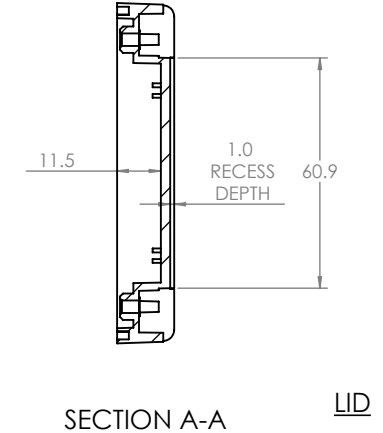
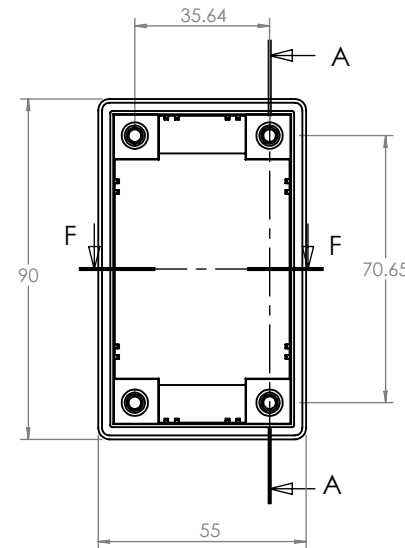
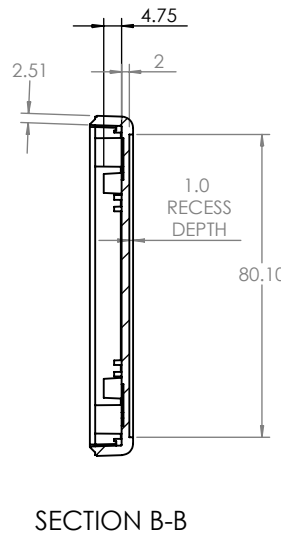
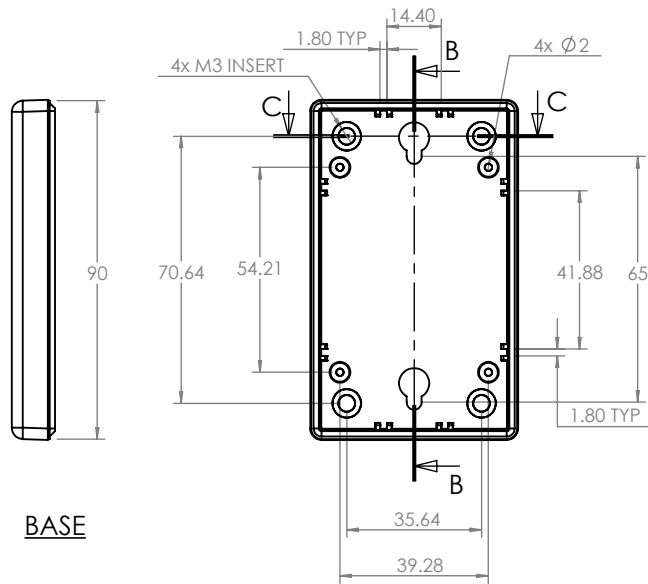
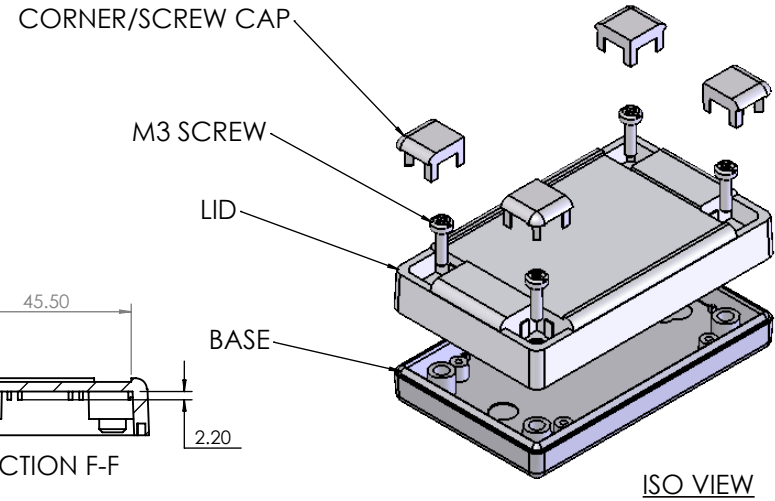
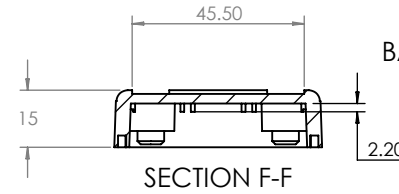
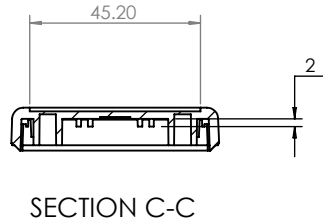


OVERALL ASSEMBLY DIMENSIONS :

EXTERNAL - 90 x 55 x 25

INTERNAL - 85 x 50 x 23.5



<p>CAMDENBOSS® CONNECT. ENCLOSE. INNOVATE.</p> <p>JAMES CARTER RD, MILDENHALL, SUFFOLK. IP28 7DE TEL: 01638 716101 FAX: 01638 716554 EMAIL: Sales@CamdenBoss.com WEB: www.CamdenBoss.com</p>		UNLESS OTHERWISE SPECIFIED: DIMENSIONS ARE IN MILLIMETERS		DO NOT SCALE DRAWING	REVISION. B
		GENERAL TOLERANCES +/- 0.2		TITLE: ASSEMBLY DRG FOR RECESS DESIGNER CASE SIZE 1 BLACK	
FINISH. LIGHT SPARK		MATERIAL. UL 94 - V0 ABS		DWG NO. CRDCB0001	A4
DRAWN IAN PAGANO	SIGNED I.P.	DATE 24/09/13	PROJECTION.	SCALE. 1:2	SHEET 1 OF 1