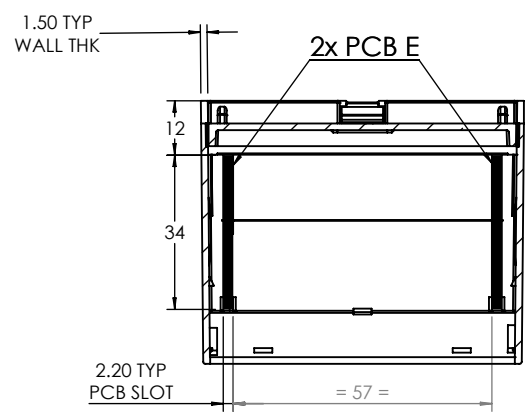
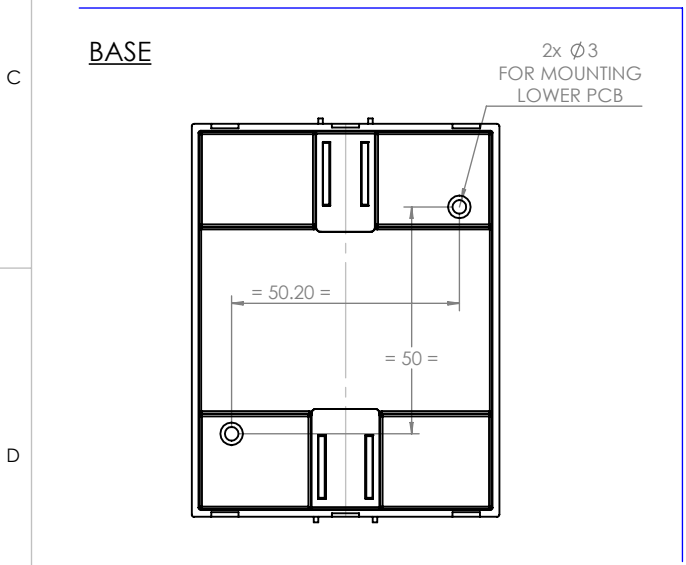
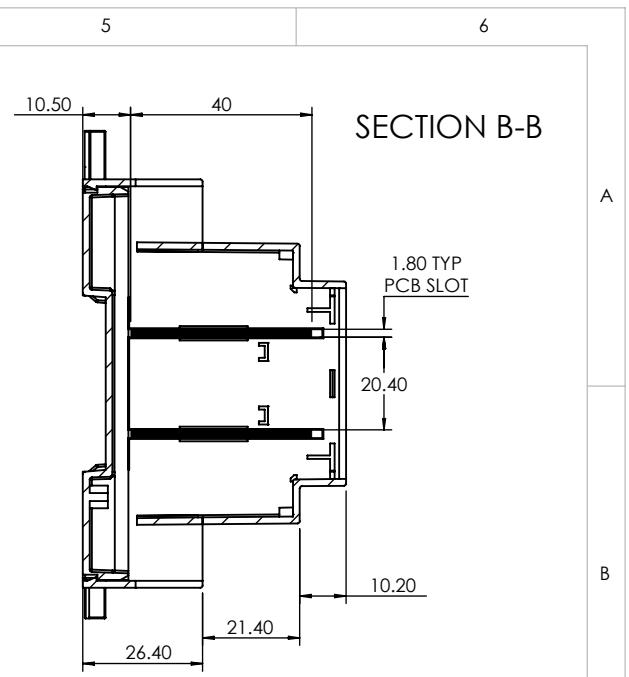
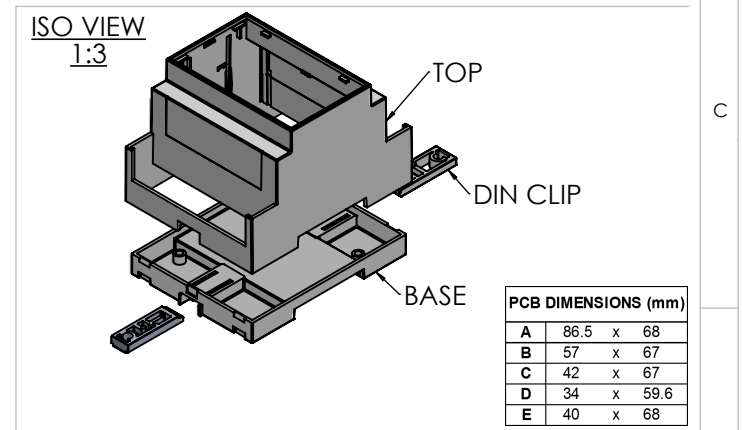


DIN CLIPS ARE SHOWN IN WALL MOUNTING POSITION



SECTION C-C



<p>CAMDENBOSS JAMES CARTER RD, MILDENHALL, SUFFOLK. IP28 7DE TEL: 01638 716101 FAX: 01638 716554 EMAIL: Sales@CamdenBoss.com WEB: www.CamdenBoss.com</p>		UNLESS OTHERWISE SPECIFIED: DIMENSIONS ARE IN MILLIMETERS	DO NOT SCALE DRAWING	REVISION: 0
		GENERAL TOLERANCES +/- 0.2	TITLE: GNL ASSY DRG FOR CNMB SERIES	
		FINISH: SMOOTH	MATERIAL: UL94-VO PC	DWG NO. CNMB-4W-2
DRAWN JAMIE JACOBS	SIGNED JNJ	DATE 11/01/13	PROJECTION: 	SCALE: 1:2
CHKD -				SHEET 1 OF 1

A4