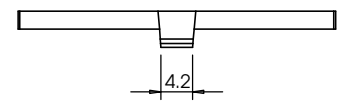
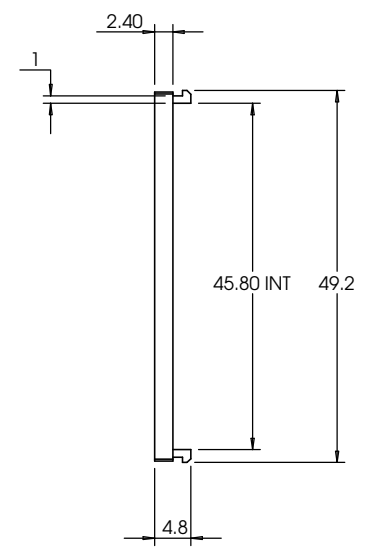
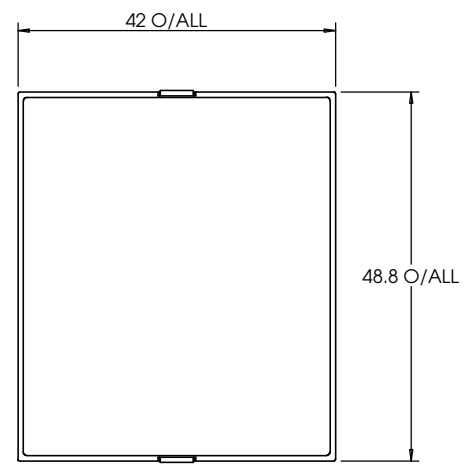
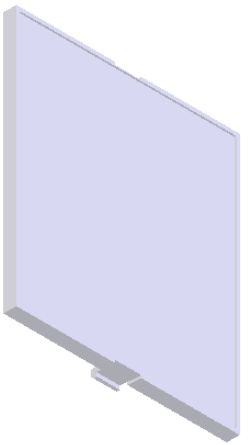

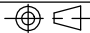


ISO VIEW



 CAMDENBOSS <small>60 JAMES CARTER RD, MILDENHALL, SUFFOLK, IP28 7DE</small>			<small>UNLESS OTHERWISE SPECIFIED: DIMENSIONS ARE IN MILLIMETERS</small>		<small>DO NOT SCALE DRAWING</small>	<small>REVISION. 0</small>
			<small>GENERAL TOLERANCES +/- 0.2</small>		<small>TITLE:</small> CNMB/3/PG Panel	
<small>EMAIL: SALES@CAMDENBOSS.COM WEB: WWW.CAMDENBOSS.COM</small>			<small>FINISH:</small> SMOOTH		<small>DWG NO.</small> CNMB-3-PG	
<small>DRAWN</small>	<small>NAME</small> L. DROBKA	<small>SIGNED</small> LDR	<small>DATE</small> -	<small>MATERIAL.</small> UL94 -VO	A4	
<small>CHKD</small>	-	-	-	<small>PROJECTION.</small> 	<small>SCALE: 1 : 1</small>	<small>SHEET 1 OF 1</small>