
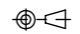
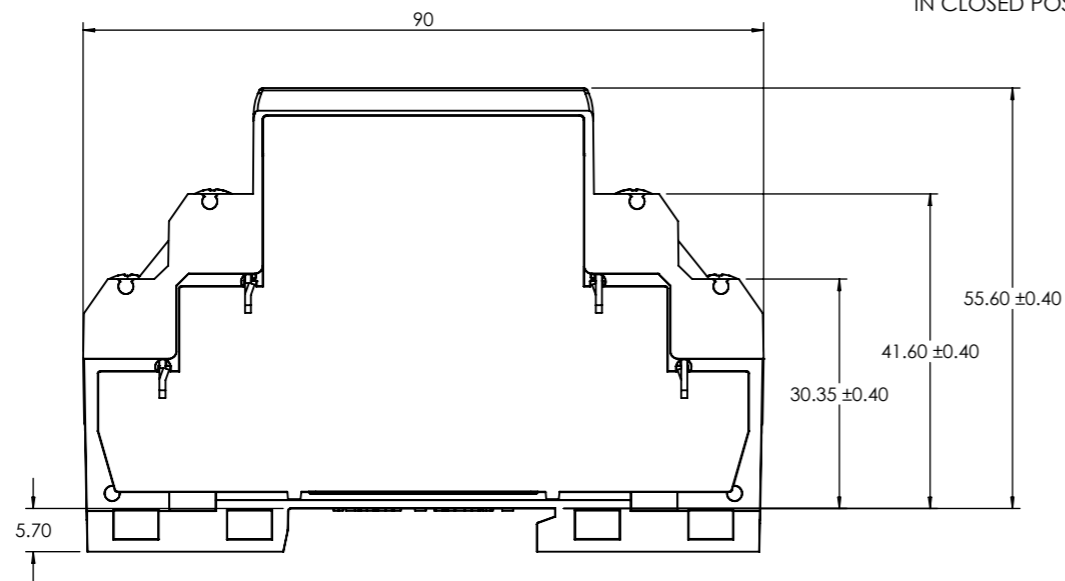
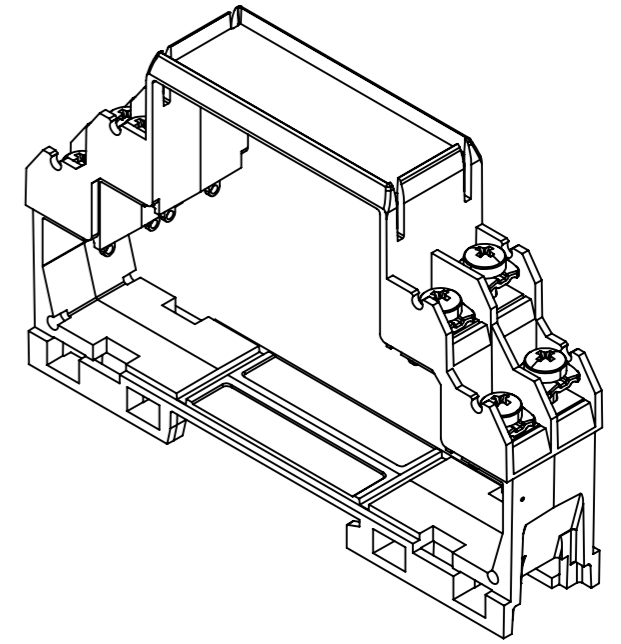
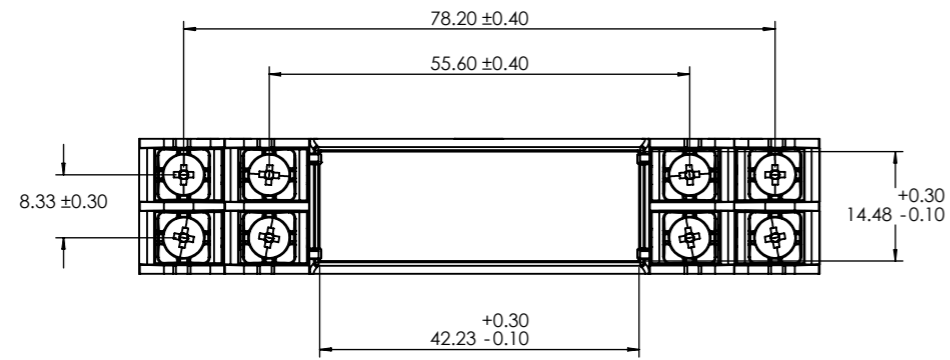
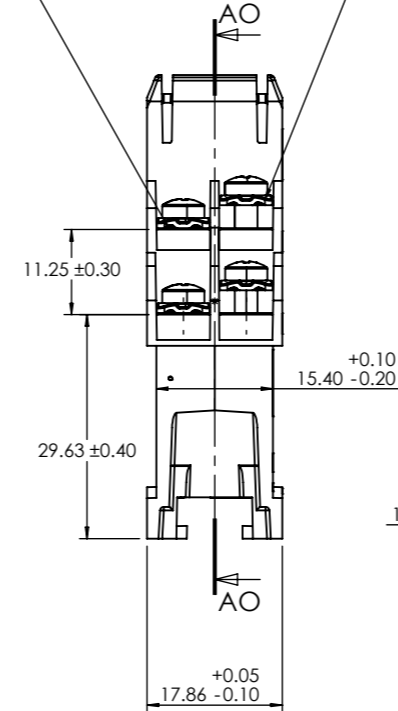


SECTION AN-AN
SCALE 1 : 1

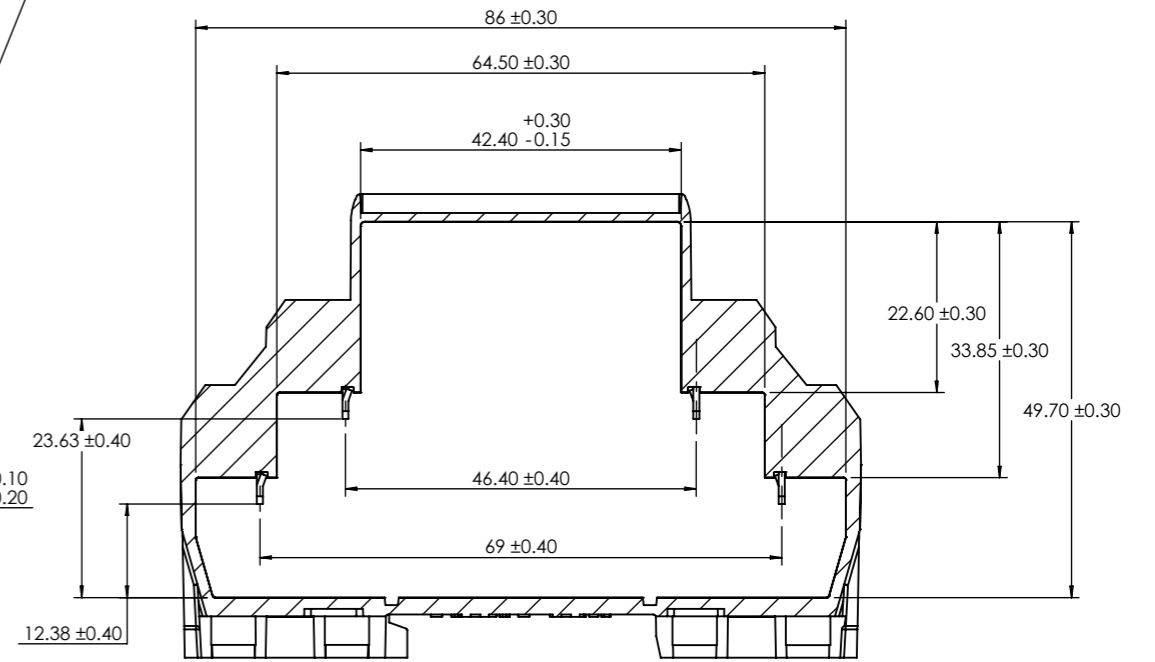
				 CAMDENBOSS <small>CONNECT. ENCLOSE. INNOVATE.</small>		COLOUR: RAL: 7035	DEBURR AND BREAK SHARP EDGES	DO NOT SCALE DRAWING	SCALE: 1:1 SHEET 1 OF 4 A3
						FINISH: TEXTURED TO VDI 20 ALL EXT PLAST PARTS	TITLE: ASSY DRAWING FOR SINGLE CMEB SOLID TOP KIT		
0.0	23/04/21		FIRST DRAWN	I.PAGANO	S.HARDINGE	DRAWING UNITS: MILLIMETERS	PROJECTION	MATERIAL: VAR	DWG NO.
REVISION	DATE	ECR	DESCRIPTION	NAME	CHK'D	TOLERANCES: +/-0.2			CMEB_1ST_KIT



TERMINAL SCREW
WITH SADDLE WASHER
IN CLOSED POSITION



TERMINAL SCREW
WITH SADDLE WASHER
SHOWN IN OPEN POSITION



SECTION AO-AO
SCALE 1:1



DRAWING UNITS: MILLIMETERS
TOLERANCES: +/-0.2

PROJECTION
FIRST ANGLE

COLOUR: RAL: 7035

FINISH: TEXTURED TO VDI 20
ALL EXT PLAST PARTS

MATERIAL: VAR

DEBURR AND BREAK SHARP EDGES

DO NOT SCALE DRAWING

TITLE: ASSY DRAWING FOR SINGLE CMEB
SOLID TOP KIT

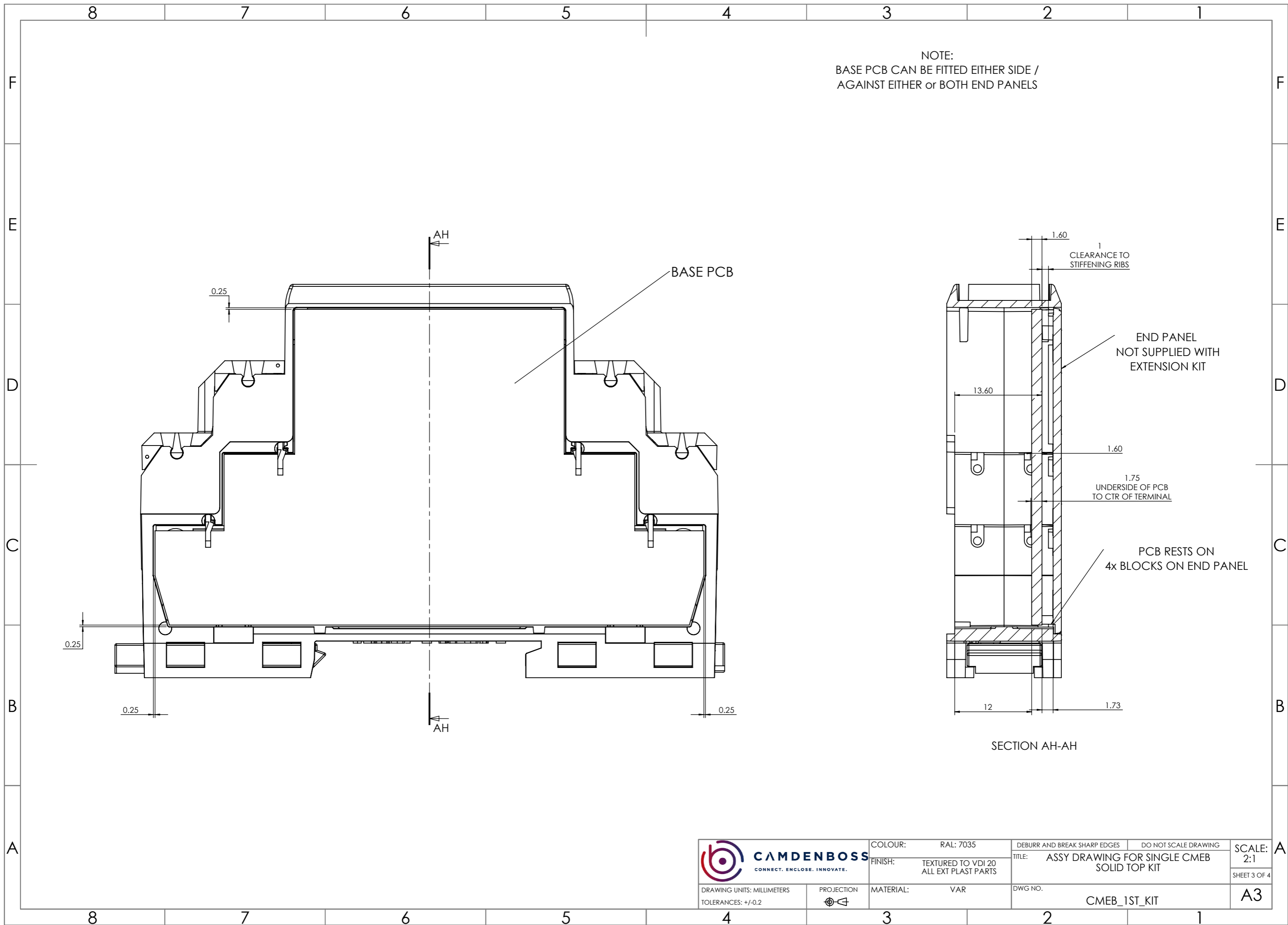
DWG NO.

CMEB_1ST_KIT

SCALE:
1:1

SHEET 2 OF 4

A3




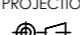
NOTE:
 BASE PCB CAN BE FITTED EITHER SIDE /
 AGAINST EITHER or BOTH END PANELS

BASE PCB

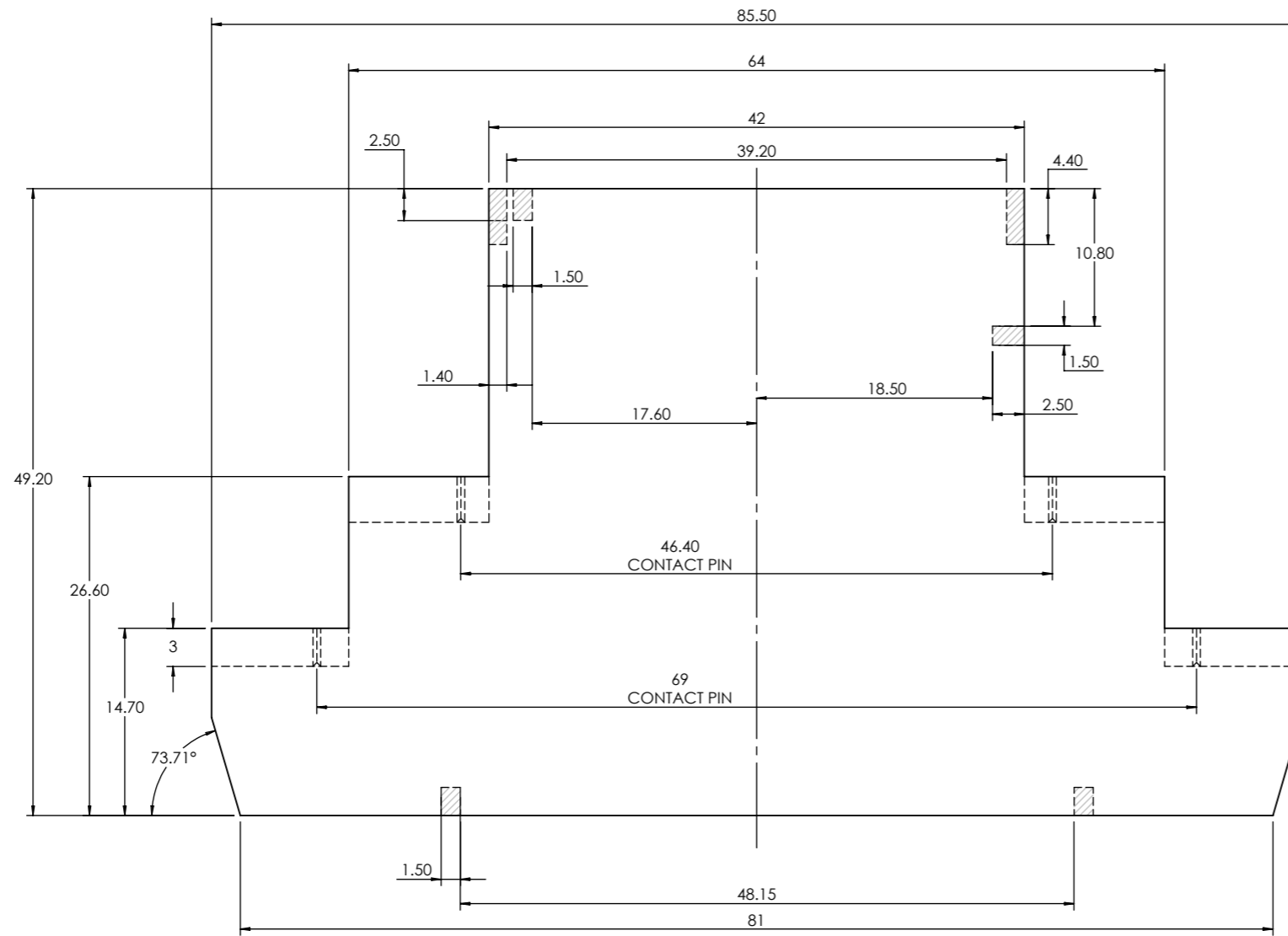
END PANEL
 NOT SUPPLIED WITH
 EXTENSION KIT

PCB RESTS ON
 4x BLOCKS ON END PANEL

SECTION AH-AH

 CAMDENBOSS <small>CONNECT. ENCLOSE. INNOVATE.</small>	COLOUR: RAL: 7035	DEBURR AND BREAK SHARP EDGES	DO NOT SCALE DRAWING	SCALE: 2:1 SHEET 3 OF 4
	FINISH: TEXTURED TO VDI 20 ALL EXT PLAST PARTS	TITLE: ASSY DRAWING FOR SINGLE CMEB SOLID TOP KIT		
DRAWING UNITS: MILLIMETERS TOLERANCES: +/-0.2	PROJECTION 	MATERIAL: VAR	DWG NO. CMEB_1ST_KIT	A3

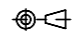
BASE PCB OPEN TOP BODY



 ENCLOSURE TO PCB CONTACT

CAMDENBOSS
CONNECT. ENCLOSE. INNOVATE.

DRAWING UNITS: MILLIMETERS
TOLERANCES: +/-0.2

PROJECTION


COLOUR: RAL: 7035
FINISH: TEXTURED TO VDI 20 ALL EXT PLAST PARTS
MATERIAL: VAR

DEBURR AND BREAK SHARP EDGES
DO NOT SCALE DRAWING
TITLE: ASSY DRAWING FOR SINGLE CMEB SOLID TOP KIT
DWG NO. CMEB_1ST_KIT

SCALE: 2:1
SHEET 4 OF 4
A3