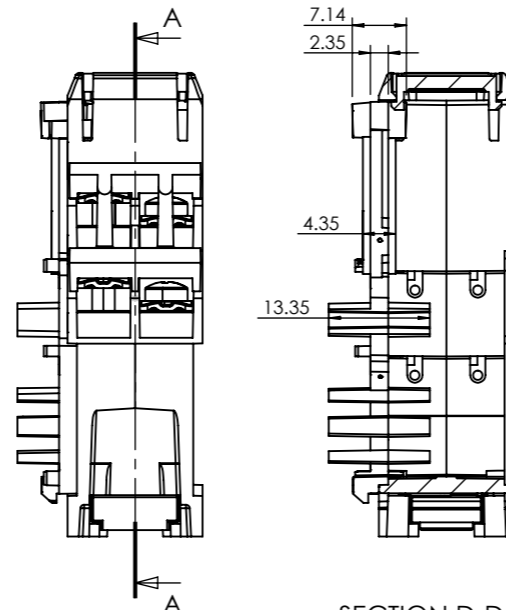
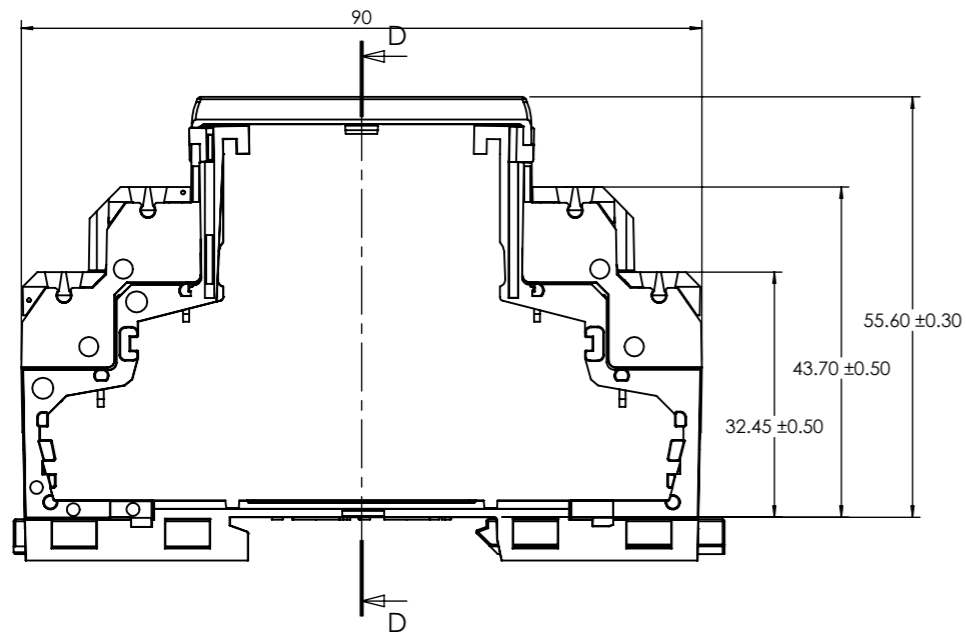
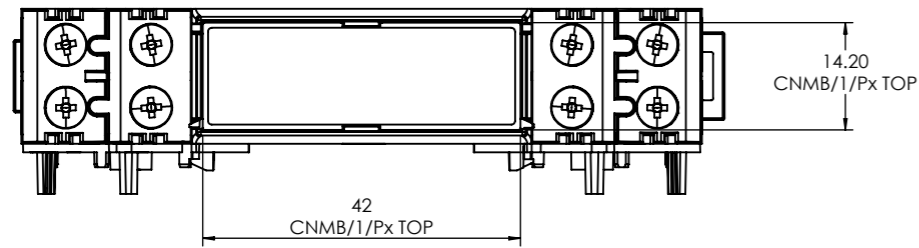
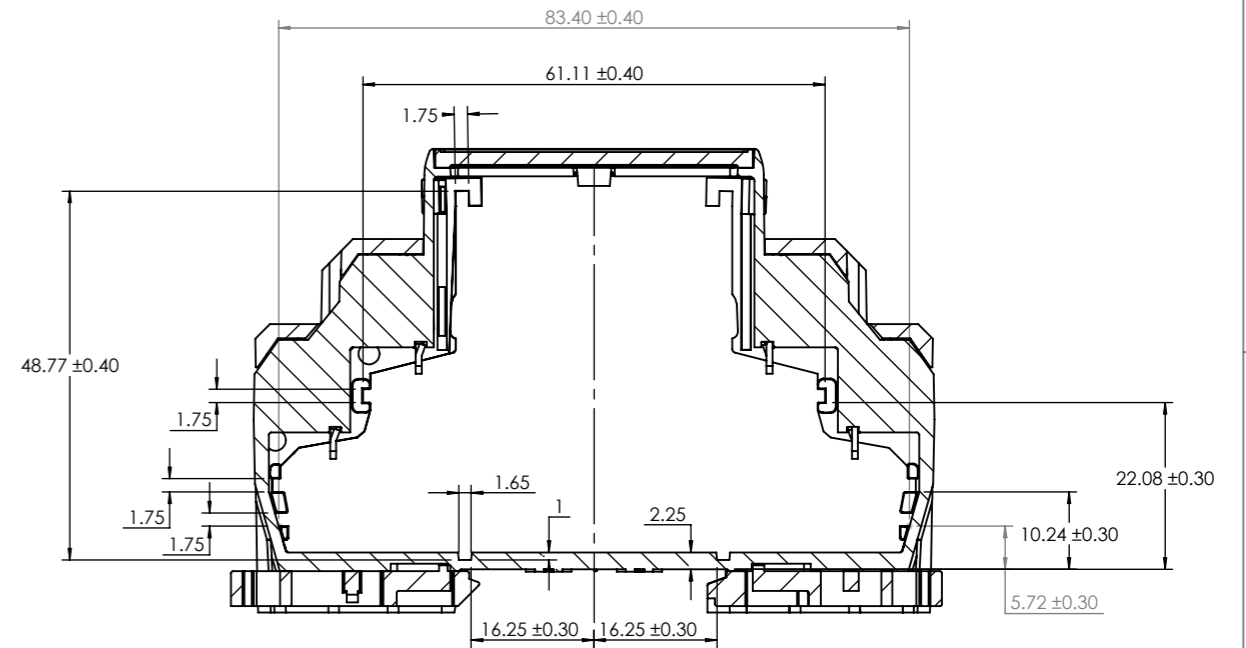


EXTENSION ARMS
CAN BE FITTED TO EITHER SIDE
OF THE MAIN BODY

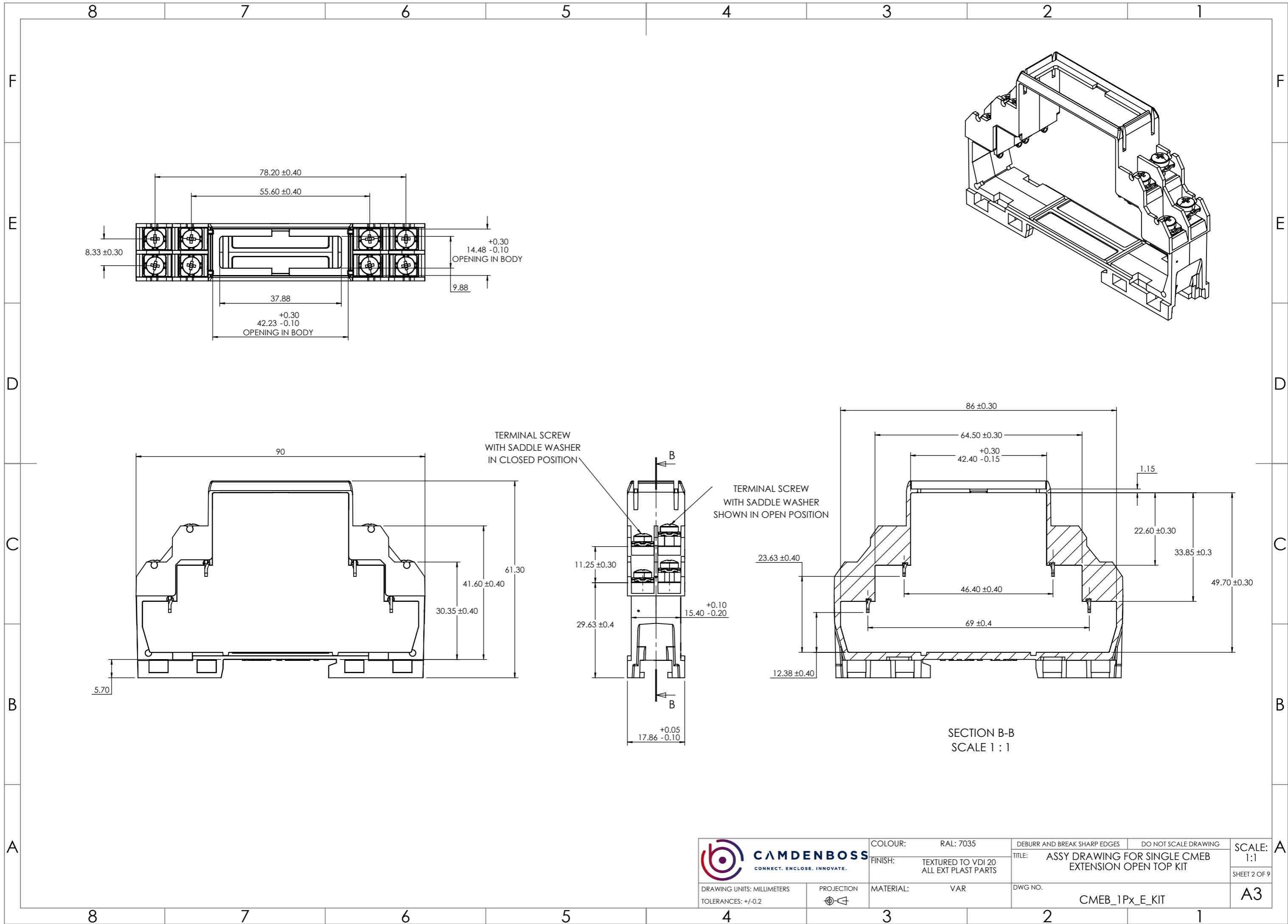


SECTION D-D
SCALE 1 : 1



SECTION A-A
SCALE 1 : 1

						COLOUR: RAL: 7035	DEBURR AND BREAK SHARP EDGES	DO NOT SCALE DRAWING	SCALE: 1:1
						FINISH: TEXTURED TO VDI 20 ALL EXT PLAST PARTS	TITLE: ASSY DRAWING FOR SINGLE CMEB EXTENSION OPEN TOP KIT		
0.0	23/04/21		FIRST DRAWN	I.PAGANO	S.HARDINGE	DRAWING UNITS: MILLIMETERS	PROJECTION	MATERIAL: VAR	DWG NO.
REVISION	DATE	ECR	DESCRIPTION	NAME	CHK'D	TOLERANCES: +/-0.2			CMEB_1Px_E_KIT



DRAWING UNITS: MILLIMETERS
TOLERANCES: +/-0.2

PROJECTION

COLOUR: RAL: 7035

FINISH: TEXTURED TO VDI 20
ALL EXT PLAST PARTS

MATERIAL: VAR

DEBURR AND BREAK SHARP EDGES

DO NOT SCALE DRAWING

TITLE: ASSY DRAWING FOR SINGLE CMEB
EXTENSION OPEN TOP KIT

DWG NO.

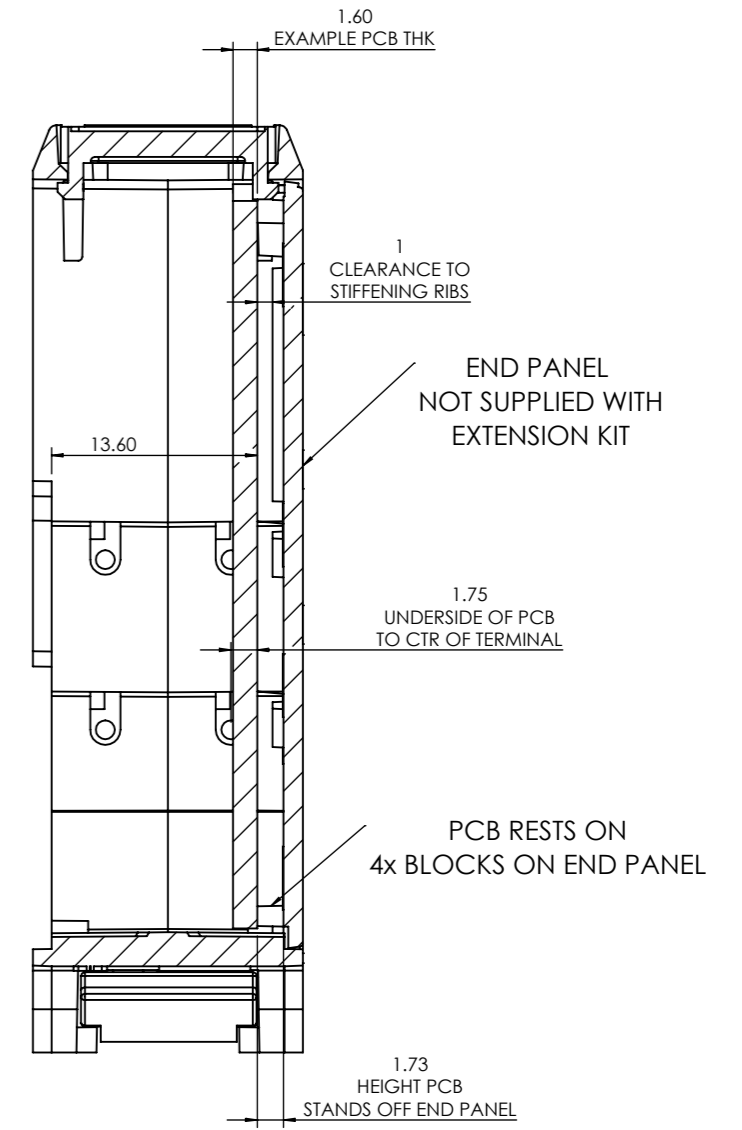
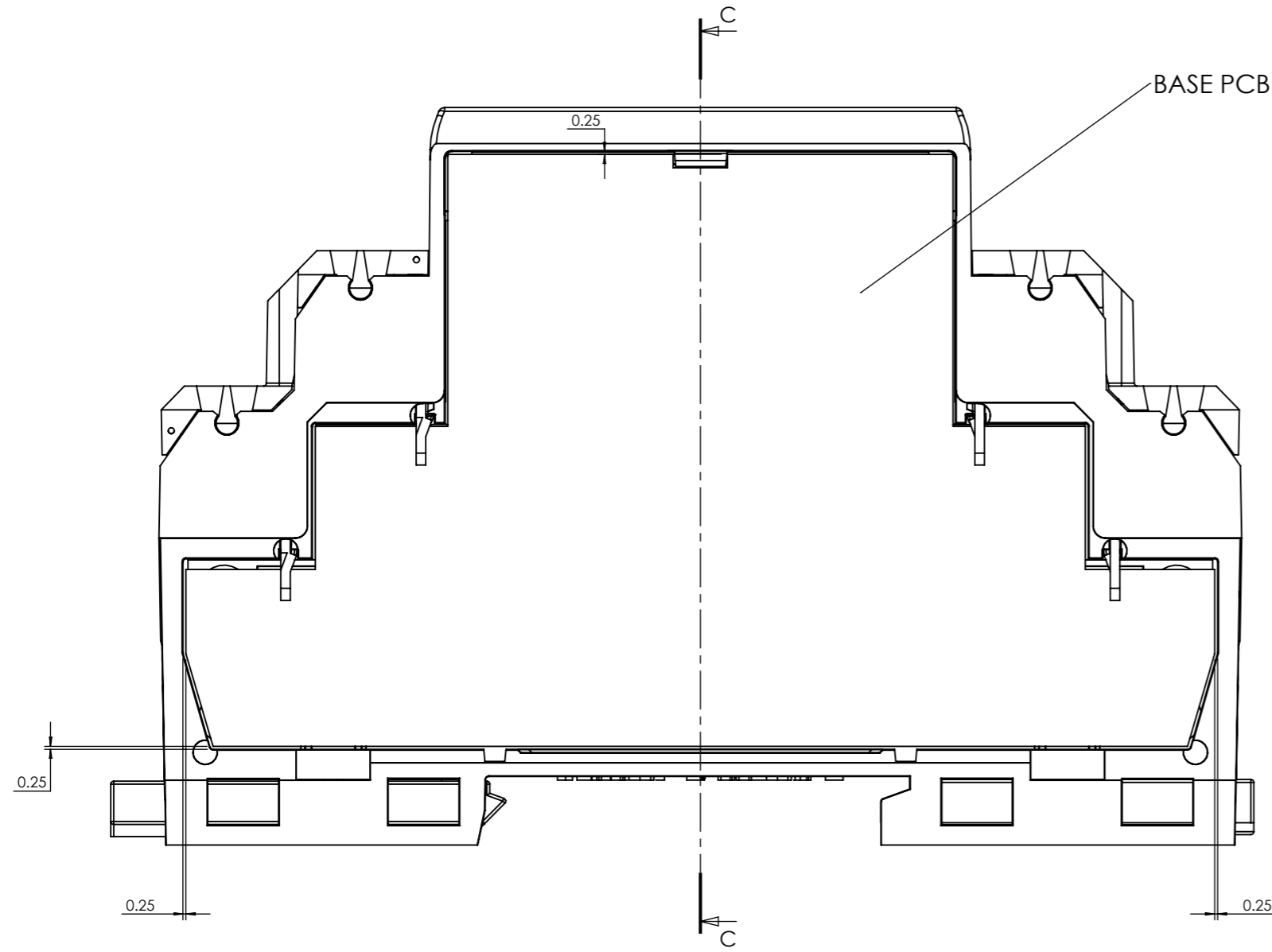
CMEB_1Px_E_KIT

SCALE:
1:1

SHEET 2 OF 9

A3

NOTE:
 BASE PCB CAN BE FITTED EITHER SIDE /
 AGAINST EITHER or BOTH END PANELS
 AND
 WITH EXTENSION ARM FITTED MUST
 CONSIDER OVERALL WIDTH OF ASSEMBLY
 OR
 BASE PCB NOT USED IF HORIZONTAL AND VERTICAL
 PCBs ARE TO BE USED IN TEXTENSION ARMS



SECTION C-C



DRAWING UNITS: MILLIMETERS
 TOLERANCES: +/-0.2

PROJECTION

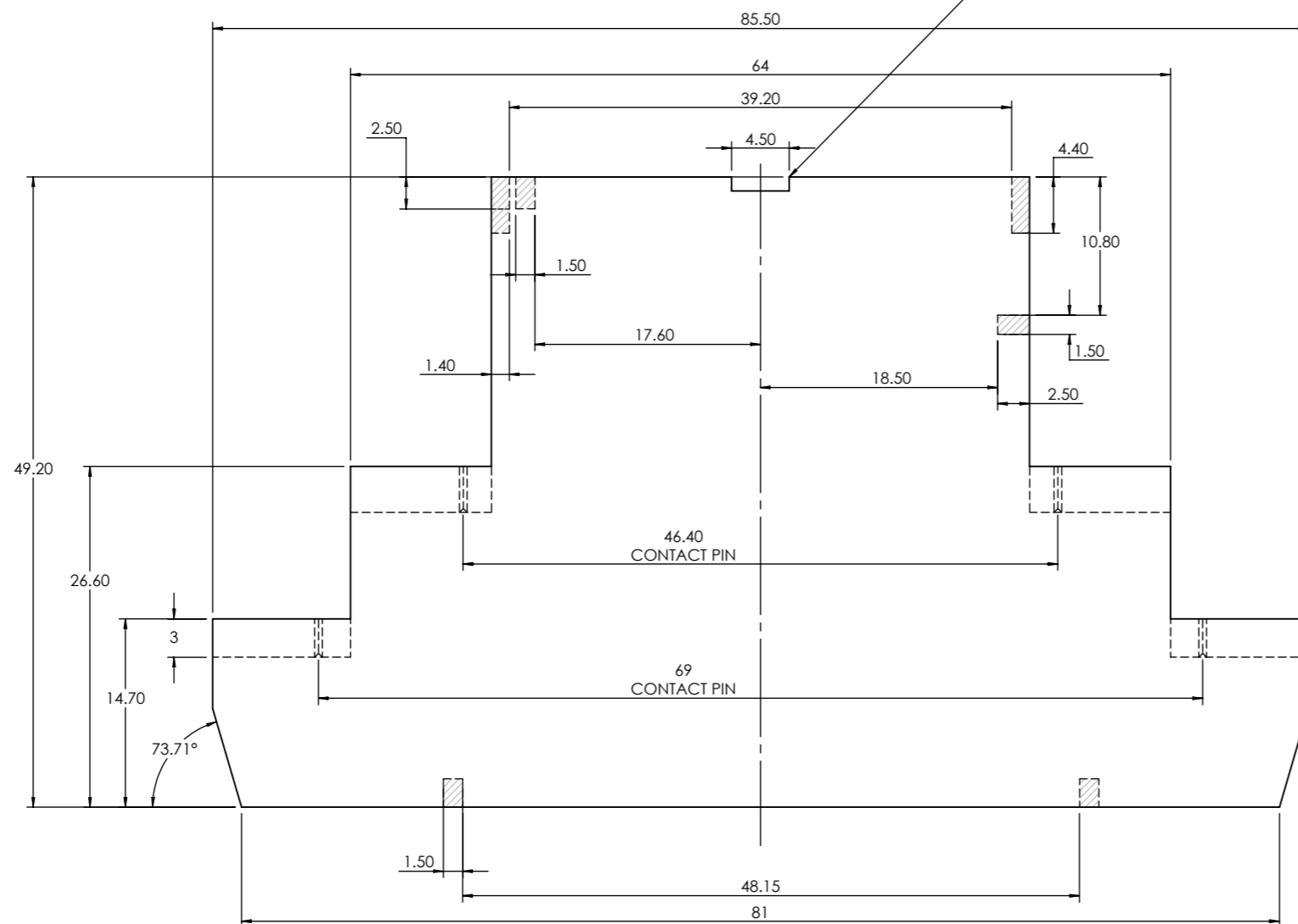
COLOUR: RAL: 7035
 FINISH: TEXTURED TO VDI 20
 ALL EXT PLAST PARTS
 MATERIAL: VAR

DEBURR AND BREAK SHARP EDGES
 DO NOT SCALE DRAWING
 TITLE: ASSY DRAWING FOR SINGLE CMEB
 EXTENSION OPEN TOP KIT
 DWG NO. CMEB_1Px_E_KIT

SCALE:
 2:1
 SHEET 3 OF 9
 A3

BASE PCB OPEN TOP BODY
FITTED WITH CNMB/1/Px TOP

NOTCH IN TOP OF PCB
 TO CLEAR CLIP ON CNMB/1/Px TOP



ENCLOSURE TO PCB CONTACT
 ON UNDERSIDE OF FACE SHOWN

CAMDENBOSS
 CONNECT. ENCLOSE. INNOVATE.

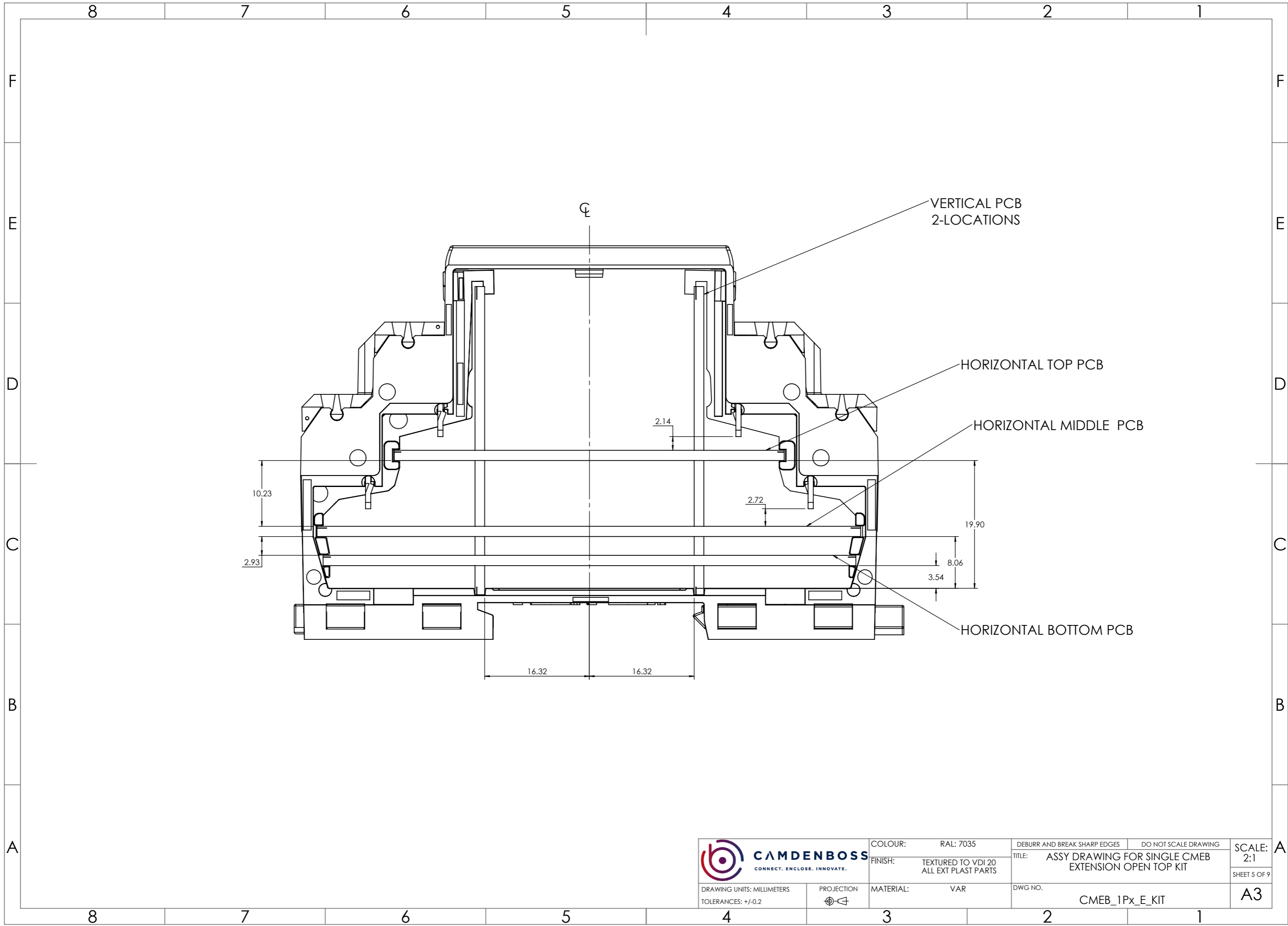
DRAWING UNITS: MILLIMETERS
 TOLERANCES: +/-0.2

PROJECTION

COLOUR: RAL: 7035
 FINISH: TEXTURED TO VDI 20
 ALL EXT PLAST PARTS
 MATERIAL: VAR

DEBURR AND BREAK SHARP EDGES
 DO NOT SCALE DRAWING
 TITLE: ASSY DRAWING FOR SINGLE CMEB
 EXTENSION OPEN TOP KIT
 DWG NO. CMEB_1Px_E_KIT

SCALE: 2:1
 SHEET 4 OF 9
 A3



CAMDENBOSS
CONNECT. ENCLOSE. INNOVATE.

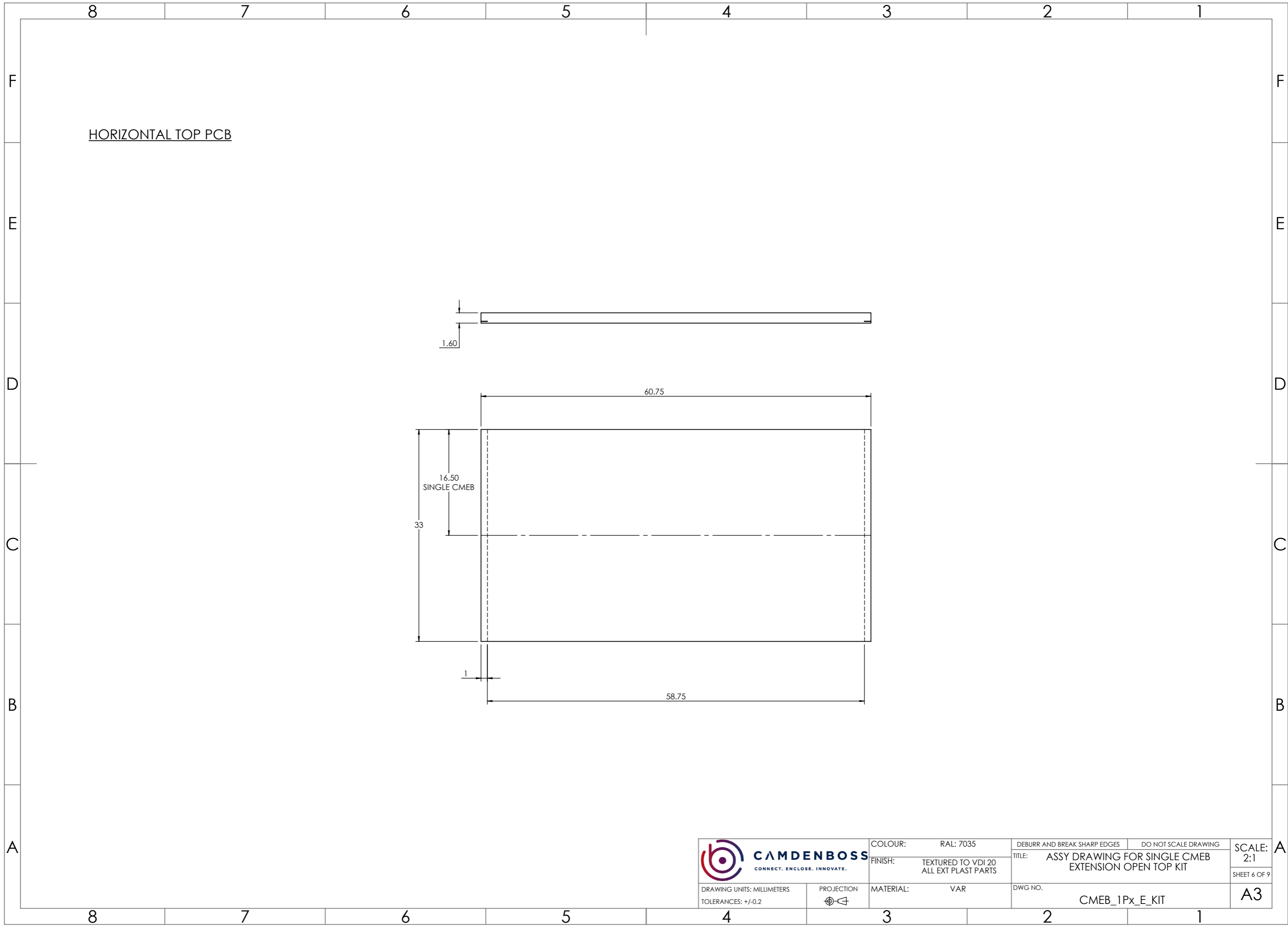
COLOUR: RAL: 7035
FINISH: TEXTURED TO VDI 20 ALL EXT PLAST PARTS
MATERIAL: VAR

DEBURR AND BREAK SHARP EDGES
DO NOT SCALE DRAWING
TITLE: ASSY DRAWING FOR SINGLE CMEB EXTENSION OPEN TOP KIT
DWG NO. CMEB_1Px_E_KIT

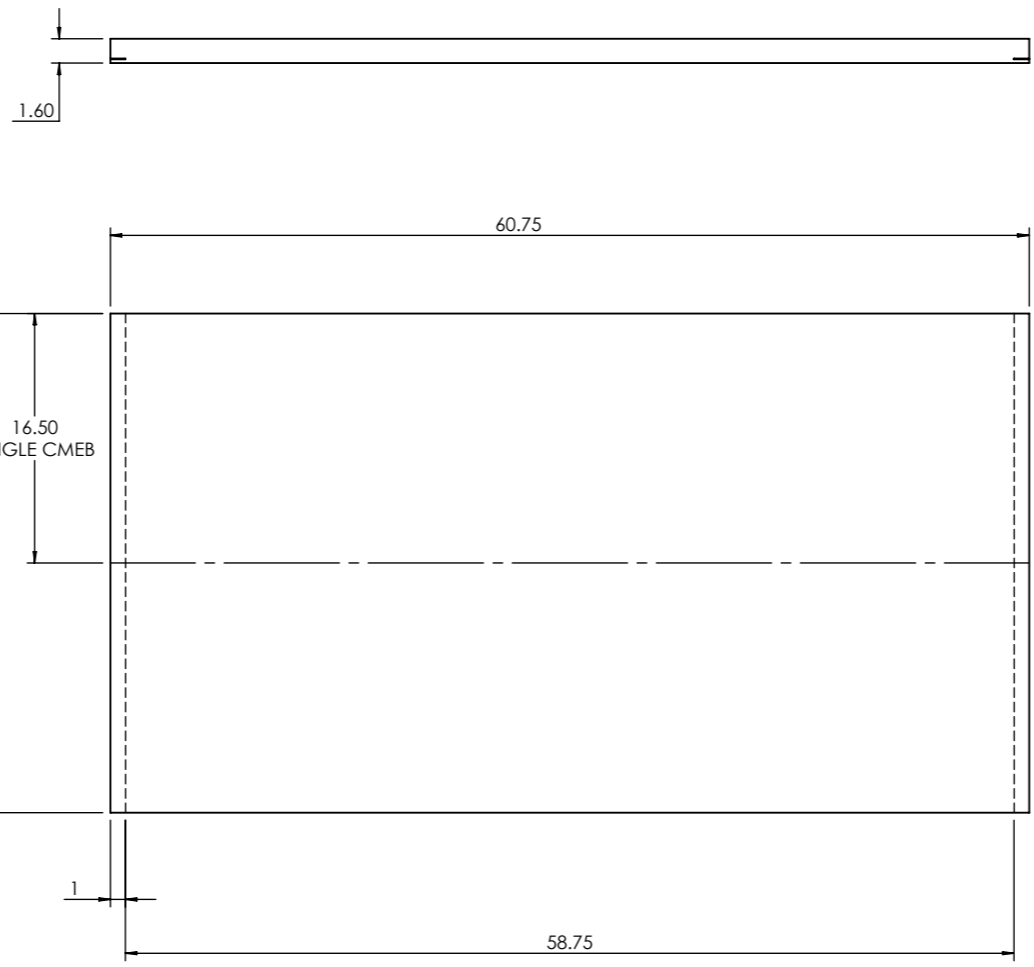
SCALE: 2:1
SHEET 5 OF 9
A3


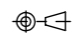
DRAWING UNITS: MILLIMETERS
TOLERANCES: +/-0.2

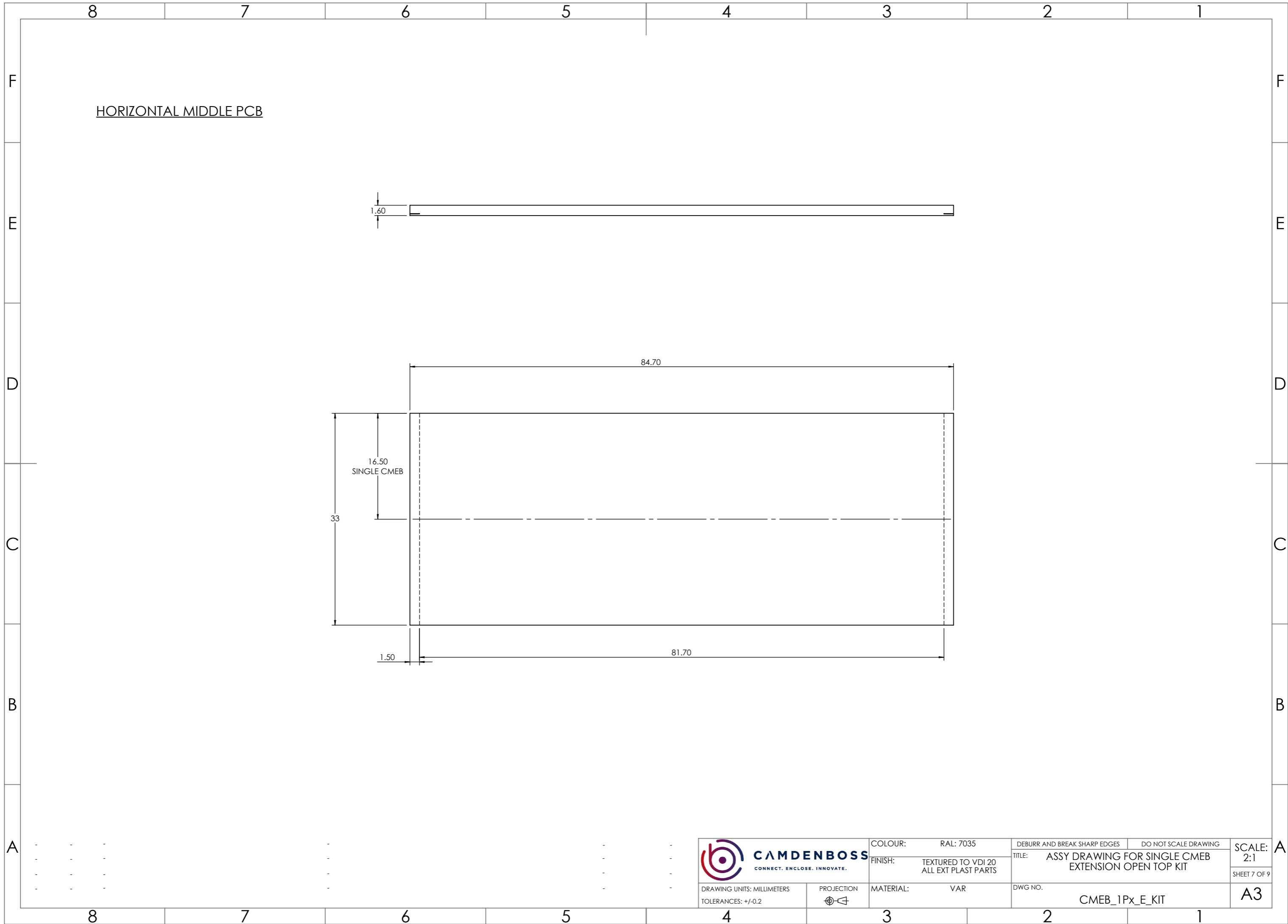
PROJECTION



HORIZONTAL TOP PCB



 CAMDENBOSS <small>CONNECT. ENCLOSE. INNOVATE.</small>	COLOUR: RAL: 7035	DEBURR AND BREAK SHARP EDGES	DO NOT SCALE DRAWING	SCALE: 2:1 <small>SHEET 6 OF 9</small>
	FINISH: TEXTURED TO VDI 20 ALL EXT PLAST PARTS	TITLE: ASSY DRAWING FOR SINGLE CMEB EXTENSION OPEN TOP KIT		
<small>DRAWING UNITS: MILLIMETERS</small> <small>TOLERANCES: +/-0.2</small>	<small>PROJECTION</small> 	MATERIAL: VAR	<small>DWG NO.</small> CMEB_1Px_E_KIT	A3



HORIZONTAL MIDDLE PCB

1.60


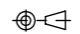
84.70

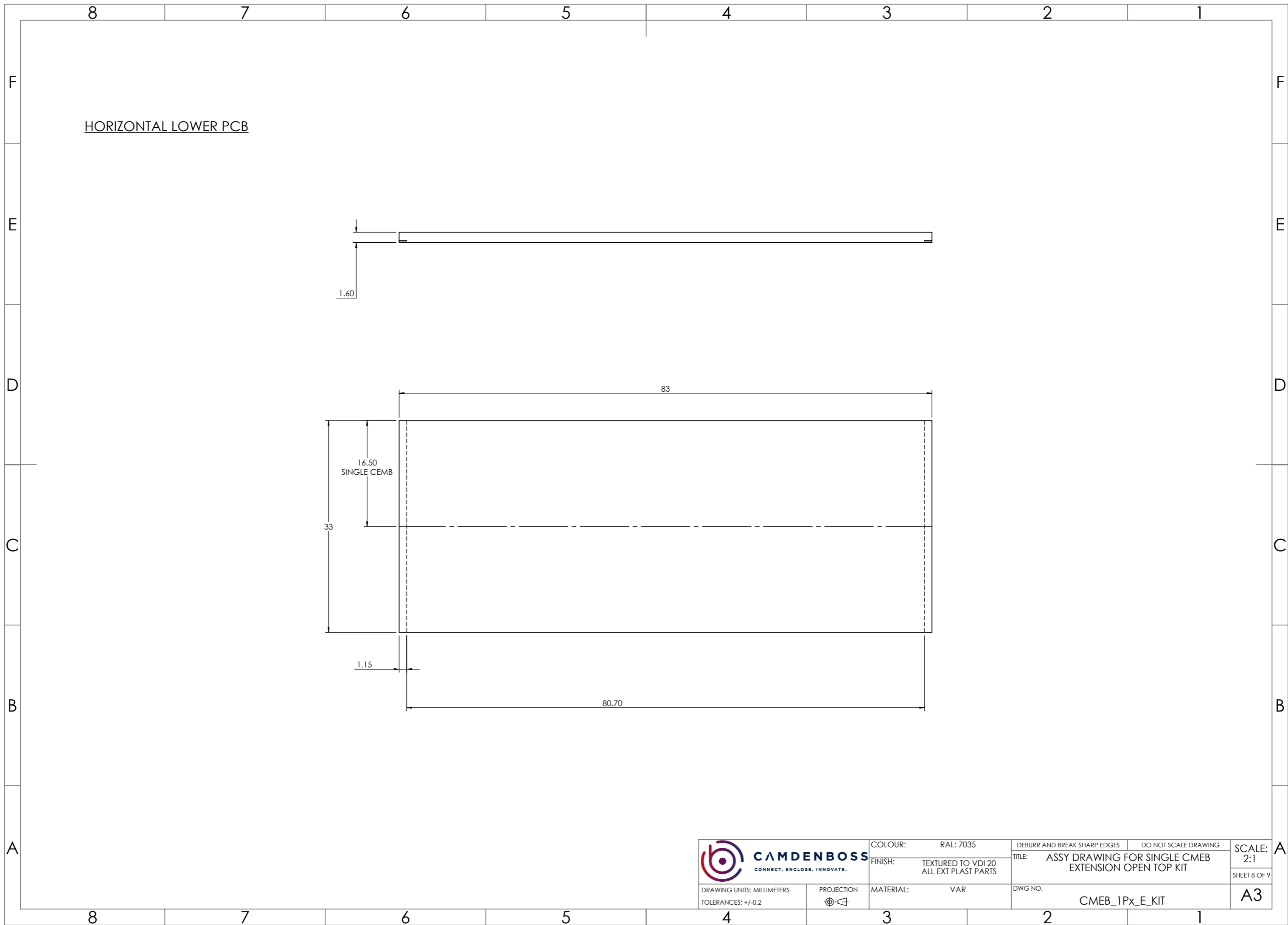
16.50
SINGLE CMEB

33

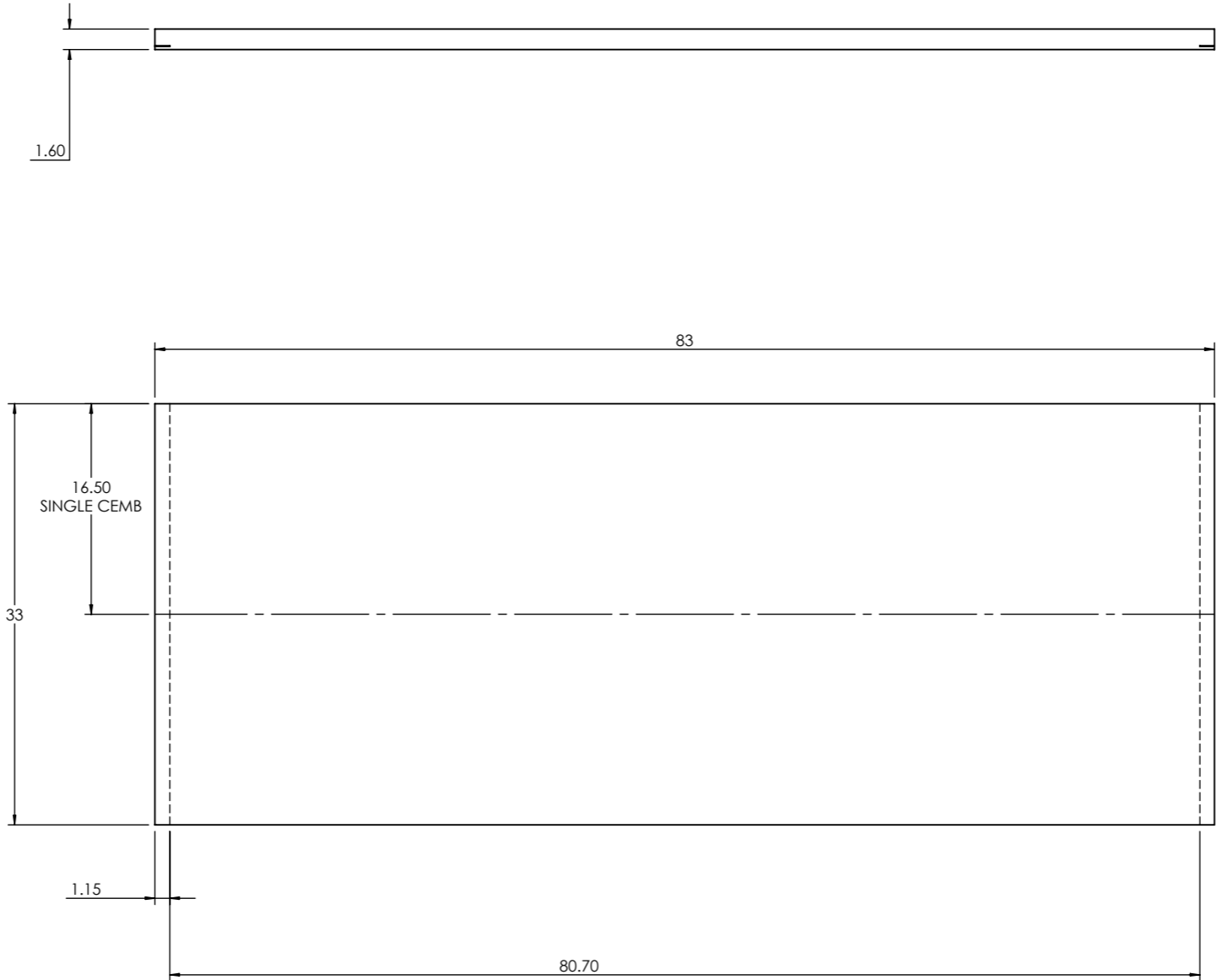
1.50

81.70

 CAMDENBOSS <small>CONNECT. ENCLOSE. INNOVATE.</small>	COLOUR: RAL: 7035	DEBURR AND BREAK SHARP EDGES	DO NOT SCALE DRAWING	SCALE: 2:1 <small>SHEET 7 OF 9</small>
	FINISH: TEXTURED TO VDI 20 ALL EXT PLAST PARTS	TITLE: ASSY DRAWING FOR SINGLE CMEB EXTENSION OPEN TOP KIT		
DRAWING UNITS: MILLIMETERS TOLERANCES: +/-0.2	PROJECTION 	MATERIAL: VAR	DWG NO. CMEB_1Px_E_KIT	A3



HORIZONTAL LOWER PCB



DRAWING UNITS: MILLIMETERS
TOLERANCES: +/-0.2

COLOUR: RAL: 7035
FINISH: TEXTURED TO VDI 20
ALL EXT PLAST PARTS

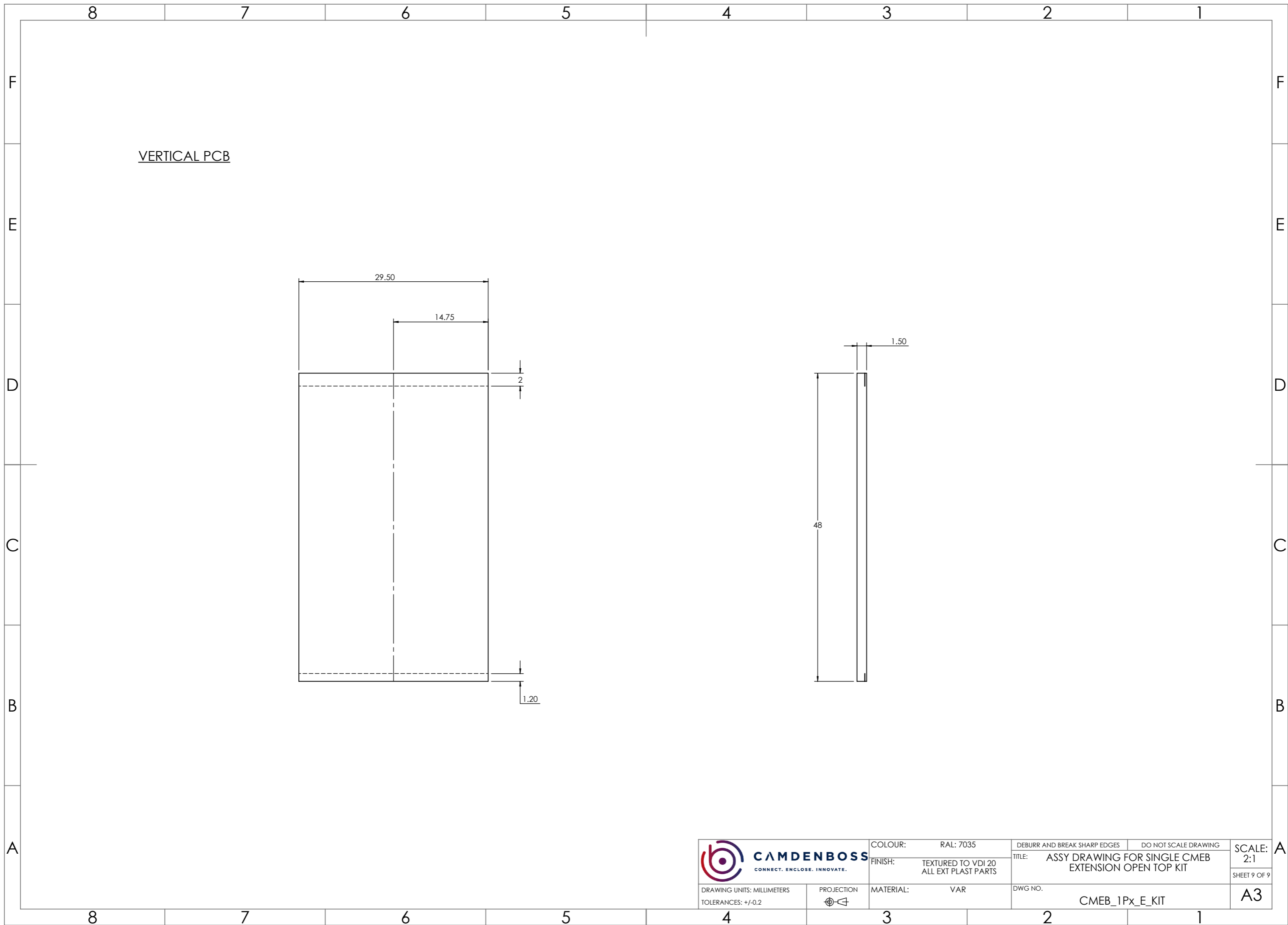
PROJECTION
MATERIAL: VAR

DEBURR AND BREAK SHARP EDGES
DO NOT SCALE DRAWING
TITLE: ASSY DRAWING FOR SINGLE CMEB
EXTENSION OPEN TOP KIT

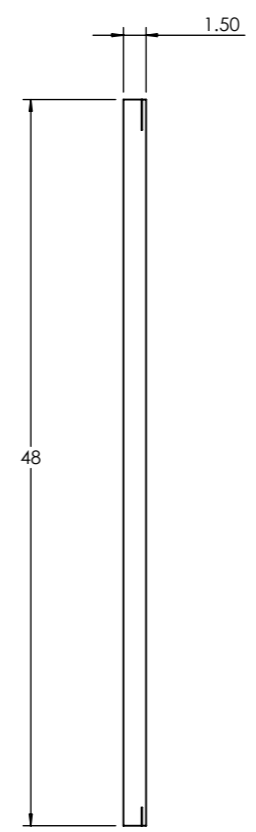
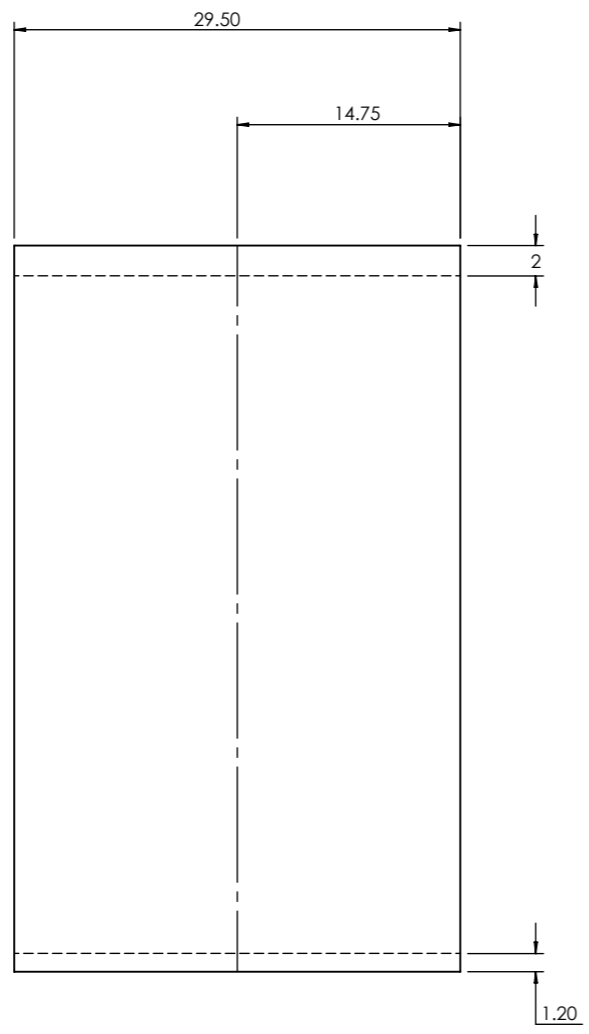
DWG NO. CMEB_1Px_E_KIT


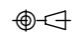
SCALE: 2:1
SHEET 8 OF 9

A3



VERTICAL PCB



 CAMDENBOSS <small>CONNECT. ENCLOSE. INNOVATE.</small>	COLOUR: RAL: 7035	DEBURR AND BREAK SHARP EDGES	DO NOT SCALE DRAWING	SCALE: 2:1 <small>SHEET 9 OF 9</small>
	FINISH: TEXTURED TO VDI 20 ALL EXT PLAST PARTS	TITLE: ASSY DRAWING FOR SINGLE CMEB EXTENSION OPEN TOP KIT		
<small>DRAWING UNITS: MILLIMETERS</small> <small>TOLERANCES: +/-0.2</small>	<small>PROJECTION</small> 	MATERIAL: VAR	DWG NO. CMEB_1Px_E_KIT	A3