

1 2 3 4 5 6

A

A

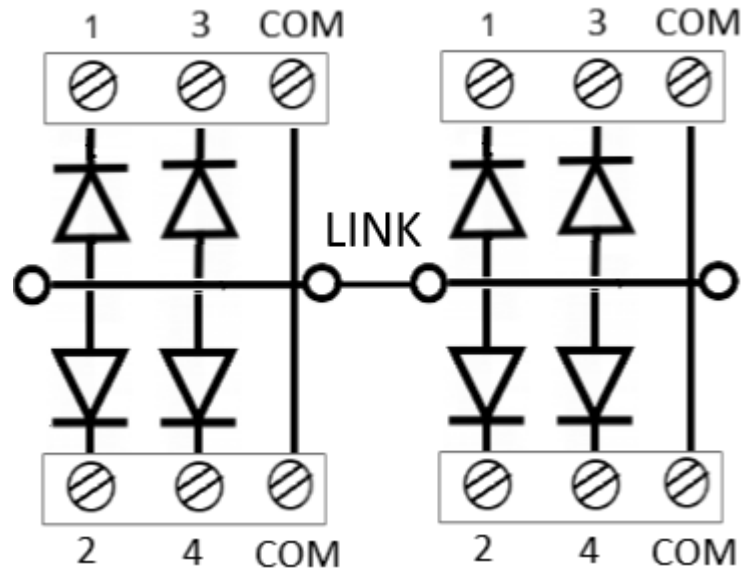
B



B

C

C

D



 CAMDENBOSS CONNECT. ENCLOSE. INNOVATE. JAMES CARTER RD, MILDENHALL, SUFFOLK. IP28 7DE TEL: 01638 716101 FAX: 01638 716554 EMAIL: Sales@CamdenBoss.com WEB: www.CamdenBoss.com		UNLESS OTHERWISE SPECIFIED: DIMENSIONS ARE IN MILLIMETERS	GENERAL TOLERANCES +/- 0.2	REVISION. -
		FINISH. -	TITLE: -	
		COLOUR. -	DWG NO.	
	NAME	SIGNED	DATE	A4
DRAWN			-	
CHKD	-	-	-	PROJECTION. 
			SCALE. -	SHEET 1 OF 1
				DO NOT SCALE DRAWING

1 2 3