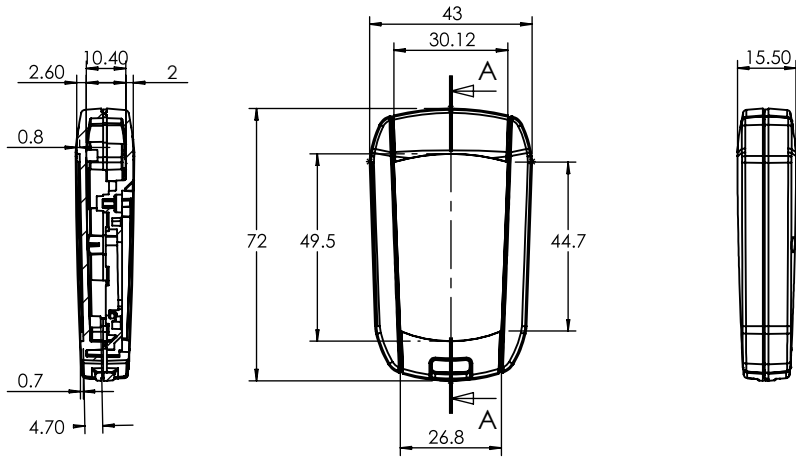
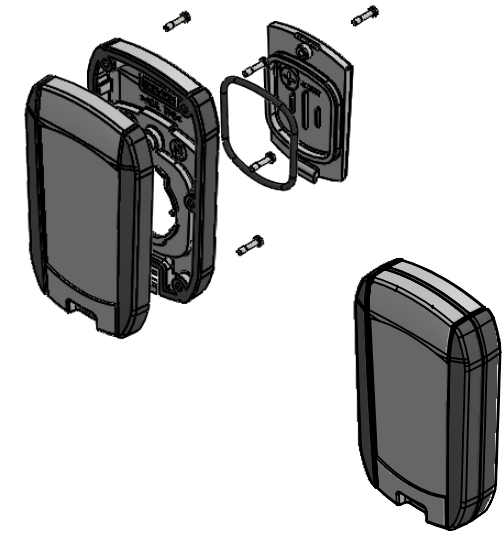
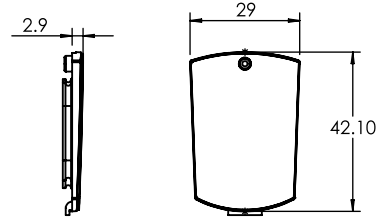


ISO VIEW
1:2



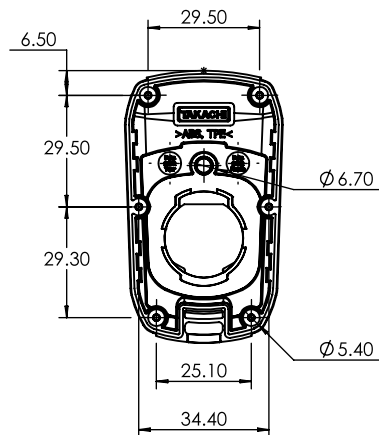
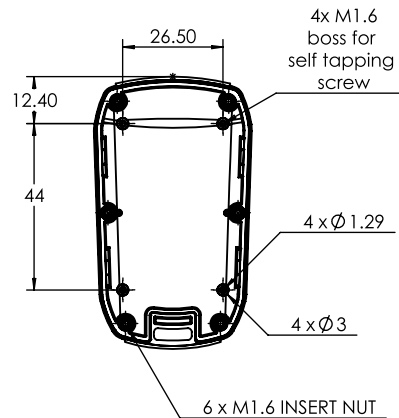
SECTION A-A
SCALE 1 : 2

BATTERY LID



TOP COVER

BOTTOM COVER



TECHINCAL DATA	
PROTECTION	IP67
OPERATING TEMPERATURE	-10°C ~ +50°C
RECOMMENDED TORQUE	0.06 ~ 0.08Nm
BATTERY COMPARTMENT TYPE	CR2032 x1

<p>CAMDENBOSS JAMES CARTER RD, MILDENHALL, SUFFOLK. IP28 7DE TEL: 01638 716101 FAX: 01638 716554 EMAIL: Sales@CamdenBoss.com WEB: www.CamdenBoss.com</p>		UNLESS OTHERWISE SPECIFIED: DIMENSIONS ARE IN MILLIMETERS	DO NOT SCALE DRAWING	REVISION.
		GENERAL TOLERANCES +/- 0.2	TITLE: DIMENSIONED GENERAL DRAWING FOR 93 SERIES - IP67 PORTABLE CASE SIZE 1 BATTERY COMPARTMENT	
		FINISH. LIGHT SPARK	DWG NO.	CHH931BWG
NAME	SIGNED	DATE	MATERIAL.	A4
DRAWN IAN PAGANO	I.P.	18/01/16	BODY - ABS UL 94 - HB GASKET - SILICONE	
CHK'D Alex G.	A.G.	20/09/17	PROJECTION.	SCALE: 1:1
			SHEET 1 OF 1	