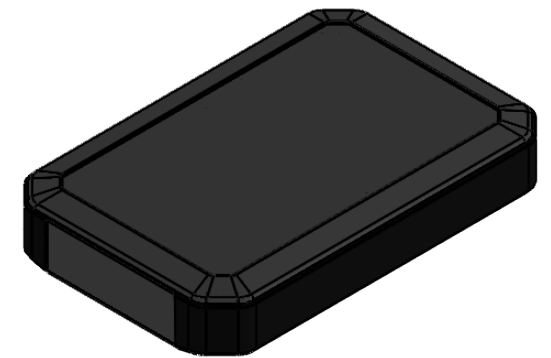
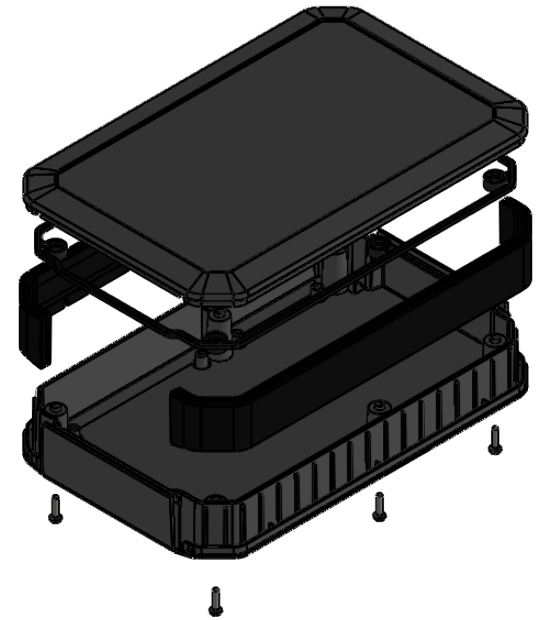




SECTION A-A

SECTION B-B



 <b>CAMDENBOSS</b> CONNECT. ENCLOSE. INNOVATE. JAMES CARTER RD, MILDENHALL, SUFFOLK. IP28 7DE TEL: 01638 716101 FAX: 01638 716554 EMAIL: Sales@CamdenBoss.com WEB: www.CamdenBoss.com		UNLESS OTHERWISE SPECIFIED: DIMENSIONS ARE IN MILLIMETERS		GENERAL TOLERANCES +/- 0.2		REVISION. ○					
		FINISH: FINE TEXTURE		TITLE: <b>90 SERIES, SIZE 9, 191x126x33</b>							
DRAWN LEWIS LETCHFORD		SIGNED L.L.		DATE 20/12/18		MATERIAL: ABS UL94-V0		DWG NO. <b>CHH909NBB</b>		A4	
CHK'D -		-		-		PROJECTION. 		SCALE. -		SHEET 1 OF 1 DO NOT SCALE DRAWING	