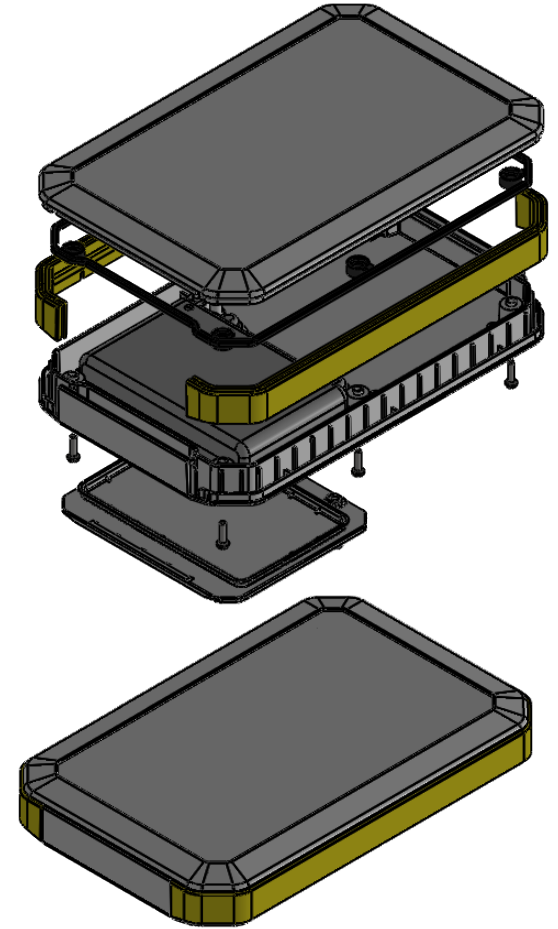


ISO VIEW
1:3



CAMDENBOSS
CONNECT. ENCLOSE. INNOVATE.

JAMES CARTER RD, MILDENHALL, SUFFOLK. IP28 7DE
TEL: 01638 716101 FAX: 01638 716554
EMAIL: Sales@CamdenBoss.com
WEB: www.CamdenBoss.com

UNLESS OTHERWISE SPECIFIED:
DIMENSIONS ARE IN MILLIMETERS

GENERAL TOLERANCES +/- 0.2

REVISION: ○

FINISH:
FINE TEXTURE
COLOUR:
BLACK/YELLOW

TITLE:
90 SEIRES, SIZE 8, 6xAAA,
191x126x25

	NAME	SIGNED	DATE
DRAWN	LEWIS LETCHFORD	L.L	13/12/18
CHKD	-	-	-

MATERIAL:
ABS UL94-V0
PROJECTION:

DWG NO. CHH908GBY A4
SCALE: - SHEET 1 OF 1 DO NOT SCALE DRAWING