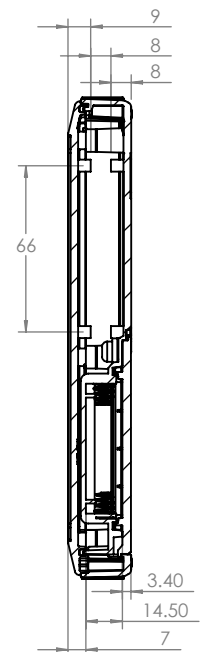
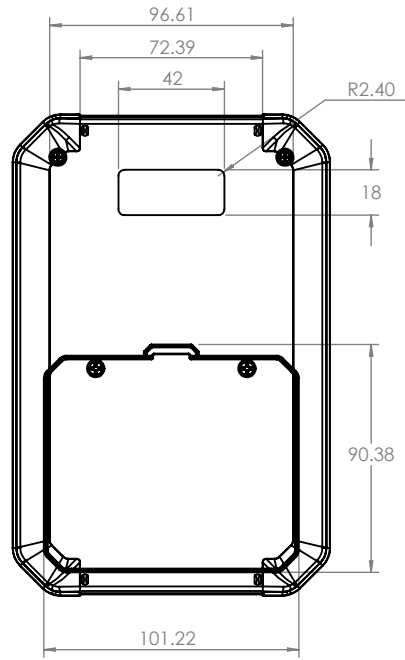


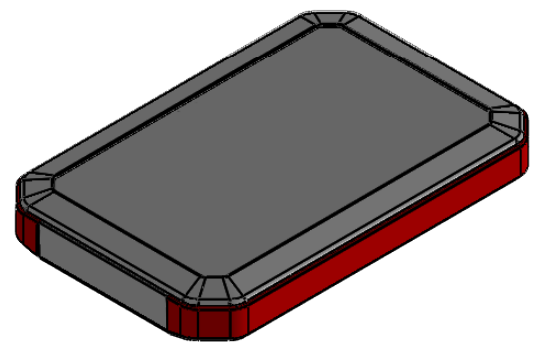
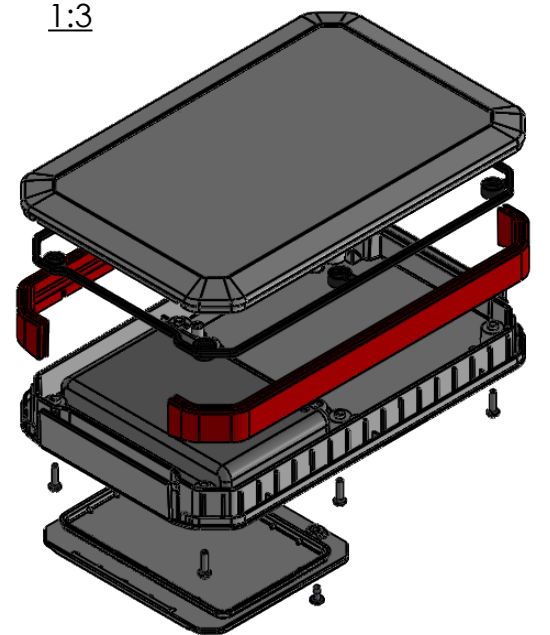
SECTION B-B



SECTION A-A



ISO VIEW
1:3



CAMDENBOSS
CONNECT. ENCLOSE. INNOVATE.

JAMES CARTER RD, MILDENHALL, SUFFOLK. IP28 7DE
TEL: 01638 716101 FAX: 01638 716554
EMAIL: Sales@CamdenBoss.com
WEB: www.CamdenBoss.com

UNLESS OTHERWISE SPECIFIED:
DIMENSIONS ARE IN MILLIMETERS

FINISH:
FINE TEXTURE

COLOUR:
BLACK/RED

MATERIAL:
ABS UL94-V0

PROJECTION:

GENERAL TOLERANCES +/- 0.2

REVISION:

TITLE: 90 SERIES, SIZE 8, 6xAAA,
191x126x25

	NAME	SIGNED	DATE
DRAWN	LEWIS LETCHFORD	L.L	13/12/18
CHK'D	-	-	-

DWG NO. CHH908GBR

SCALE: - SHEET 1 OF 1 DO NOT SCALE DRAWING

A4