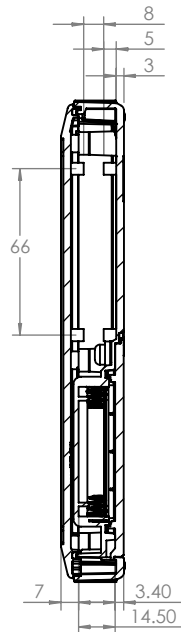
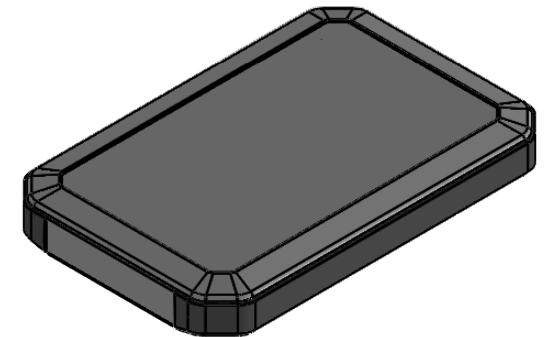
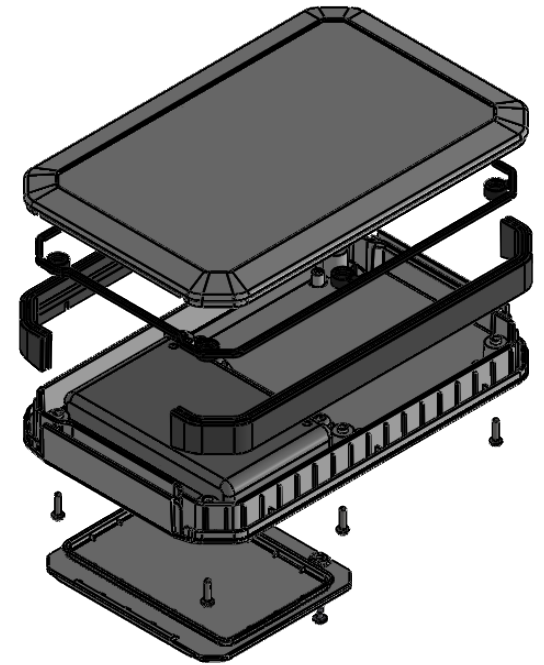
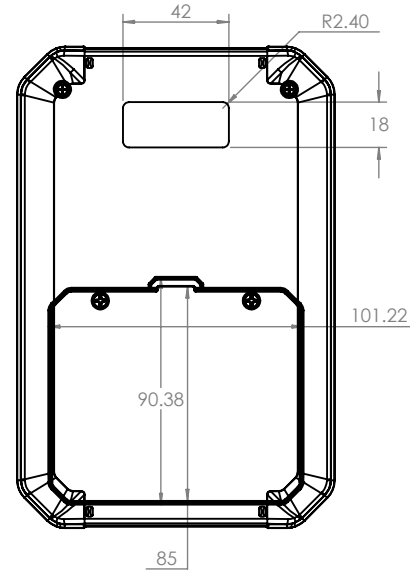


SECTION B-B



SECTION A-A



CAMDENBOSS
 CONNECT. ENCLOSE. INNOVATE.
 JAMES CARTER RD, MILDENHALL, SUFFOLK. IP28 7DE
 TEL: 01638 716101 FAX: 01638 716554
 EMAIL: Sales@CamdenBoss.com
 WEB: www.CamdenBoss.com

UNLESS OTHERWISE SPECIFIED:
 DIMENSIONS ARE IN MILLIMETERS

GENERAL TOLERANCES +/- 0.2

REVISION. ○

FINISH.
 FINE TEXTURE

TITLE:
 90 SERIES, SIZE 8, 6xAAA,
 191x126x25

COLOUR.
 BLACK/GREY

DWG NO. **CHH908GBG** A4

	NAME	SIGNED	DATE
DRAWN	LEWIS LETCHFORD	L.L.	13/12/18
CHKD	-	-	-

MATERIAL.
 ABS UL94-V0

PROJECTION.

SCALE. - SHEET 1 OF 1 DO NOT SCALE DRAWING