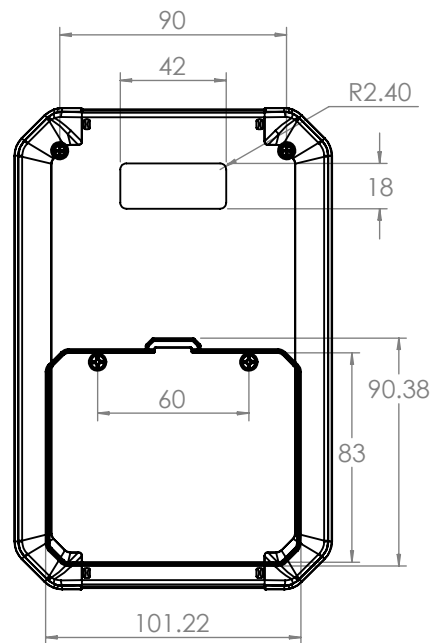
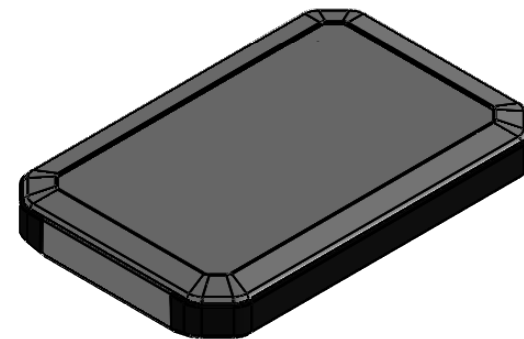
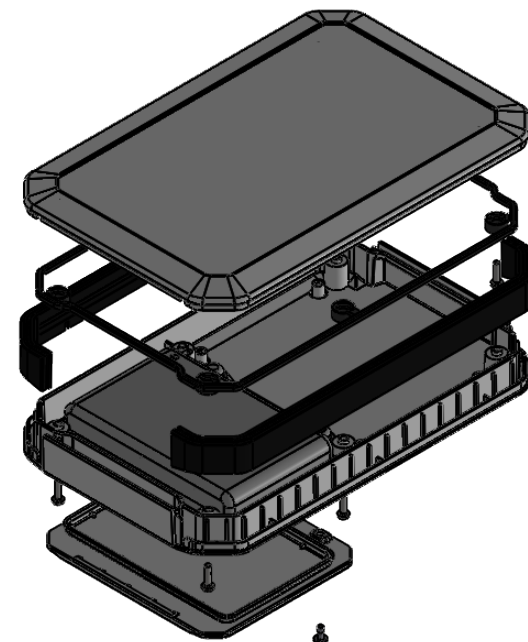


SECTION A-A



SECTION B-B



CAMDENBOSS
CONNECT. ENCLOSE. INNOVATE.

JAMES CARTER RD, MILDENHALL, SUFFOLK. IP28 7DE
TEL: 01638 716101 FAX: 01638 716554
EMAIL: Sales@CamdenBoss.com
WEB: www.CamdenBoss.com

UNLESS OTHERWISE SPECIFIED:
DIMENSIONS ARE IN MILLIMETERS

GENERAL TOLERANCES +/- 0.2

REVISION.



FINISH:
FINE TEXTURE

TITLE:

90 SERIES, SIZE 8, 6xAAA
191x126x25

COLOUR:
BLACK/BLACK

DWG NO.

CHH908GBB

A4

	NAME	SIGNED	DATE
DRAWN	LEWIS LETCHFORD	L.L	13/12/18
CHKD	-	-	-

MATERIAL:
ABS UL94-V0

PROJECTION.



SCALE. -

SHEET 1 OF 1

DO NOT SCALE DRAWING